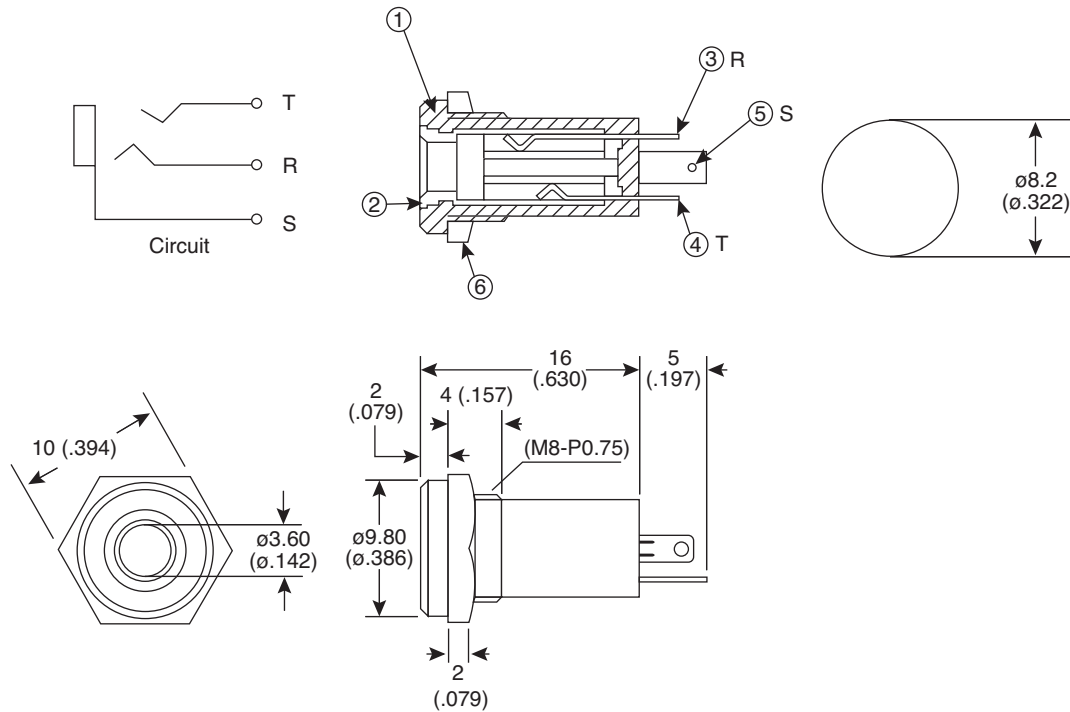


# 3.5mm Stereo Jack

161-7300-EX



3.5mm Stereo Jack



**DIMENSIONS mm (in.)**  
(except where noted)

SPECIFICATIONS	
<b>Rating:</b>	1A 34 VAC/DC
<b>Dielectric Strength:</b>	500VAC for 1 minute
<b>Contact Resistance:</b>	50mΩ max.
<b>Insulation Resistance:</b>	100MΩ min. @500VDC
<b>Mating Plugs:</b>	17PP004-EX, 171-3300-EX, 171-3301-EX, 171-3308-EX
<b>RoHS Compliant by Exemption</b>	

6	Hex Nut	Steel	1	Ni
5	Contact C	BSR t=0.3	1	Ni
4	Contact B	FAB-EH t=0.25	1	Ni
3	Contact A	FAB-EH t=0.25	1	Au
2	Sleeve	BSBM	1	Au
1	Housing	PA	1	

Date Last Revised: 11-22-10

Available from Mouser Electronics  
1-800-346-6873 / [www.mouser.com](http://www.mouser.com)

KC-300829

161-7300-EX

# Mouser Electronics

Authorized Distributor

Click to View Pricing, Inventory, Delivery & Lifecycle Information:

[Kobiconn:](#)

[161-7300-EX](#)