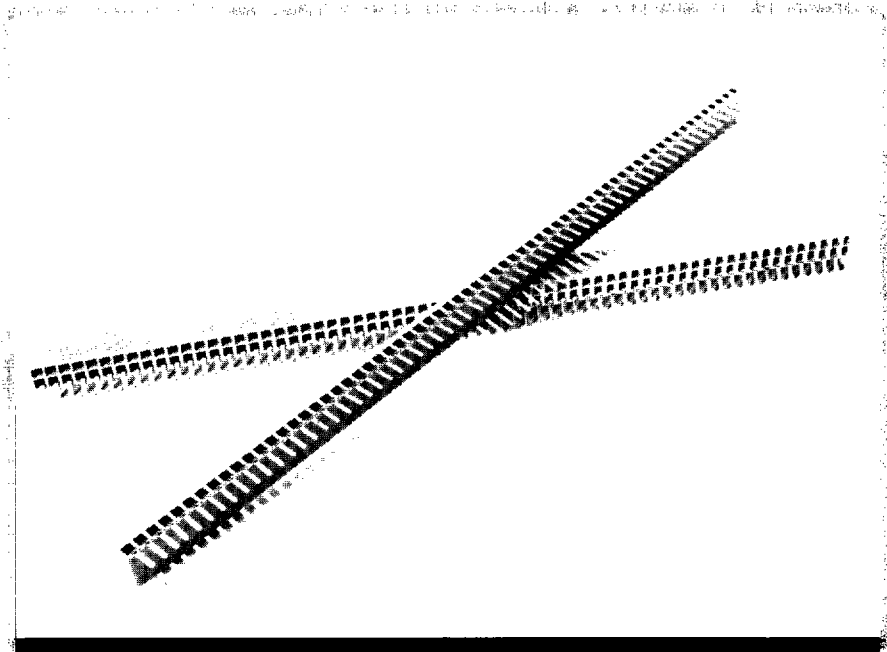


MIL-C-55302/127,/128



BOX CONNECTORS:

Box contact connectors are available in horizontal, vertical, or reverse entry in several grid configurations. The single and double row connectors exhibit high reliability through the use of a four sided contact design. Optional tail lengths, plating, and contact material are available upon request.

FEATURES:

- ▶ Selective gold or tin lead plating
- ▶ Optional beryllium contacts
- ▶ Mil qualified to 55302/127,/128
- ▶ Overstress safeguard
- ▶ DAP insulator

CTS® Corporation, Connector Division

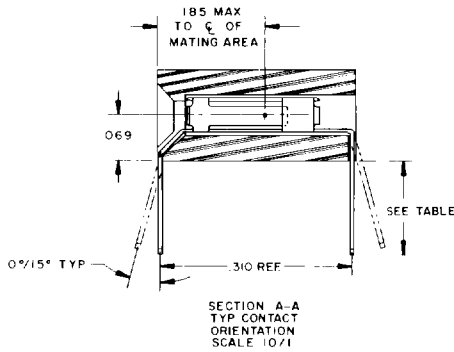
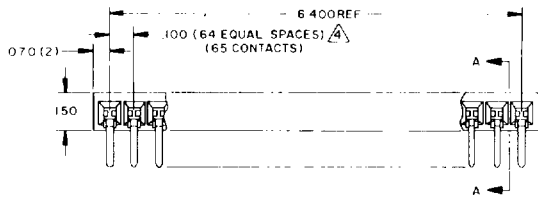
9210 Science Center Drive New Hope, MN 55428

Phone (612) 533-3533

FAX (612) 536-0349

dba CTS ELECTRONICS CORPORATION

CTSCS050*



MIL-C-55302/127-XXXX

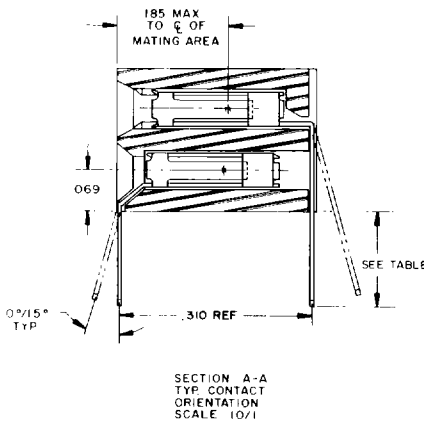
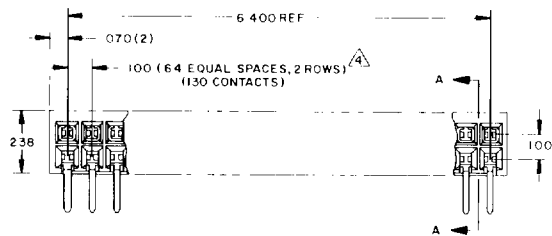
Single Row, 100 Centers Horizontal Entry

NOTES:

1. MATERIAL:
 - A. INSULATOR-DIALLYL PHTHALATE,TYPE SDG-F PER MIL-M-14, COLOR-STD BLUE,OTHERS AVAILABLE.
 - B. CONTACT-BERYLLIUM COPPER,ALLOY 170 OR 172 PER QQ-C-533 OR PHOSPHER BRONZE PER QQ-B-750.

2. CONTACT TAILS TO BE SOLDERABLE PER MIL-STD-202, METHOD 208.
3. INDIVIDUAL CONTACT ENGAGEMENT AND SEPARATION FORCE:
 - A. THE MAXIMUM CONTACT ENGAGEMENT FORCE TO BE 6 OZ.
 - B. THE MINIMUM CONTACT SEPARATION FORCE TO BE .75 OZ.

4 THIS ASSEMBLY IS AVAILABLE IN LENGTHS FROM 2 TO 65 CONTACT POSITIONS.



MIL-C-55302/128-XXXX

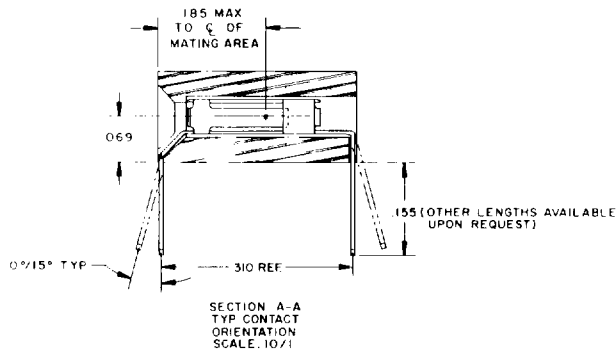
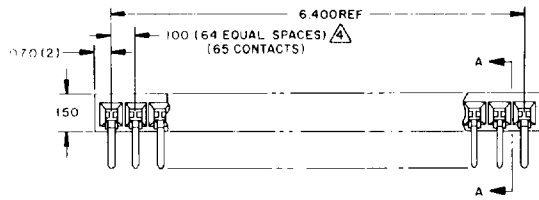
2 Row, .100 X .100 Mating Horizontal Entry

NOTES:

1. MATERIAL:
 - A. INSULATOR-DIALLYL PHTHALATE,TYPE SDG-F PER MIL-M-14, COLOR-STD BLUE,OTHERS AVAILABLE.
 - B. CONTACT-BERYLLIUM COPPER,ALLOY 170 OR 172 PER QQ-C-533 OR PHOSPHER BRONZE PER QQ-B-750.

2. CONTACT TAILS TO BE SOLDERABLE PER MIL-STD-202, METHOD 208.
3. INDIVIDUAL CONTACT ENGAGEMENT AND SEPARATION FORCE:
 - A. THE MAXIMUM CONTACT ENGAGEMENT FORCE TO BE 6 OZ.
 - B. THE MINIMUM CONTACT SEPARATION FORCE TO BE .75 OZ.

4 THIS ASSEMBLY IS AVAILABLE IN LENGTHS FROM 4 TO 130 CONTACT POSITIONS.



P.N. 200719

Single Row, .100 Centers Horizontal Entry

NOTES:

1. MATERIAL:

A. INSULATOR-DIALLYL PHTHALATE, TYPE SDG-F PER MIL-M-14, COLOR-STD BLUE, OTHERS AVAILABLE.

B. CONTACT-BERYLLIUM COPPER, ALLOY 170 OR 172 PER QQ-C-533.

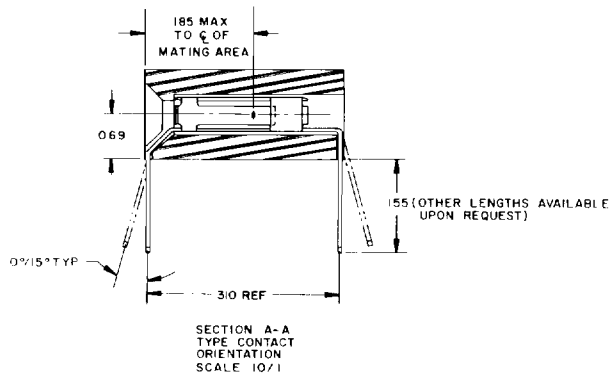
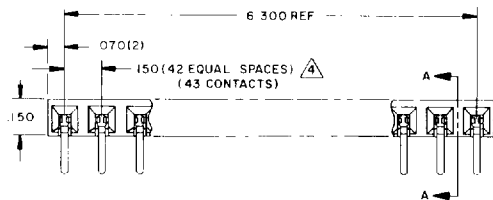
1. FINISH-NICKEL PLATE ENTIRE CONTACT .000050 MINIMUM THICK PER QQ-N-290, CLASS I. GOLD PLATE .000005 MINIMUM OVER ENTIRE CONTACT AND SELECTIVELY GOLD PLATE .000030 MINIMUM IN THE MATING AREA. OTHER PLATINGS AVAILABLE INCLUDING TIN/LEAD ON THE CONTACT TAILS.

2. CONTACT TAILS TO BE SOLDERABLE PER MIL-STD-202, METHOD 208.

3. INDIVIDUAL CONTACT ENGAGEMENT AND SEPARATION FORCE:

- A. THE MAXIMUM CONTACT ENGAGEMENT FORCE TO BE 6 OZ.
- B. THE MINIMUM CONTACT SEPARATION FORCE TO BE .75 OZ.

△ THIS ASSEMBLY IS AVAILABLE IN LENGTHS FROM 2 TO 65 CONTACT POSITIONS.



P.N. 200720

Single Row, .150 Centers Horizontal Entry

NOTES:

1. MATERIAL:

A. INSULATOR-DIALLYL PHTHALATE, TYPE SDG-F PER MIL-M-14, COLOR-STD BLUE, OTHERS AVAILABLE.

B. CONTACT-BERYLLIUM COPPER, ALLOY 170 OR 172 PER QQ-C-533.

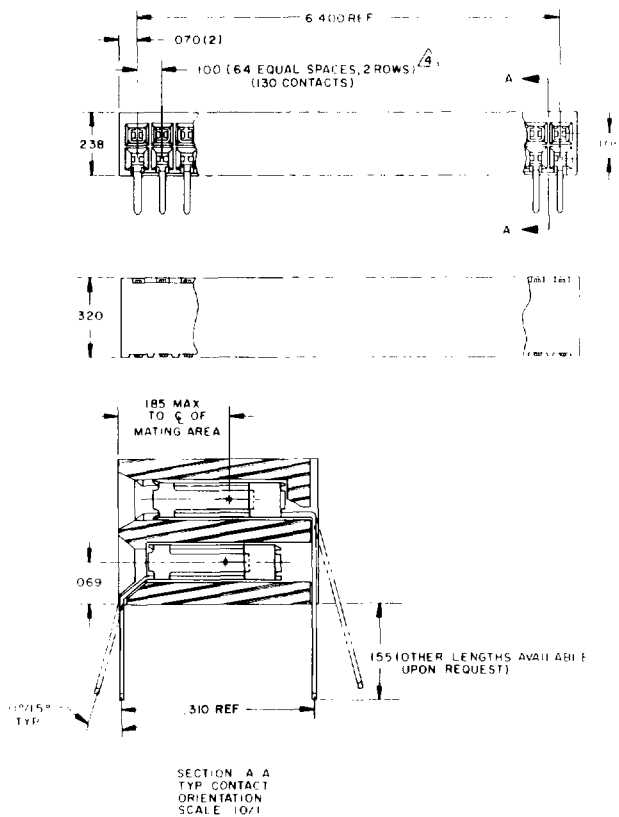
1. FINISH-NICKEL PLATE ENTIRE CONTACT MINIMUM .000050 THICK PER QQ-N-290, CLASS I. GOLD PLATE .000005 MINIMUM OVER ENTIRE CONTACT AND SELECTIVELY GOLD PLATE .000030 MINIMUM IN THE MATING AREA. OTHER PLATINGS AVAILABLE INCLUDING TIN/LEAD ON THE CONTACT TAILS.

2. CONTACT TAILS TO BE SOLDERABLE PER MIL-STD-202, METHOD 208.

3. INDIVIDUAL CONTACT ENGAGEMENT AND SEPARATION FORCE:

- A. THE MAXIMUM CONTACT ENGAGEMENT FORCE TO BE 6 OZ.
- B. THE MINIMUM CONTACT SEPARATION FORCE TO BE .75 OZ.

△ THIS ASSEMBLY IS AVAILABLE IN LENGTHS FROM 2 TO 43 CONTACT POSITIONS.

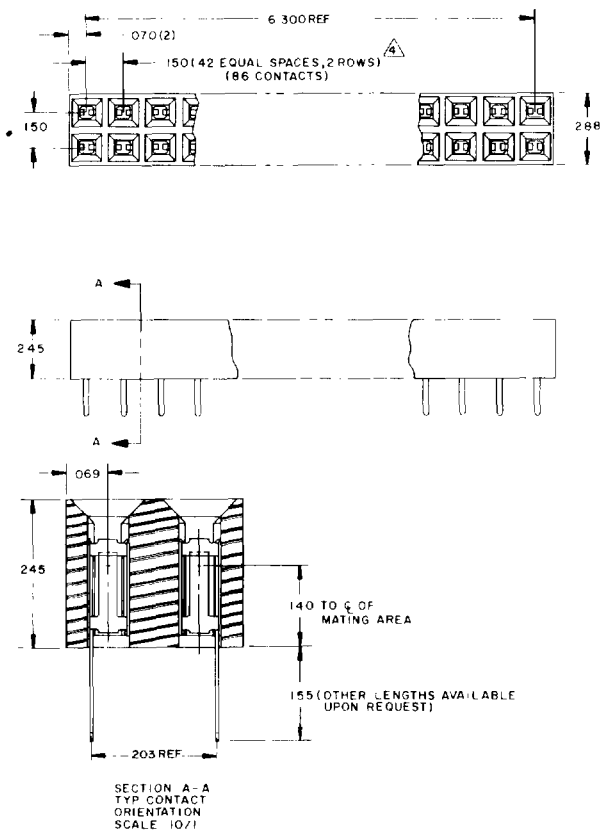


P.N. 200723
2 Row, .100 X .100 Mating
Horizontal Entry

NOTES:

1. MATERIAL:
 - A. INSULATOR-DIALLYL PHTHALATE, TYPE SDG-F PER MIL-M-14, COLOR-STD BLUE, OTHERS AVAILABLE.
 - B. CONTACT-BERYLLIUM COPPER, ALLOY 170 OR 172 PER QQ-C-533.
 - C. FINISH-NICKEL PLATE ENTIRE CONTACT .000050 MINIMUM THICK PER QQ-N-290, CLASS I. GOLD PLATE .000005 MINIMUM OVER ENTIRE CONTACT AND SELECTIVELY GOLD PLATE .000030 MINIMUM IN THE MATING AREA. OTHER PLATINGS AVAILABLE INCLUDING TIN/LEAD ON THE CONTACT TAILS.
2. CONTACT TAILS TO BE SOLDERABLE PER MIL-STD-202, METHOD 208.
3. INDIVIDUAL CONTACT ENGAGEMENT AND SEPARATION FORCE:
 - A. THE MAXIMUM CONTACT ENGAGEMENT FORCE TO BE 6 OZ.
 - B. THE MINIMUM CONTACT SEPARATION FORCE TO BE .75 OZ.

△ THIS ASSEMBLY IS AVAILABLE IN LENGTHS FROM 4 TO 130 CONTACT POSITIONS.

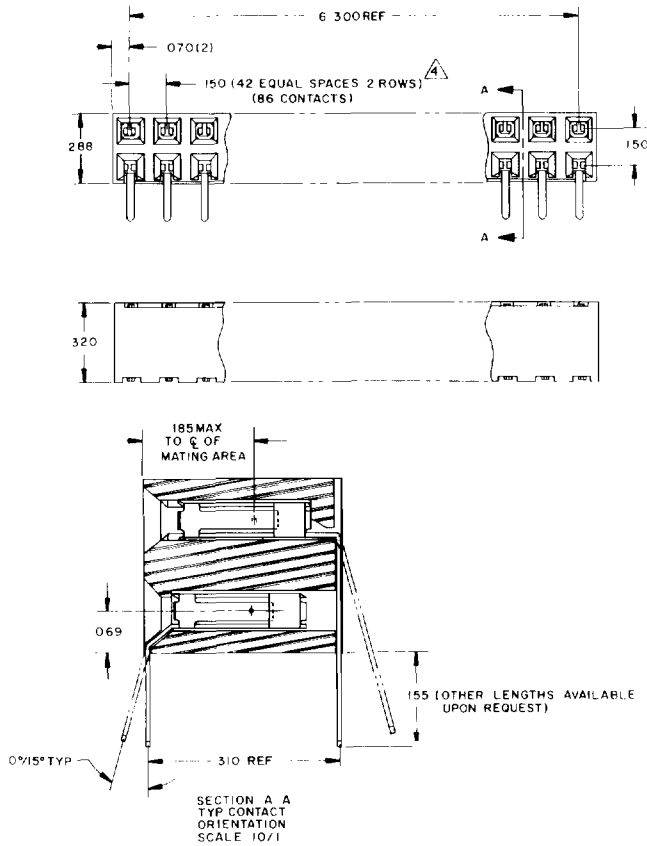


P.N. 200725
2 Row, .150 X .150 Mating
Reverse Entry

NOTES:

1. MATERIAL:
 - A. INSULATOR-DIALLYL PHTHALATE, TYPE SDG-F PER MIL-M-14, COLOR-STD BLUE, OTHERS AVAILABLE.
 - B. CONTACT-BERYLLIUM COPPER, ALLOY 170 OR 172 PER QQ-C-533.
 - C. FINISH-NICKEL PLATE ENTIRE CONTACT .000050 MINIMUM THICK PER QQ-N-290, CLASS I. GOLD PLATE .000005 MINIMUM OVER ENTIRE CONTACT AND SELECTIVELY GOLD PLATE .000030 MINIMUM IN THE MATING AREA. OTHER PLATINGS AVAILABLE INCLUDING TIN/LEAD ON THE CONTACT TAILS.
2. CONTACT TAILS TO BE SOLDERABLE PER MIL-STD-202, METHOD 208.
3. INDIVIDUAL CONTACT ENGAGEMENT AND SEPARATION FORCE:
 - A. THE CONTACT ENGAGEMENT FORCE TO BE 6 ± 4 OZ.
 - B. THE MINIMUM CONTACT SEPARATION FORCE TO BE 1 OZ.

△ THIS ASSEMBLY IS AVAILABLE IN LENGTHS FROM 4 TO 86 CONTACT POSITIONS.



P.N. 200721

2 Row, .150 X .150 Mating
Horizontal Entry

NOTES:

1. MATERIAL:

A. INSULATOR-DIALLYL PHTHALATE, TYPE SDG-F PER MIL-M-14, COLOR-STD BLUE, OTHERS AVAILABLE.

B. CONTACT-BERYLLIUM COPPER, ALLOY 170 OR 172 PER QQ-C-533.

1. FINISH-NICKEL PLATE ENTIRE CONTACT .000050 MINIMUM THICK PER QQ-N-290, CLASS I. GOLD PLATE .000005 MINIMUM OVER ENTIRE CONTACT AND SELECTIVELY GOLD PLATE .000030 MINIMUM IN THE MATING AREA. OTHER PLATINGS AVAILABLE INCLUDING TIN/LEAD ON THE CONTACT TAILS.

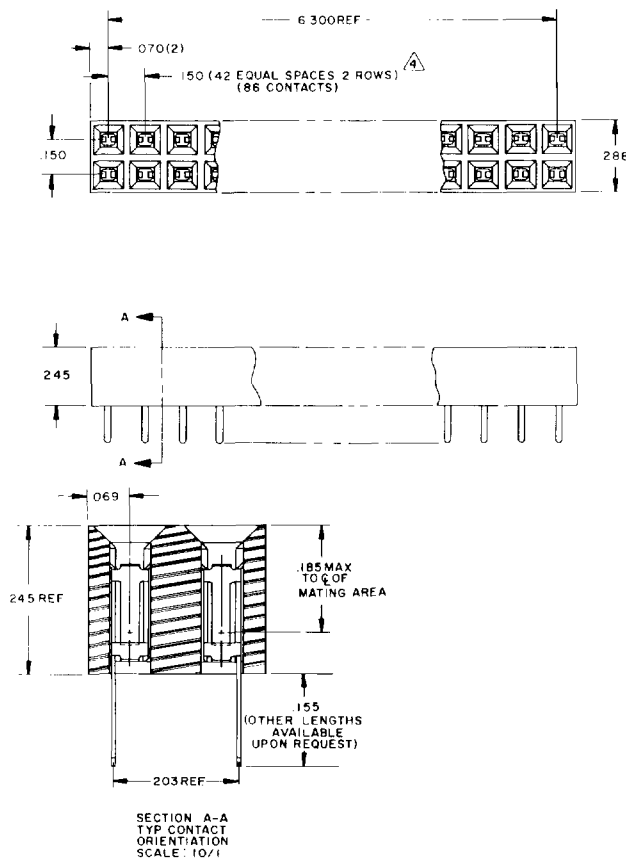
2. CONTACT TAILS TO BE SOLDERABLE PER MIL-STD-202, METHOD 208.

3. INDIVIDUAL CONTACT ENGAGEMENT AND SEPARATION FORCE:

A. THE MAXIMUM CONTACT ENGAGEMENT FORCE TO BE 6 OZ.

B. THE MINIMUM CONTACT SEPARATION FORCE TO BE .75 OZ.

⚠ THIS ASSEMBLY IS AVAILABLE IN LENGTHS FROM 4 TO 86 CONTACT POSITIONS.



P.N. 200722

2 Row, .150 X .150 Mating
Vertical Entry

NOTES:

1. MATERIAL:

A. INSULATOR-DIALLYL PHTHALATE, TYPE SDG-F PER MIL-M-14, COLOR-STD BLUE, OTHERS AVAILABLE.

B. CONTACT-BERYLLIUM COPPER, ALLOY 170 OR 172 PER QQ-C-533.

1. FINISH-NICKEL PLATE ENTIRE CONTACT .000050 MINIMUM THICK PER QQ-N-290, CLASS I. GOLD PLATE .000005 MINIMUM OVER ENTIRE CONTACT AND SELECTIVELY GOLD PLATE .000030 MINIMUM IN THE MATING AREA. OTHER PLATINGS AVAILABLE INCLUDING TIN/LEAD ON THE CONTACT TAILS.

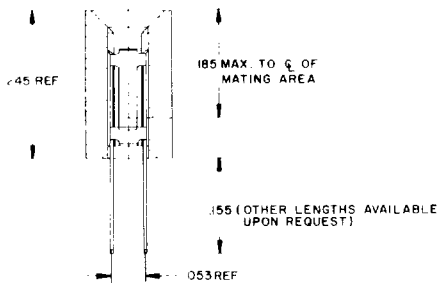
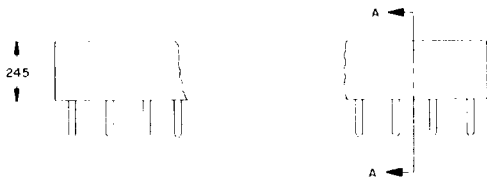
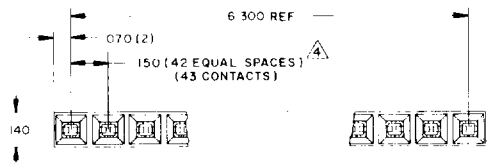
2. CONTACT TAILS TO BE SOLDERABLE PER MIL-STD-202, METHOD 208.

3. INDIVIDUAL CONTACT ENGAGEMENT AND SEPARATION FORCE:

A. THE CONTACT ENGAGEMENT FORCE TO BE 6 ± 4 OZ.

B. THE MINIMUM CONTACT SEPARATION FORCE TO BE 1 OZ.

⚠ THIS ASSEMBLY IS AVAILABLE IN LENGTHS FROM 4 TO 86 CONTACT POSITIONS.



SECTION A-A
TYP CONTACT
ORIENTATION
SCALE 10/1

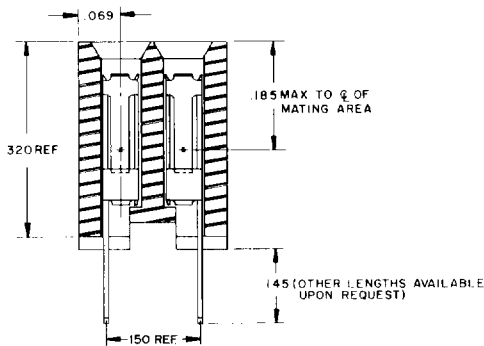
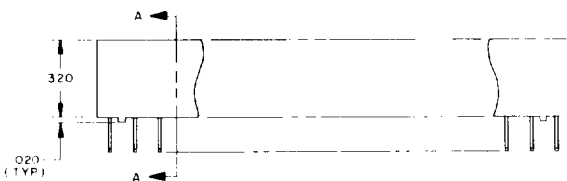
P.N. 200726

Single Row, .150 Centers
Vertical Entry

NOTES:

1. MATERIAL:
 - A. INSULATOR-DIALLYL PHTHALATE, TYPE SDG-F PER MIL-M-14, COLOR-STD-BLUE, OTHERS AVAILABLE.
 - B. CONTACT-BERYLLIUM COPPER, ALLOY 170 OR 172 PER QQ-C-533.
1. FINISH-NICKEL PLATE ENTIRE CONTACT .000050 MINIMUM THICK PER QQ-N-290, CLASS I. GOLD PLATE .000005 MINIMUM OVER ENTIRE CONTACT AND SELECTIVELY GOLD PLATE .000030 MINIMUM IN THE MATING AREA. OTHER PLATINGS AVAILABLE INCLUDING TIN/LEAD ON THE CONTACT TAILS.
2. CONTACT TAILS TO BE SOLDERABLE PER MIL-STD-202, METHOD 208.
3. INDIVIDUAL CONTACT ENGAGEMENT AND SEPARATION FORCE:
 - A. THE CONTACT ENGAGEMENT FORCE TO BE 6 ± 4 OZ.
 - B. THE MINIMUM CONTACT SEPARATION FORCE TO BE 1 OZ.

⚠ THIS ASSEMBLY IS AVAILABLE IN LENGTHS FROM 2 TO 43 CONTACT POSITIONS.



SECTION A-A
TYP CONTACT
ORIENTATION
SCALE 10/1

P.N. 200757

2 Row, .100 X .100 Mating
Vertical Entry

NOTES:

1. MATERIAL:
 - A. INSULATOR-94 V-O RATED, THERMO PLASTIC, COLOR BLACK, OTHERS AVAILABLE.
 - B. CONTACT-BERYLLIUM COPPER, ALLOY 170 OR 172 PER QQ-C-533.
1. FINISH-NICKEL PLATE ENTIRE CONTACT .000050 MINIMUM THICK PER QQ-N-290, CLASS I. GOLD PLATE .000005 MINIMUM OVER ENTIRE CONTACT AND SELECTIVELY GOLD PLATE .000030 MINIMUM IN THE MATING AREA. OTHER PLATINGS AVAILABLE INCLUDING TIN/LEAD ON THE CONTACT TAILS.
2. CONTACT TAILS TO BE SOLDERABLE PER MIL-STD-202, METHOD 208.
3. INDIVIDUAL CONTACT ENGAGEMENT AND SEPARATION FORCE:
 - A. THE MAXIMUM CONTACT ENGAGEMENT FORCE TO BE 8 OZ.
 - B. THE MINIMUM CONTACT SEPARATION FORCE TO BE .75 OZ.

⚠ THIS ASSEMBLY IS AVAILABLE IN LENGTHS FROM 4 TO 38 CONTACT POSITIONS.