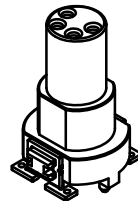
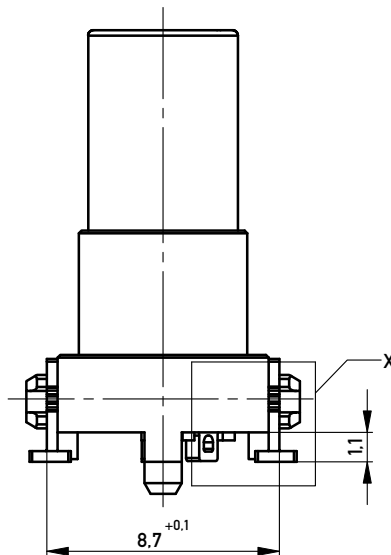
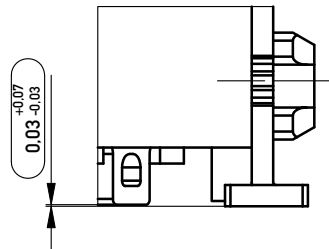
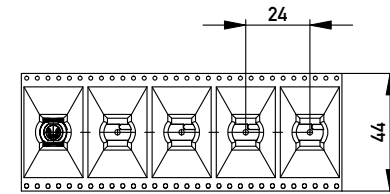
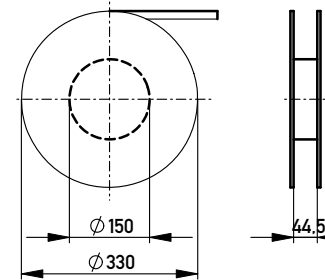


DETAIL X
M 10:1

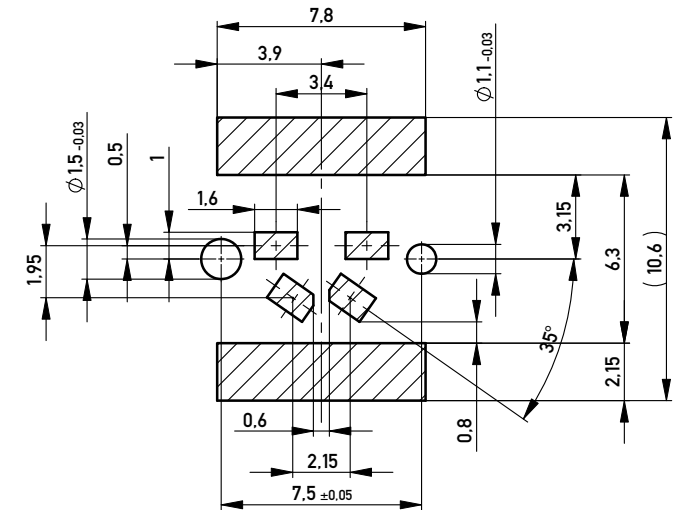


Verpackt in Gurtverpackung - Tape on Reel Packaging
Verpackungseinheit: 100 Stück - Packaging unit: 100 pcs



Abspulrichtung - Reel off Direction

Layout - Vorschlag
PCB - Layout proposal



Koplanarität aller Kontakte und Clip <= 0.1mm
Coplanarity of all contacts and clips <= 0.1mm

234234	M8, 4polig 16.25mm, SMD	Schüttgut /bulk
224151	M8, 4polig 16.25mm, SMD	Gurtverpackung / Tape on Reel Packaging
Ident-Nr.	Mass A	Bemerkung

Information:		Tolerances	Scale 5:1		
All rights reserved. Only for Information. To ensure that this is the latest version of this drawing, please contact one of the ERNI companies before using.		 All Dimensions in mm	Designation		
			Federleiste M8 4polig 16.25mm SMD		
www.ERNI.com		224812		I A3	
i	03.02.2011	Class		M08	

Copyright by ERNI GmbH
Proprietary notice pursuant to ISO 16106 to be observed.