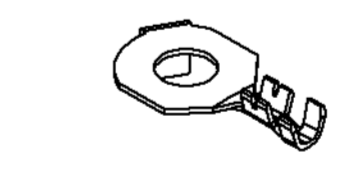
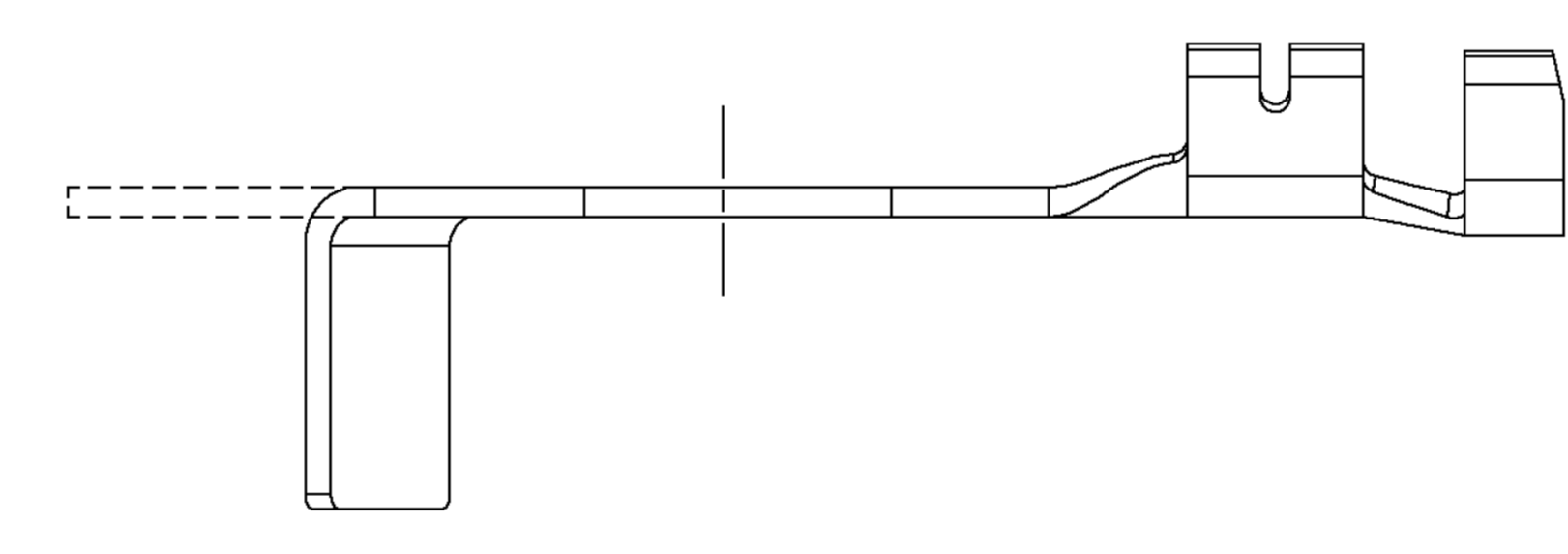
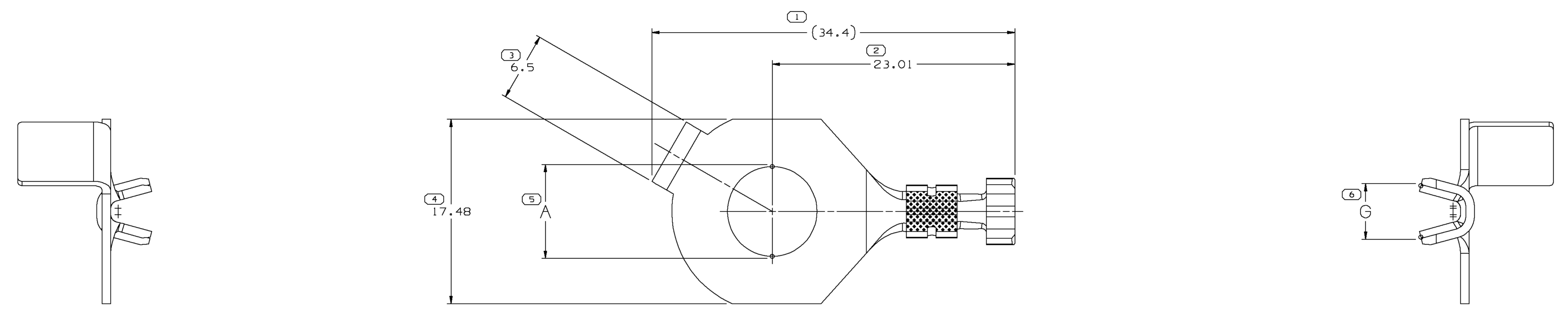


SYMBOL DEFINITION		MISSING NUMBERS	
THE NUMBER INSIDE THE SYMBOL CORRESPONDS TO THE NUMBER ON THE INSPECTION REPORT FOR THIS DRAWING/PART NUMBER	TOTAL NO. OF SYMBOLS ON DRAWING	6	
	LAST NO. USED	6	

DWG STATUS				REVISION HISTORY		AUTH						
DATE	STG	REV	CHG	N/P	ZONE		DR	CK	APVD			
25AU99	R	001	-	-		CLEARED REVISION COLUMN: 15336640 & 15355189 REVISED BENT TAB & MAT'L SPEC			196646	FMO	RMM	EH
25AU99	R	002	-	-		15355120 & 15355190 - OBSOLETE			990003	FMO	RMM	EH
06NO99	R	003	-	-		15373480 - RELEASED			990005	FMO	FKV	EH
26SE00	R	004	-	-		MAT'L SPEC WAS PM001598 962			203587	RAB	TLP	EJH
13NO00	R	005	-	-		15394494 - WAS SEPARATE DWG & MAT'L SPEC WAS PM001598 962			204311	APV	RHC	AK
04DE00	R	006	-	-		ALL ACTIVE PARTS: UPDATED PDM ATTRIBUTES			204981	JMR	JMR	AK
16JAO1	R	007	-	-		15405816 - RELEASED			205924	CJP	CJP	AK
19FEO1	R	008	-	-		15336640, 15355189 AND 15373480 - REVISED MAT'L SPEC AND MAT'L SIZE			207072	JGS	JGS	EH



NOTES
1. UNLESS OTHERWISE SPECIFIED AND/OR INDICATED: DIMENSIONS ARE TO FACE OF VIEW SHOWN AND AUTOMATICALLY ROUNDED BY COMPUTER FOR INSPECTION (SEE MATH MODEL FOR PRECISE DIMENSIONS). FOR ALL OTHER DIMENSIONS NOT SHOWN BUT REQUIRED FOR TOOL BUILD, SEE MATH MODEL FOR PRECISE TOOL PATH DATA.

PART NO	STG	REV	N/P	STATUS	MAT'L SIZE	MAT'L SPEC	TYPE	SIZE (MM)	ID DIA	A ±0.1	Ø ±0.3
15405816	R	001	-		0.813 X 42.47	PM001598 353 CDA 210 EX SPR SN PLTD	501	3-2	13.3.7	10.6	5
15394494	R	001	AB		0.813 X 42.47	PM001598 353 CDA 210 EX SPR SN PLTD	501	1-0.8	17.2.7	10.6	3.6
15373480	R	001	AC		0.813 X 42.47	PM001598 353 CDA 210 EX SPR SN PLTD	501	5	10.4.5	8.5	5.6
15355190	R	A1	-	OBSOLETE	0.813 X 40.9	PM001598 210 GILDING EX SPR SN PLTD	501	1-0.8	17.2.7	8.5	3.6
15355189	R	002	AC		0.813 X 42.47	PM001598 353 CDA 210 EX SPR SN PLTD	501	1-0.8	17.2.7	8.5	3.6
15355120	R	A1	-	OBSOLETE	0.813 X 40.9	PM001598 210 GILDING EX SPR SN PLTD	501	3-2	13.3.7	8.5	5
15336640	R	003	AB		0.813 X 42.47	PM001598 353 CDA 210 EX SPR SN PLTD	501	3-2	13.3.7	8.5	5

6.7 ±0.1	M6	1/4
8.5 ±0.1	M8	5/16
10.6 ±0.1	M10	3/8
"A" Ø	METRIC STANDARD	SCREW SIZE

(6) PROCESS SENSITIVE DIMENSION
DIMENSIONS ENCLOSED IN () INDICATE REFERENCE DIMENSIONS AND NO TOLERANCE LIMITS ARE ESTABLISHED

DELPHI Automotive Systems		DIMENSIONAL RANGE (MM) CHART D	
MATERIAL SPEC SEE CHART		FROM TO	D > 12
		TOLERANCE UNLESS OTHERWISE SPECIFIED	
		±0.1	±0.2
		ANGULAR TOLERANCE ± 2°	
PART DRAWING			
CODE NUMBER 6901	DWG DATE 20AP90	SCALE 5:1	DISTR CODE D
DC SPEC	STYLE	VOLUME cm³	
PART GEOMETRY 3D SOLID	UNLESS OTHERWISE SPECIFIED: PERFECT FORM REQUIRED FOR FEATURES OF SIZE AT MMC. TRUE POSITION TOLERANCES AND RELATED DATUMS APPLY AT CONDITION OF SIZE. INDICATED IN FEATURE CONTROL FRAME. ALL OTHER GEOMETRIC TOLERANCES AND RELATED DATUMS APPLY RFS. SEPARATE TRUE POSITION CALLOUTS MAY BE GAGED SEPARATELY, REGARDLESS OF DATUM REFERENCE.		
COPY OF MATH DATA DO NOT SCALE	REFERENCE 005,705	DR	DATE
		APVD1 JOSE TAPIA	11AU98
METRIC UNLESS OTHERWISE SPECIFIED, ALL DIMENSIONS ARE IN MILLIMETERS		APVD2 FCO, KOPCA	13AU98
		APVD3 E. HAROLDSON	24AU98
		APVD4	
	APVD5		
THIRD ANGLE PROJECTION	DRAWING NAME TAXI TERM RING STRIGHT		
(6) PROCESS SENSITIVE DIMENSION	SHEET NUMBER 5 OF	DRAWING NUMBER 12103500	DWG STATUS R 008
			SIZE A0