

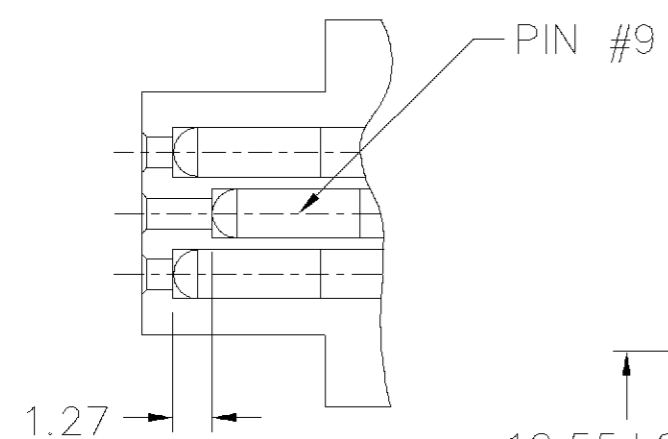
NUMBER
C-11076

3RD ANGLE PROJECTION

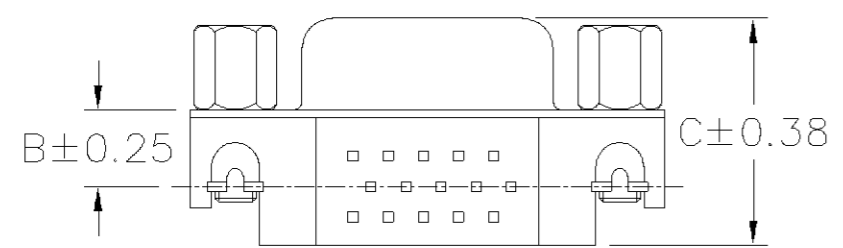
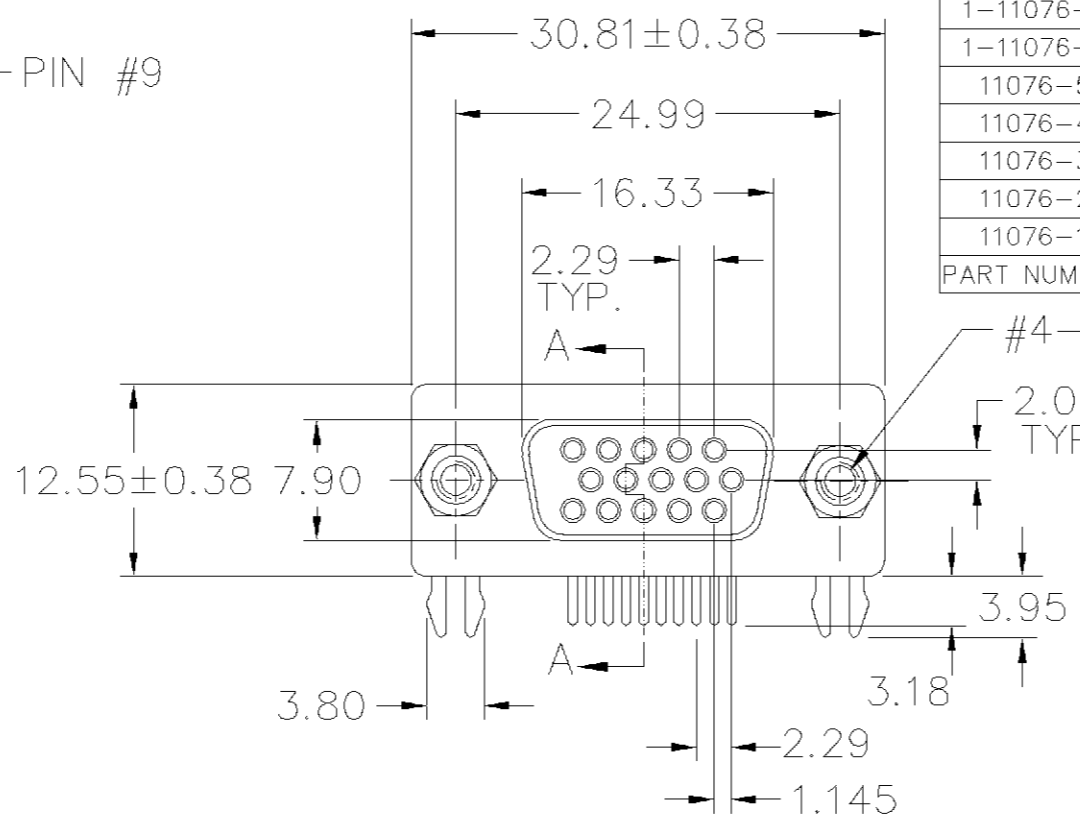
METRIC

THIS INFORMATION IS CONFIDENTIAL AND IS DISCLOSED TO YOU ON CONDITION THAT NO FURTHER DISCLOSURE IS MADE BY YOU TO OTHER THAN AMP PERSONNEL WITHOUT WRITTEN AUTHORIZATION FROM AMP (TAIWAN) LTD. DIMENSIONS IN MILLIMETERS. DO NOT SCALE PRINT.

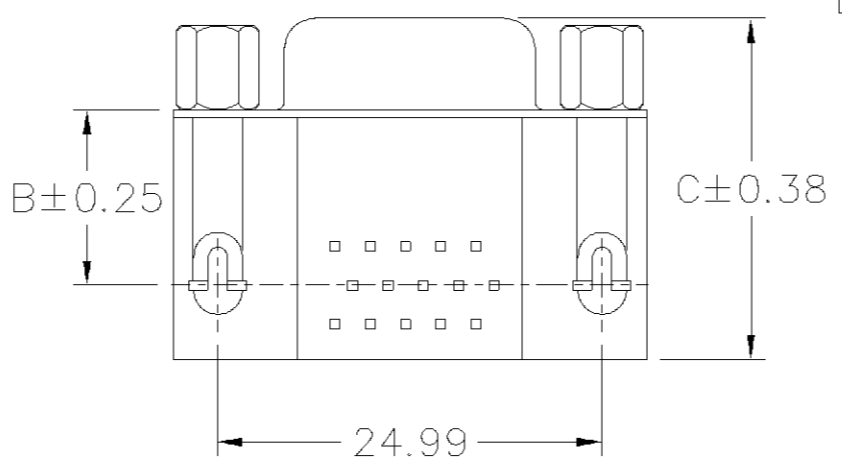
PRINT DIST
DW



SECTION A-A
SCALE 4:1

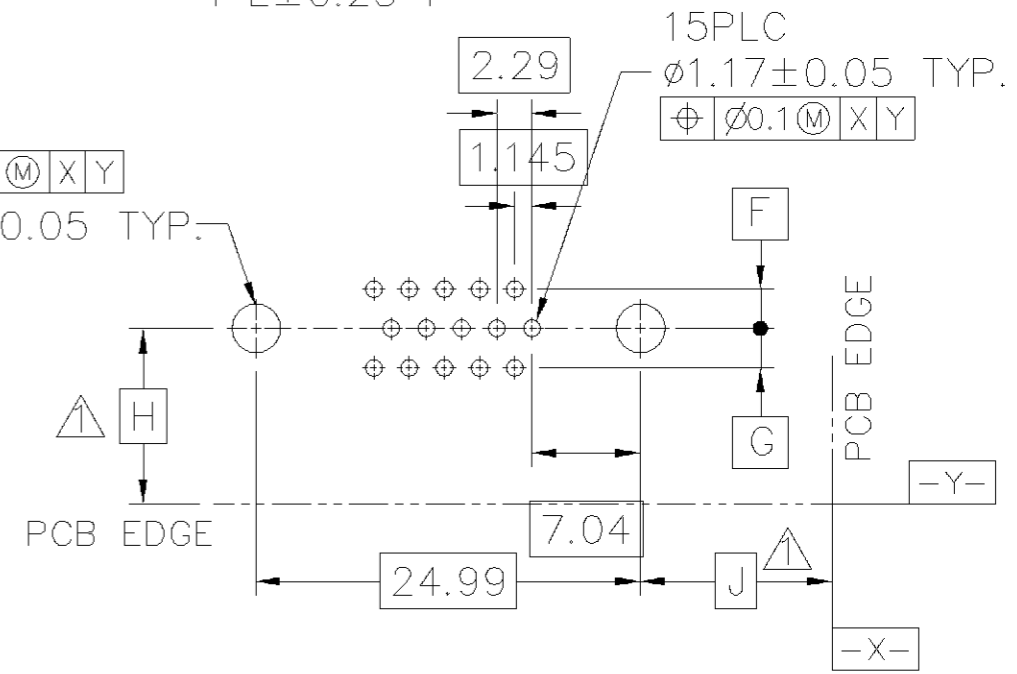
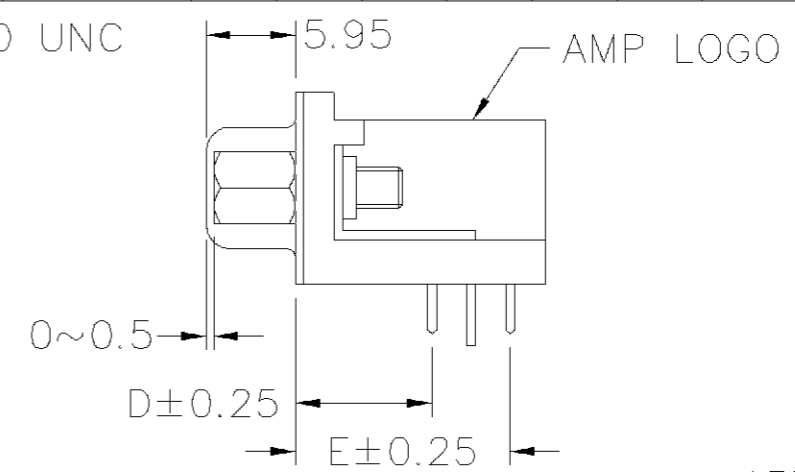


FOR P/N: X-11076-2
11076-4



FOR P/N: X-11076-1
X-11076-3
11076-5

PART NUMBER	GOLD PLATED	DIM B	DIM C	DIM D	DIM E	DIM F	DIM G	SCREW	HSG COLOR	COLOR CODE
3-11076-4	15u" MIN.	5.00	14.80	3.00	7.00	2.00	2.00	W/	BLUE	661C
1-11076-4	GOLD FLASH	5.00	14.80	3.00	7.00	2.00	2.00	W/O	BLUE	661C
1-11076-3		11.43	22.22	8.89	13.97	2.54	2.54	W/O	BLUE	661C
1-11076-2		5.00	14.80	3.00	7.00	2.00	2.00	W/O	LIGHT BLUE	--
1-11076-1		11.43	22.22	8.89	13.97	2.54	2.54	W/O	LIGHT BLUE	--
11076-5		11.43	22.22	8.89	13.97	2.54	2.54	W/	BLACK	--
11076-4		5.00	14.80	3.00	7.00	2.00	2.00	W/	BLUE	661C
11076-3		11.43	22.22	8.89	13.97	2.54	2.54	W/	BLUE	661C
11076-2		5.00	14.80	3.00	7.00	2.00	2.00	W/	LIGHT BLUE	--
11076-1		11.43	22.22	8.89	13.97	2.54	2.54	W/	LIGHT BLUE	--



P.C.B. LAYOUT (COMPONENT SIDE)
RECOMMEND P.C.B. THK=1.0~1.8mm

NOTE :

- △ DIM. H AND J ARE ESTABLISHED BY CUSTOMER.
- △ MATERIAL :
HOUSING : THERMOPLASTIC, 30% GF, UL94V-0
CONTACT : BRASS
SHELL : STEEL
GROUNDING BRACKET : BRASS
RIVETED INSERT : BRASS, DON'T USE FOR 11076-1, 11076-3 & 11076-5
- SCREW : BRASS
- △ FINISH :
CONTACT AREA : GOLD PLATED(SEE TABLE).
SHELL : TIN PLATED
GROUNDING BRACKET : TIN PLATED
RIVETED INSERT : TIN PLATED, DON'T USE FOR 11076-1, 11076-3 & 11076-5.
SCREW : NICKEL PLATED

REV	DESCRIPTION	DATE	BY	CHK
F	ADD -34 & -5 & -25	21MAR 2003	AW	OH
E	ADDED PART NUMBER	16MAY 2002	SH	JC
D	ADD DIMENSION	19APR 1999	JC	PC
C	ADD PART NUMBER	22MAR 1999	AC	PC
B	ADD PART NUMBER	26JAN 1999	AC	PC
A	MODIFY PCB DATUM	12JAN 1999	AC	PC
O	FIRST RELEASED	04DEC 1998	AC	CL
LTR	REVISION RECORD	ECN	DWN	CHK

TOLERANCES UNLESS OTHERWISE SPECIFIED:		DWN		A. WU	
0 PLC	±	CHK		04-APR-2003	
1 PLC	±			O. HU	
2 PLC	±0.25			04-APR-2003	
3 PLC	±0.13			J. CHENG	
ANGLES	±2'			04-APR-2003	
MATERIAL		APVD		PRODUCT SPEC	
FINISH		APPLICATION SPEC		108-57040	
WEIGHT		SCALE		SHEET	
				1 OF 3	

tyco TYCO HOLDINGS (BERMUDA) VII LTD. TAIWAN BRANCH
Electronics

NAME
D-SUB, 15P RECEPTACLE, RIGHT ANGLE

LOC DW
SIZE A₃
DRAWING NO C-11076
REV F

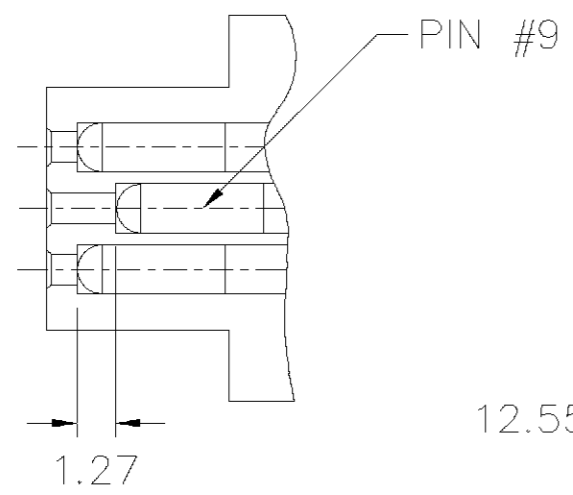
NUMBER
C-11076

3RD ANGLE PROJECTION

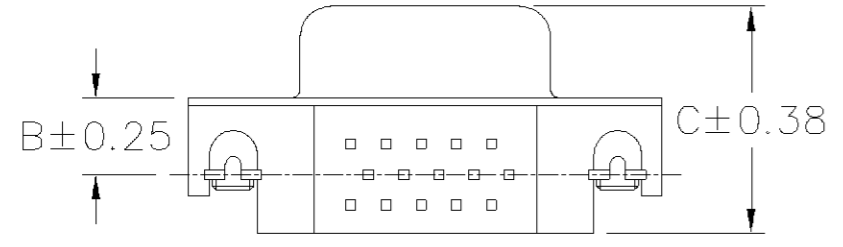
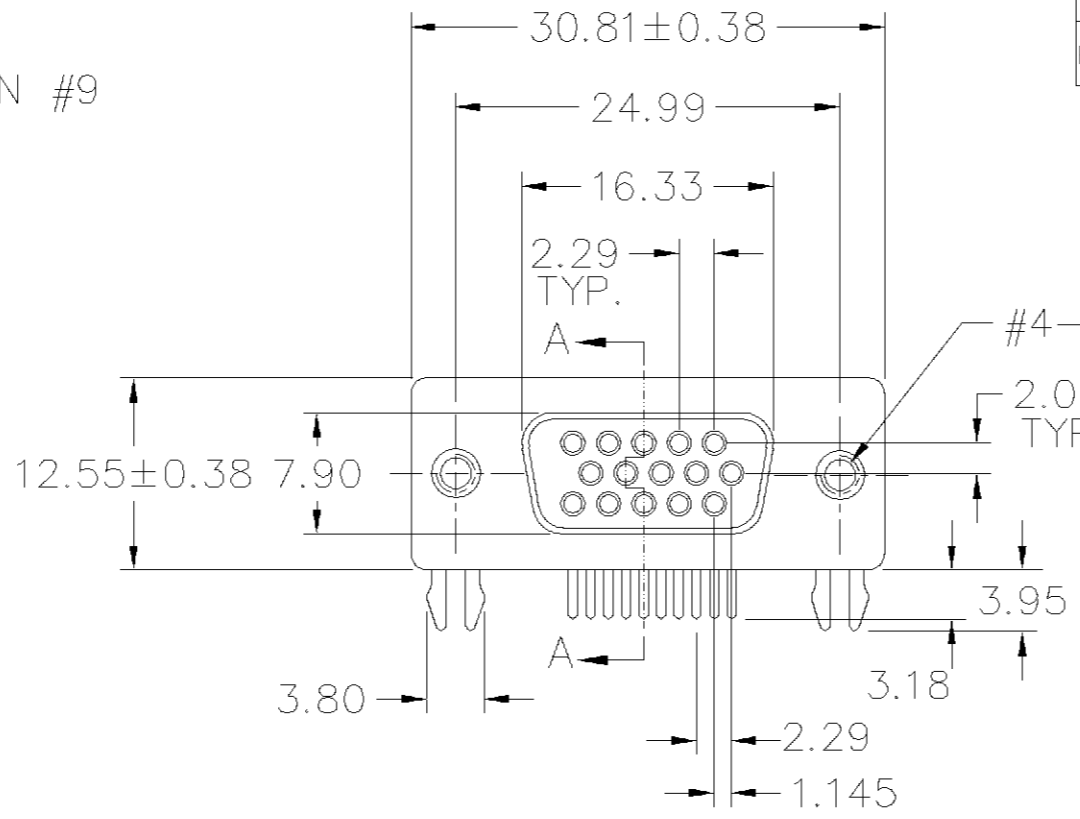
METRIC

THIS INFORMATION IS CONFIDENTIAL AND IS DISCLOSED TO YOU ON CONDITION THAT NO FURTHER DISCLOSURE IS MADE BY YOU TO OTHER THAN AMP PERSONNEL WITHOUT WRITTEN AUTHORIZATION FROM AMP (TAIWAN) LTD. DIMENSIONS IN MILLIMETERS. DO NOT SCALE PRINT.

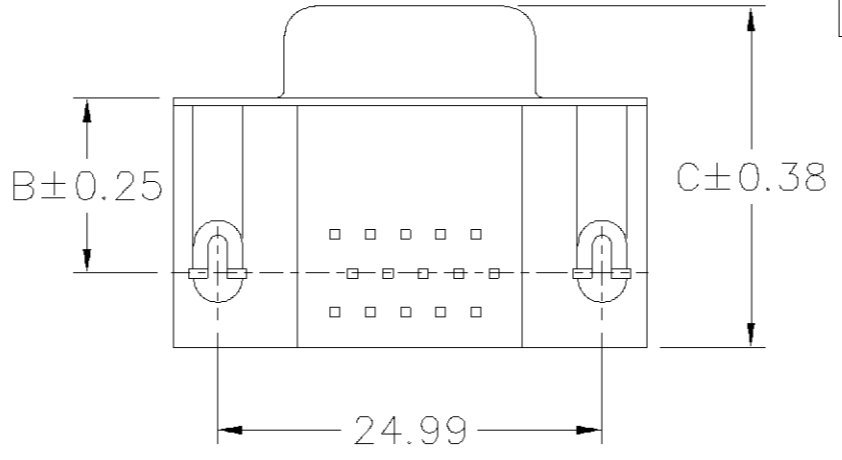
PRINT DIST
DW



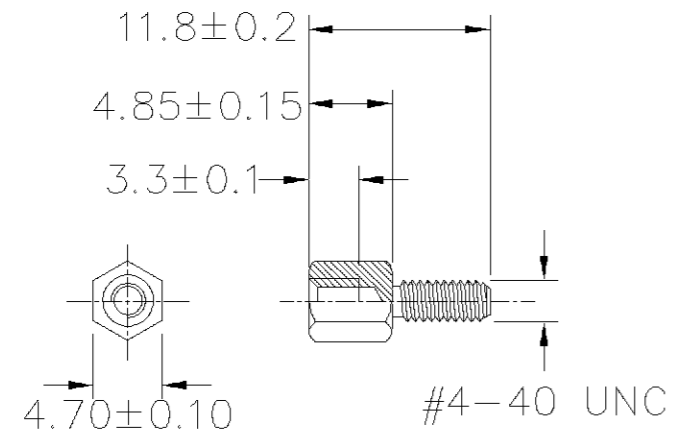
SECTION A-A
SCALE 4:1



FOR P/N: 2-11076-2
2-11076-4



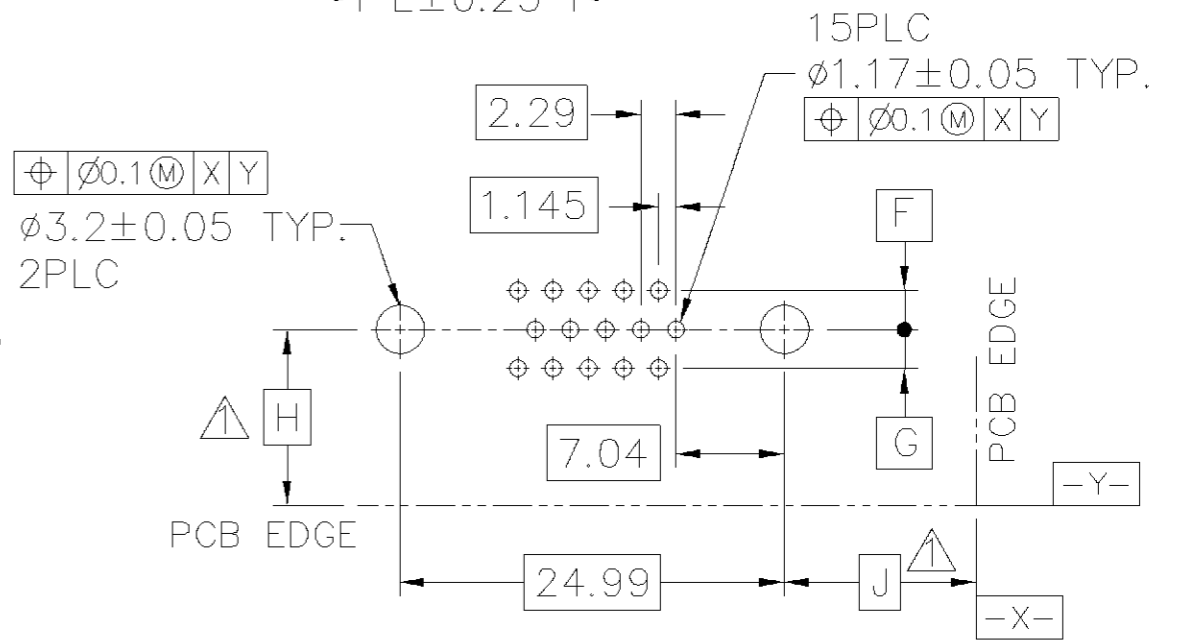
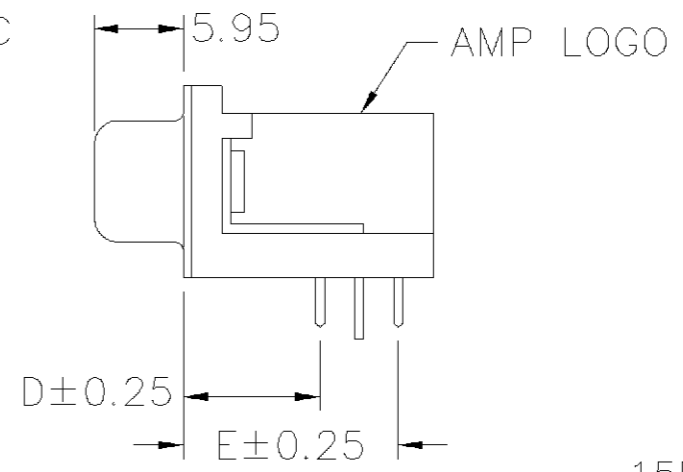
FOR P/N: 2-11076-1
2-11076-3
2-11076-5



#4-40 UNC

2-11076-5	11.43	22.22	8.89	13.97	2.54	2.54	W/	BLACK	--
2-11076-4	5.00	14.80	3.00	7.00	2.00	2.00	W/	BLUE	661C
2-11076-3	11.43	22.22	8.89	13.97	2.54	2.54	W/	BLUE	661C
2-11076-2	5.00	14.80	3.00	7.00	2.00	2.00	W/	LIGHT BLUE	--
2-11076-1	11.43	22.22	8.89	13.97	2.54	2.54	W/	LIGHT BLUE	--
PART NUMBER	DIM B	DIM C	DIM D	DIM E	DIM F	DIM G	SEPARATE SCREW	HSG COLOR	COLOR CODE

NOTE :
 1. DIM. H AND J ARE ESTABLISHED BY CUSTOMER.
 2. P/N : 2-1 ~ 2-5 WITH 2PCS SCREWS SEPARATE FROM THE CONNECTOR
 3. GOLD FLASH VERSION.



P.C.B. LAYOUT (COMPONENT SIDE)
RECOMMEND P.C.B. THK=1.0~1.8mm

LTR	REVISION RECORD	ECN	DWN	CHK	DATE
	SEE SHEET 1				

TOLERANCES UNLESS OTHERWISE SPECIFIED: 0 PLC ± 1 PLC ± 2 PLC ±0.25 3 PLC ±0.13 ANGLES ±2'	DWN A. WU 04-APR-2003	TYCO HOLDINGS (BERMUDA) VII LTD. TAIWAN BRANCH
MATERIAL SEE SHEET 1	CHK O. HU 04-APR-2003	
FINISH SEE SHEET 1	APVD J. CHENG 04-APR-2003	NAME D-SUB, 15P RECEPTACLE, RIGHT ANGLE
WEIGHT	APPLICATION SPEC SEE SHEET 1	LOC DW
		SIZE 3
		DRAWING NO C-11076
		REV F
		SCALE --
		SHEET 2 OF 3

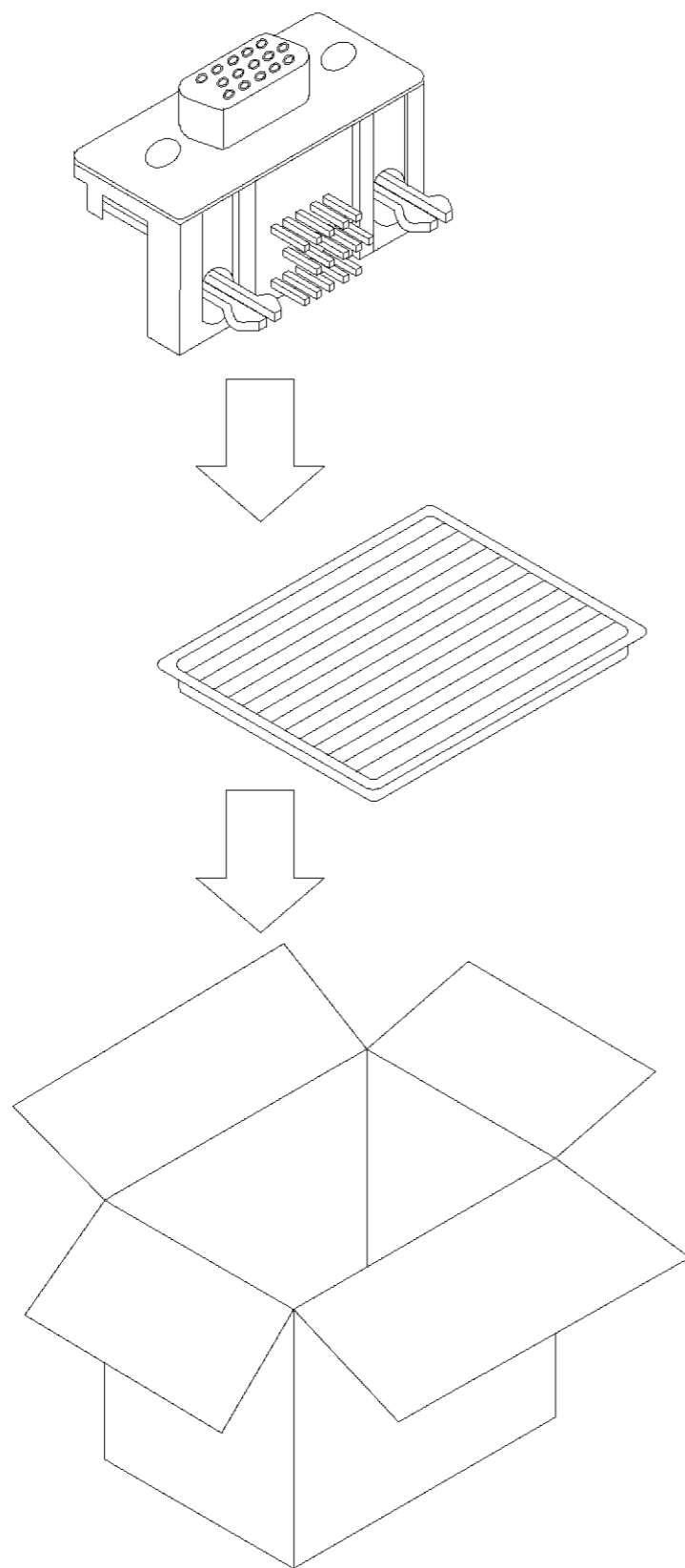
NUMBER
C-11076

3RD ANGLE PROJECTION

METRIC

THIS INFORMATION IS CONFIDENTIAL AND IS DISCLOSED TO YOU ON CONDITION THAT NO FURTHER DISCLOSURE IS MADE BY YOU TO OTHER THAN AMP PERSONNEL WITHOUT WRITTEN AUTHORIZATION FROM AMP (TAIWAN) LTD. DIMENSIONS IN MILLIMETERS. DO NOT SCALE PRINT.

PRINT DIST
DW



NOTES:

1. DIMENSION :

TRAY : L=340, W=228, H=25

SHIPPING CARTON : L=355, W=241, H=253

2. QUANTITY :

D-SUB :

100 PCS/TRAY

10 TRAY/SHIPPING CARTON

SCREW : FOR P/N: 2-1 ~ 2-5

200 PCS/BAG

2,000 PCS/SHIPPING CARTON

	SEE SHEET 1			
LTR	REVISION RECORD	ECN	DWN CHK	DATE

TOLERANCES UNLESS OTHERWISE SPECIFIED:	DWN	A. WU	04-APR-2003
0 PLC ±	CHK	O. HU	04-APR-2003
1 PLC ±	APVD	J. CHENG	04-APR-2003
2 PLC ±0.25	PRODUCT SPEC	SEE SHEET 1	
3 PLC ±0.13	APPLICATION SPEC		
ANGLES ±2'	WEIGHT		

LOC	SIZE	DRAWING NO	REV
DW	A ₃	C-11076	F
SCALE	SHEET		
--	3 OF 3		

tyco TYCO HOLDINGS (BERMUDA)
Electronics VII LTD. TAIWAN BRANCH

NAME
D-SUB, 15P RECEPTACLE,
RIGHT ANGLE