

PRODUCT NUMBER  
20020002-XXXXXXLF

20020002 - [ ] [ ] [ ] [ ] [ ] [ ] [ ] LF

PITCH

G: 5.00 mm  
H: 5.08 mm

POLES

02: 2 poles  
03: 3 poles  
04: 4 poles  
|  
|  
24: 24 poles

LF : DENOTED RoHS COMPATIBLE

1 : STANDARD PRODUCT  
W/ BOX PACKING

SCREW CODE

CODE	SCREW TYPE	AVAILABILITY
A	-/+	ON REQUEST ONLY
B	-	STANDARD

ALL FLANGE SCREWS ARE ONLY AVAILABLE IN +/- COMBINATION SCREW TYPES.

PROPERTY TABLE			
FCI SERIES NAME		01-500	01-508
PITCH (mm)		5.00	5.08
VOLTAGE RATING (VAC)		300	300
CURRENT RATING (A)		12	12
APPLICABLE WIRE RANGE (AWG)	1-WIRE	12~24	12~24
	2-WIRE	18	18
WIRE CROSS SECTION (mm <sup>2</sup> )	SOLID	1-WIRE	2.5
		2-WIRE	1.0
	STRANDED	1-WIRE	2.5
		2-WIRE	1.5
OPENING CONTACT HOUSING(mm <sup>2</sup> )		2.6x3.2	2.6x3.2
WIRE STRIP LENGTH(mm)		7~8	7~8
TORQUE +/-10% (N-m/Lb-in)		0.57/5.0	0.57/5.0
SCREW		M3x0.5	M3x0.5
WITHSTANDING VOLTAGE (kV)		1.6	1.6
OPERATING TEMP. (°C)		-40~+115	-40~+115
POLES AVAILABLE		02~24	02~24
SAFETY CERTIFICATE			

HOUSING CODE

CODE	COLOR	AVAILABILITY
1	GREEN(RAL 6018/T)	STANDARD
2	BLACK	ON REQUEST ONLY
3	GREY(RAL 7004/P)	ON REQUEST ONLY
4	BLUE(RAL 5015/A)	ON REQUEST ONLY

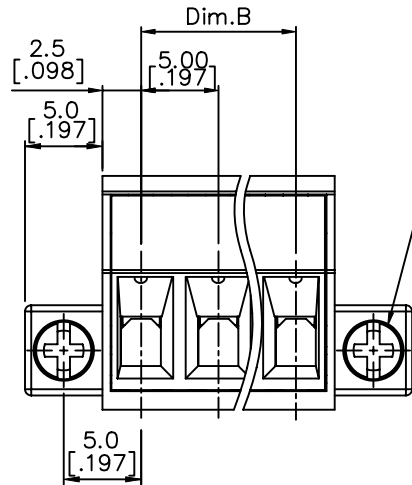
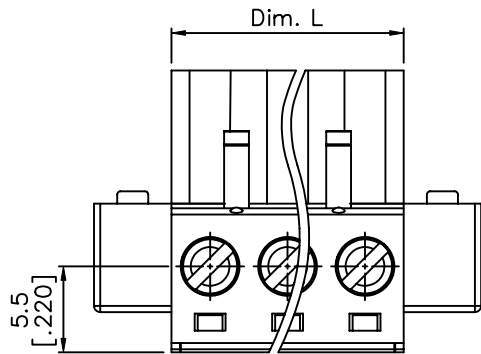
NOTES:

- MATERIALS  
1-1 HOUSING: THERMALPLASTIC RESIN, UL 94V-0 RATED.  
1-2 SCREW: STEEL, ZINC PLATED.  
1-3 CLAMP: COPPER ALLOY, NICKEL PLATED.  
1-4 TERMINAL: COPPER ALLOY, TIN PLATED.
- PRODUCT SPECIFICATION REFER TO FCI GS-12-625.
- PRODUCT PACKING SPECIFICATION REFER TO FCI GS-14-1394.
- FCI, SAFETY CERTIFICATE LOGO AND SERIES NAME TO BE SHOWN ON PRODUCT SURFACE.
- THE PRODUCTS WHERE THE PART NUMBER END IN "LF" MEET THE EUROPEAN UNION DIRECTIVE AND OTHER COUNTRY REGULATIONS AS DESCRIBED IN GS-22-008.

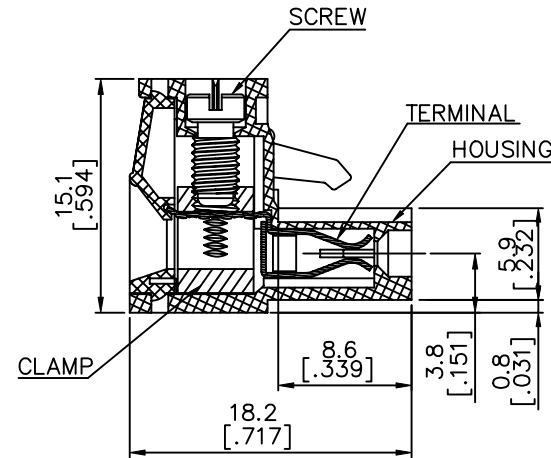
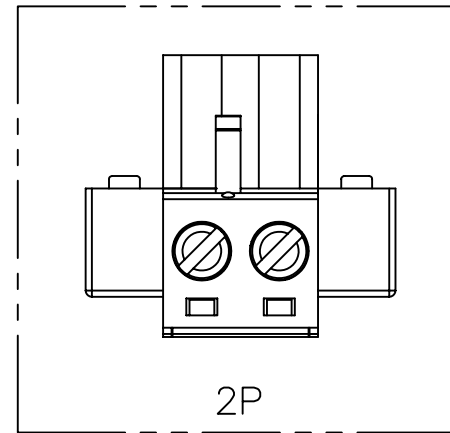
mat'l. code		surface ASME Y14.5	tolerance ASME Y14.5	projection 	product family TERMINAL BLOCK
ltr	ecn no	dr	date	tolerances unless otherwise specified	
A	T10-0082	WL	080510	angles X±0.5	title TERMINAL BLOCK PLUGGABLE, PLUG, SINGAL, W/FLANGE DOWNSIDE CONTACT
B	T10-0158	WL	100410	X.X±0.3	
				scale X.XX±0.1	sheet 1 of 3 size
				dr WENDY CHEN 051410	dwg no 20020002 A4
				enrg JASON HSU 051410	
				chr GARY HSIEH 051410	
				appd JOSEPH HSIA 051410	
sheet index	revision	B	B	type CUSTOMER Drawing	
	sheet	1	2	3	



PRODUCT NUMBER	SERIES NAME	PITCH
20020002-GXXXXXL	01-500	5.00 mm



FLANGE SCREW M2.5

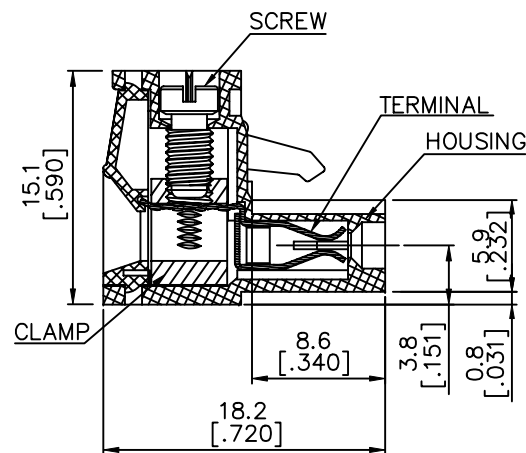
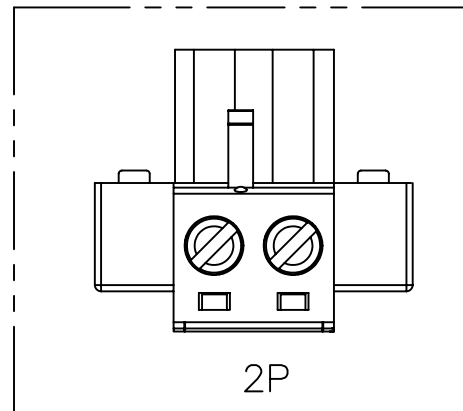
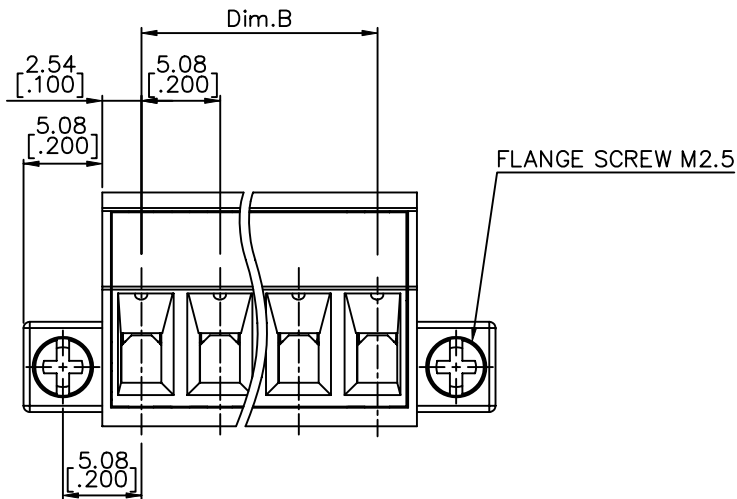
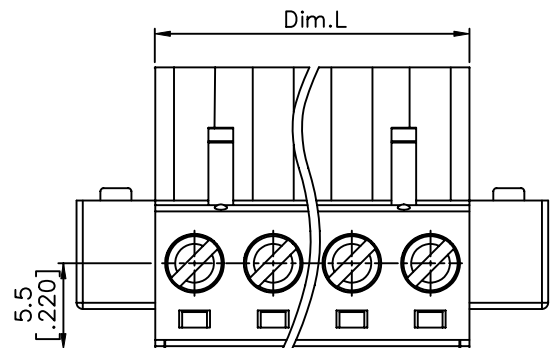


POLE		2	3	4	5	6	7	8
DIM.L		10.0[.394]	15.0[.590]	20.0[.787]	25.0[.984]	30.0[1.181]	35.0[1.377]	40.0[1.574]
DIM.B		5.0[.196]	10.0[.394]	15.0[.590]	20.0[.787]	25.0[.984]	30.0[1.181]	35.0[1.377]
Tol.		±0.15[.006]						±0.25[.010]
POLE	9	10	11	12	13	14	15	16
DIM.L	45.0[1.771]	50.0[1.968]	55.0[2.165]	60.0[2.362]	65.0[2.559]	70.0[2.755]	75.0[2.952]	80.0[3.149]
DIM.B	40.0[1.574]	45.0[1.771]	50.0[1.968]	55.0[2.165]	60.0[2.362]	65.0[2.559]	70.0[2.755]	75.0[2.952]
Tol.	±0.25[.010]				±0.30[.012]			
POLE	17	18	19	20	21	22	23	24
DIM.L	85.0[3.346]	90.0[3.543]	95.0[3.74]	100.0[3.937]	105.0[4.133]	110.0[4.330]	115.0[4.527]	120.0[4.724]
DIM.B	80.0[3.149]	85.0[3.346]	90.0[3.543]	95.0[3.74]	100.0[3.937]	105.0[4.133]	110.0[4.330]	115.0[4.527]
Tol.	±0.30[.012]			±0.40[.016]				

mat'l. code	surface ASME Y14.5	tolerance ASME Y14.5	projection	product family TERMINAL BLOCK
ltr	ecn no	dr	date	title
B				TERMINAL BLOCK PLUGGABLE, PLUG, SINGAL, W/FLANGE DOWNSIDE CONTACT
	angles	tolerance	MM [INCH]	scale
	X±1°	X.XX±0.1		
	dr	WENDY CHEN	051410	sheet 2 of 3
	enr	JASON HSU	051410	20020002
	chr	GARY HSIEH	051410	A4
	appd	JOSEPH HSIA	051410	type CUSTOMER Drawing
sheet index	revision sheet			



PRODUCT NUMBER	SERIES NAME	PITCH
20020002-HXXXXXLf	01-508	5.08 mm



POLE		2	3	4	5	6	7	8	
DIM.L		10.16[.400]	15.24[.600]	20.32[.800]	25.4[1.00]	30.48[1.20]	35.56[1.40]	40.64[1.60]	
DIM.B		5.08[.200]	10.16[.400]	15.24[.600]	20.32[.800]	25.4[1.00]	30.48[1.20]	35.56[1.40]	
Tol.		±0.15[.006]						±0.25[.010]	
POLE	9	10	11	12	13	14	15	16	
DIM.L	45.72[1.80]	50.8[2.00]	55.88[2.20]	60.96[2.40]	66.04[2.60]	71.12[2.80]	76.2[3.00]	81.28[3.20]	
DIM.B	40.64[1.60]	45.72[1.80]	50.8[2.00]	55.88[2.20]	60.96[2.40]	66.04[2.60]	71.12[2.80]	76.2[3.00]	
Tol.	±0.25[.010]				±0.30[.012]				
POLE	17	18	19	20	21	22	23	24	
DIM.L	86.36[3.40]	91.44[3.60]	96.52[3.80]	101.6[4.00]	106.68[4.20]	111.76[4.40]	116.84[4.60]	121.92[4.80]	
DIM.B	81.28[3.20]	86.36[3.40]	91.44[3.60]	96.52[3.80]	101.6[4.00]	106.68[4.20]	111.76[4.40]	116.84[4.60]	
Tol.	±0.30[.012]				±0.40[.016]				

mat'l. code	surface ASME Y14.5	tolerance ASME Y14.5	projection	product family TERMINAL BLOCK
ltr	ecn no	dr	date	title
B				TERMINAL BLOCK PLUGGABLE, PLUG, SINGAL, W/FLANGE DOWNSIDE CONTACT
	angles	tolerances unless otherwise specified	MM [INCH]	dwg no
	X±1°	X.X±0.1	scale	20020002
	dr	WENDY CHEN	051410	sheet 3 of 3
	enr	JASON HSU	051410	size
	chr	GARY HSIEH	051410	A4
	appd	JOSEPH HSIA	051410	type
				CUSTOMER Drawing
sheet index	revision sheet			