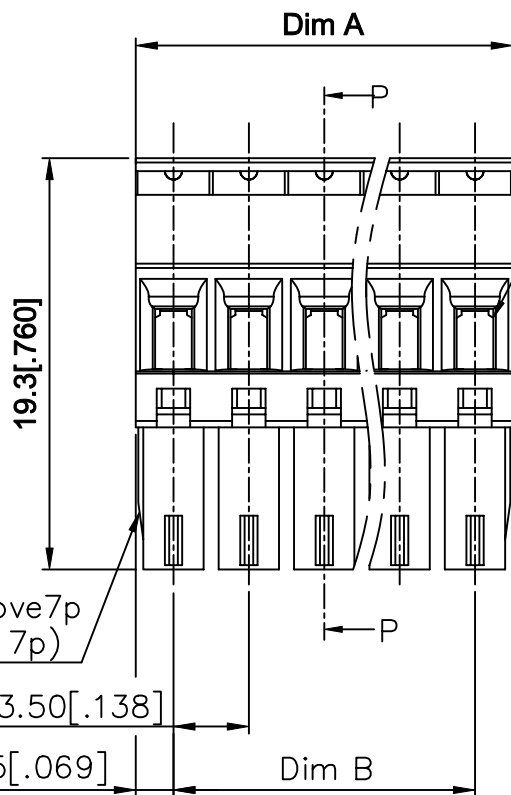
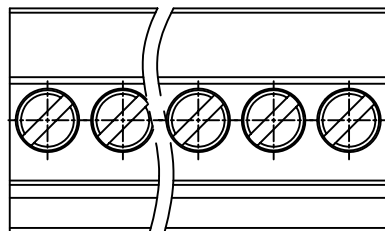


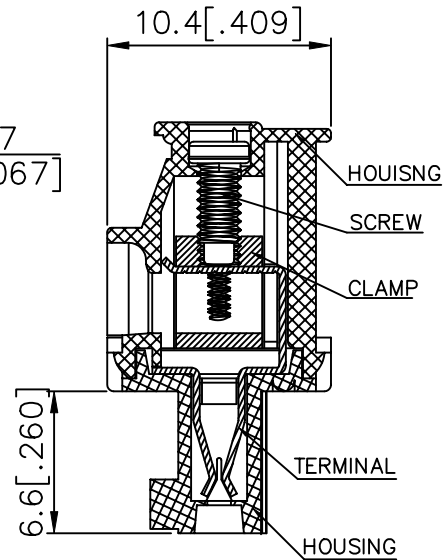




|                    |             |         |
|--------------------|-------------|---------|
| PRODUCT NUMBER     | SERIES NAME | PITCH   |
| 20020008-CXXXXXXLF | 02-350      | 3.50 mm |



□2.8x1.7  
□.110x.067



SECTION P-P

N= NUMBER OF POLES  
DIMENSION

|       |                  |
|-------|------------------|
| Dim A | N*3.5 [.138]     |
| Dim B | (N-1)*3.5 [.138] |

| Poles   | Tolerance    |
|---------|--------------|
| 2P-6P   | ±0.15 [.006] |
| 7P-12P  | ±0.20 [.008] |
| 13P-18P | ±0.25 [.010] |
| 19P-24P | ±0.30 [.012] |

2p to 6p with wedge, above 7p without wedge (including 7p)

|             |                       |                         |                |  |
|-------------|-----------------------|-------------------------|----------------|--|
| mat'l. code | surface<br>ASME Y14.5 | tolerance<br>ASME Y14.5 | projection<br> | product family<br>TERMINAL BLOCK                         |
| ltr         | ecn no                | dr                      | date           | title  |
| H           |                       |                         |                | TERMINAL BLOCK<br>PLUGABLE, PLUG, SIGNAL, ENTRYSIDE HOOK |
|             |                       |                         |                | dwg no<br>20020008                                       |
|             |                       |                         |                | sheet 2 of 5 size<br>A4                                  |
|             |                       |                         |                | type<br>CUSTOMER Drawing                                 |
| sheet index | revision sheet        |                         |                |  |



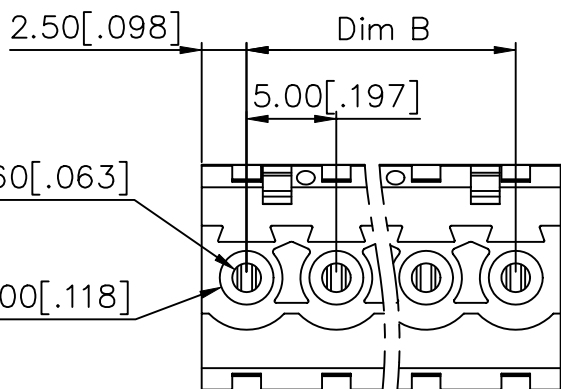
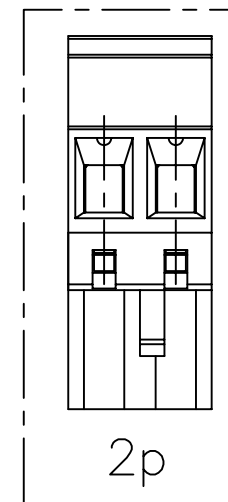
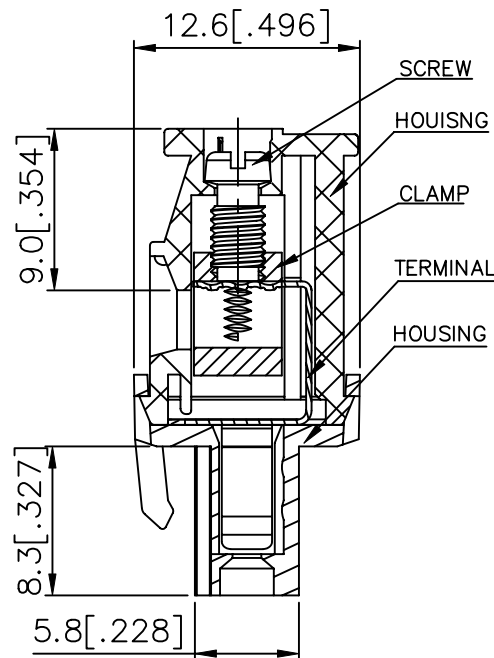
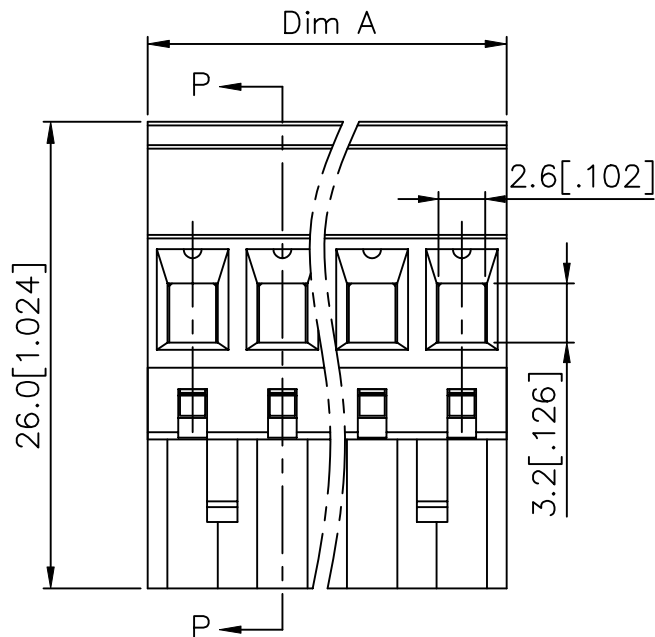
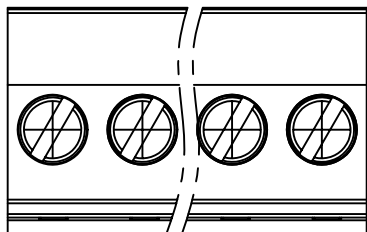


| PRODUCT NUMBER   | SERIES NAME | PITCH   |
|------------------|-------------|---------|
| 20020008-GXXXXXL | 02-500      | 5.00 mm |

N= NUMBER OF POLES  
DIMENSION

|       |                             |
|-------|-----------------------------|
| Dim A | $N \times 5.0 [ .197 ]$     |
| Dim B | $(N-1) \times 5.0 [ .197 ]$ |

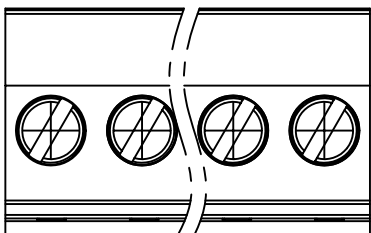
| Poles   | Tolerance           |
|---------|---------------------|
| 2P-6P   | $\pm 0.15 [ .006 ]$ |
| 7P-12P  | $\pm 0.25 [ .010 ]$ |
| 13P-18P | $\pm 0.30 [ .012 ]$ |
| 19P-24P | $\pm 0.40 [ .016 ]$ |



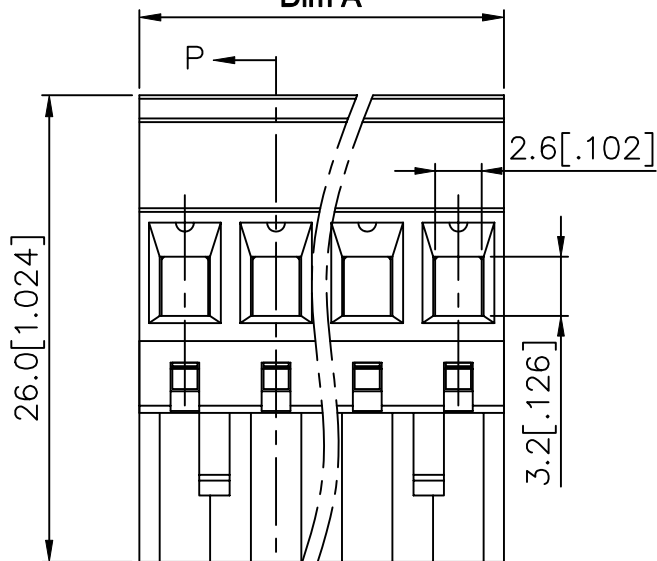
SECTION P-P

|             |                |                       |                         |  |   |
|-------------|----------------|-----------------------|-------------------------|--|---|
| mat'l. code |                | surface<br>ASME Y14.5 | tolerance<br>ASME Y14.5 | projection<br>   | product family<br>TERMINAL BLOCK                                  |
| ltr         | ecn no         | dr                    | date                    | tolerances unless otherwise specified  | title<br>TERMINAL BLOCK<br>PLUGABLE, PLUG, SIGNAL, ENTRYSIDE HOOK |
| H           |                |                       |                         | angles<br>$X \pm 0.5 [ .020 ]$<br>$X.X \pm 0.3 [ .012 ]$<br>$X \pm 1^\circ$<br>$X.XX \pm 0.1 [ .004 ]$ |   |
| dr          |                | BEER FU               | 062509                  | scale<br>MM<br>INCH  | dwg no<br>20020008<br>sheet 4 of 5 size<br>A4                     |
| enr         |                | BEER FU               | 062509                  | FCI logo   |   |
| chr         |                | GARY HSIEH            | 062509                  |  | type<br>CUSTOMER Drawing  |
| app         |                | JOSEPH HSIA           | 062509                  |  |   |
| sheet index | revision sheet |                       |                         |  |   |

| PRODUCT NUMBER   | SERIES NAME | PITCH   |
|------------------|-------------|---------|
| 20020008-HXXXXXL | 02-508      | 5.08 mm |



Dim A

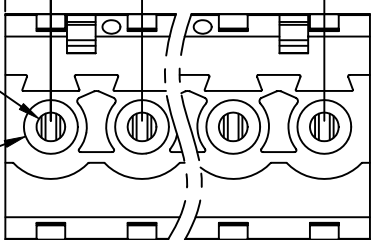


2.54 [.100] Dim B

5.08 [.200]

ø1.60 [.063]

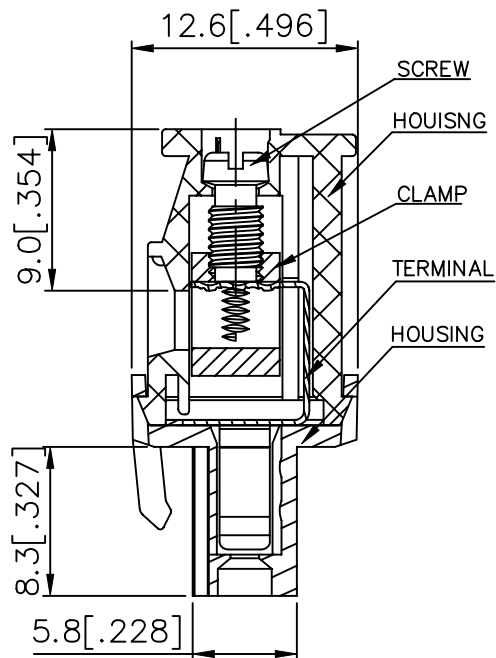
ø3.00 [.118]



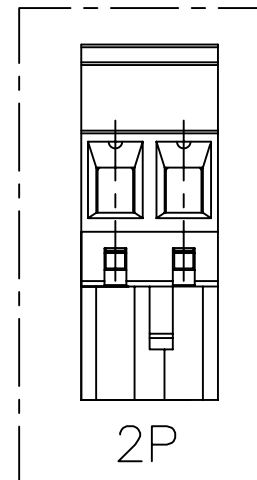
N= NUMBER OF POLES  
DIMENSION

|       |                   |
|-------|-------------------|
| Dim A | Nx5.08 [.200]     |
| Dim B | (N-1)x5.08 [.200] |

| Poles   | Tolerance    |
|---------|--------------|
| 2P-6P   | ±0.15 [.006] |
| 7P-12P  | ±0.25 [.010] |
| 13P-18P | ±0.30 [.012] |
| 19P-24P | ±0.40 [.016] |



SECTION P-P



|             |                       |                         |                          |  |
|-------------|-----------------------|-------------------------|--------------------------|--|
| mat'l. code | surface<br>ASME Y14.5 | tolerance<br>ASME Y14.5 | projection<br>MM<br>INCH | product family<br>TERMINAL BLOCK                         |
| ltr         | ecn no                | dr                      | date                     | title  |
| H           |                       |                         |                          | TERMINAL BLOCK<br>PLUGABLE, PLUG, SIGNAL, ENTRYSIDE HOOK |
|             |                       |                         |                          | scale  |
|             | dr                    | BEER FU                 | 062509                   | dwg no   |
|             | enr                   | BEER FU                 | 062509                   | sheet 5 of 5 size  |
|             | chr                   | GARY HSIEH              | 062509                   | 20020008   |
|             | app                   | JOSEPH HSIA             | 062509                   | A4   |
| sheet index | revision sheet        |                         |                          | type<br>CUSTOMER Drawing                                 |

