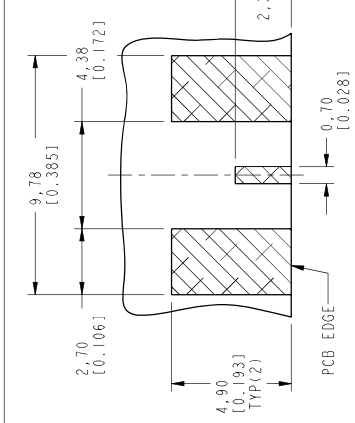
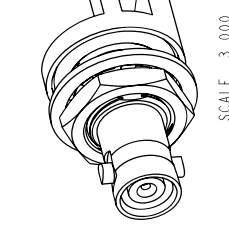


THIRD ANGLE PROJ.		REVISIONS	
REV	DESCRIPTION	DATE	ECO APPR
A	RELEASE TO MFG.	10-Oct-11	48797 IX
B	HEX NUT AND LOCKWASHER WERE SPANNER NUT/WRD-DW 208020R3	14-Aug-12	48991 SH



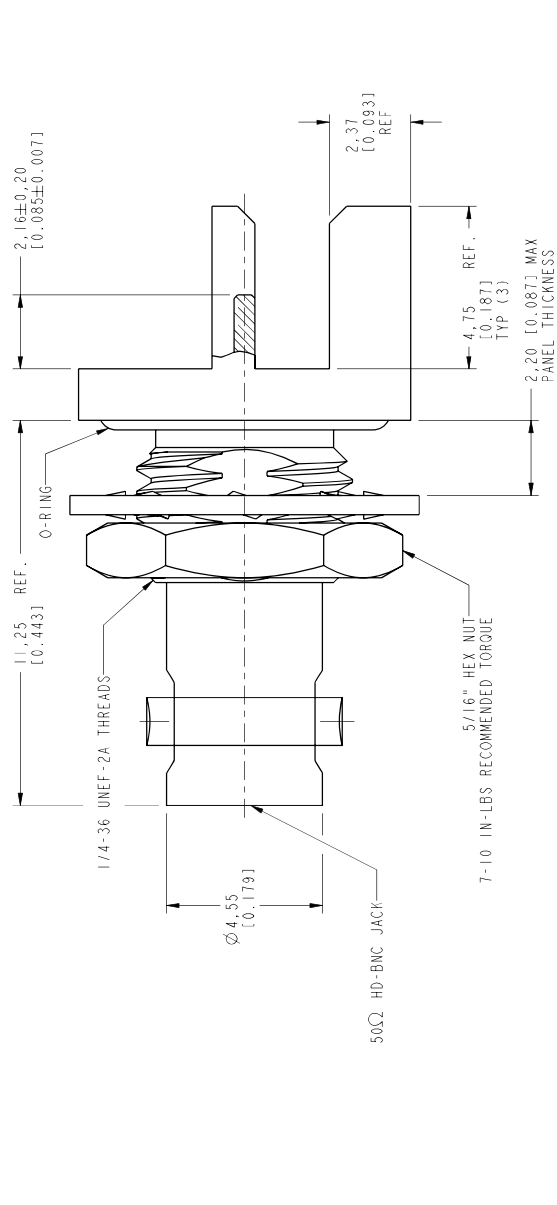
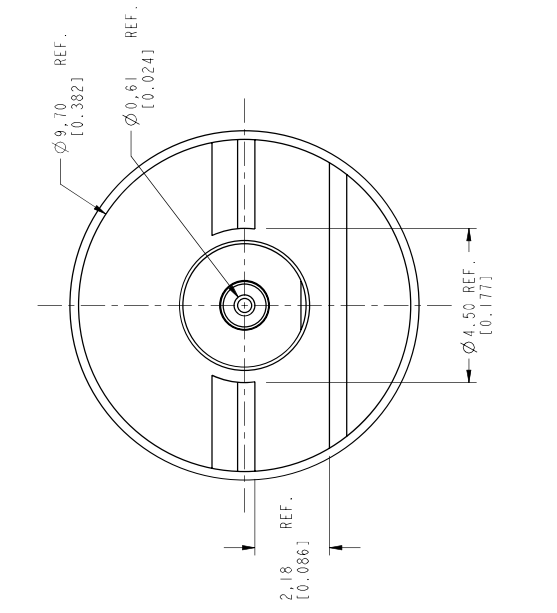
**SCALE 6.000
RECOMMENDED PCB
DIMENSIONS**

- NOTES:**
- MATERIALS AND FINISHES:**
BODY - BRASS, GOLD PLATING
CONTACT - BeCu, GOLD PLATING
HEX NUT AND LOCKWASHER - BRASS, NICKEL PLATING
INSULATOR - PIPE
 - ELECTRICAL:**
A. IMPEDANCE: 50 OHMS
B. FREQUENCY RANGE: DC - 6 GHz
 - MECHANICAL:**
A. DURABILITY: 500 CYCLES MIN.
 - ENVIRONMENTAL:**
A. THERMAL SHOCK PER MIL-STD-202 METHOD 107
TEST CONDITION B (EXCEPT HIGH TEMP @200 C)
B. VIBRATION: MIL-STD-202 METHOD 204 TEST CONDITION B
C. SHOCK: MIL-STD-202 METHOD 213 TEST CONDITION B
D. CORROSION: MIL-STD-202 METHOD 101
TEST CONDITION B 5% SALT SOLUTION
 - AMPHENOL SPANNER WRENCH 227-1490 REQUIRED TO MOUNT CONNECTOR TO PANEL.
 - PACKAGING:**
A. QUANTITY: SINGLE PACK
B. MARKING: BAG TO BE MARKED
C. "AMPHENOLRF, 34-5013 AND DATE CODE"



SCALE 3.000

**SCALE 5.000
RECOMMENDED MOUNTING HOLE
DIMENSIONS**



CUSTOMER OUTLINE DRAWING
ALL OTHER SHEETS ARE FOR INTERNAL USE ONLY

TITLE		DRAWN		DATE	
50 OHM HD BNC BHD JACK EDGE MOUNT FOR 0.080" THICK BOARD		R. MAO	ENGINEER	13-Aug-12	13-Aug-12
SCALE: 9.0:1.0 SHEET 2 OF 2		KARTHIK R	ENGINEER	13-May-11	13-May-11
DWG SIZE B		S. HSIEH	APPROVED	13-Aug-12	13-Aug-12
REV B		CAD FILE	CONFIGURATION LEVEL: 0000		
PART NO. 34-5013					
ITEM NO. 34-5013					
DRAWING NO. 34-5013					
www.amphenolrf.com					
Amphenol RF					

UNLESS OTHERWISE SPECIFIED, DIMENSIONS ARE IN METRIC AND TOLERANCES ARE:

<0.5mm	±0.1mm	0.5 - 6mm	±0.2mm	6 - 30mm	±0.3mm	30 - 120mm	±0.5mm	ANGLES	±1°
--------	--------	-----------	--------	----------	--------	------------	--------	--------	-----

NOTICE: - These drawings, specifications, or other data (1) are, and remain the property of Amphenol Corp. (2) must be returned upon request; and (3) are confidential and not to be disclosed to any person other than those to whom they are intended. Amphenol Corp. or any other person to whom they are disclosed, shall not be regarded by implication or otherwise in any manner licensing, granting rights to permitting such holder or any other person to manufacture, use or sell any product, process or design, patented or otherwise, that may in any way be related to or disclosed by said drawings, specifications, or other data.