

1000 series

Toggle switches • metal lever •
economy range



DISTINCTIVE FEATURES

Butt action contacts

Optional insulated levers (X213 and X490)



ELECTRICAL SPECIFICATIONS

- Max. current/voltage rating with resistive load :
 - silver contacts (A) : 6 A 30 VDC
 - silver plated copper contacts (C) : 1 A 30 VDC
- Initial contact resistance : 10 mΩ max.
- Insulation resistance : 1,000 MΩ min. at 500 VDC
- Dielectric strength : 2,000 Vrms 50 Hz min. between terminals,
2,500 Vrms 50 Hz min. between terminals and frame
- Electrical life : 10,000 cycles at full load



GENERAL SPECIFICATIONS

- Torque : 1.50 Nm (1.10 Ft.lb) max. applied to nut
- Panel thickness : 5 mm (.196) max.
- Operating temperature : -20 °C to +55 °C (-4 °F to +131 °F)

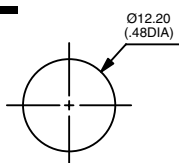


MATERIALS

- Case : function 1 : phenolic resin, functions 6 & 9 : polyamide
 - Actuator : brass, nickel plated (1010 and 1020 models); polyamide (1030 models)
 - Bushing : brass, nickel plated
 - Contacts : **A** : silver, **C** : copper, silver plated
- APEM products may be recycled at end-of-life for the re-claiming of valuable metal components.



PANEL CUT-OUT



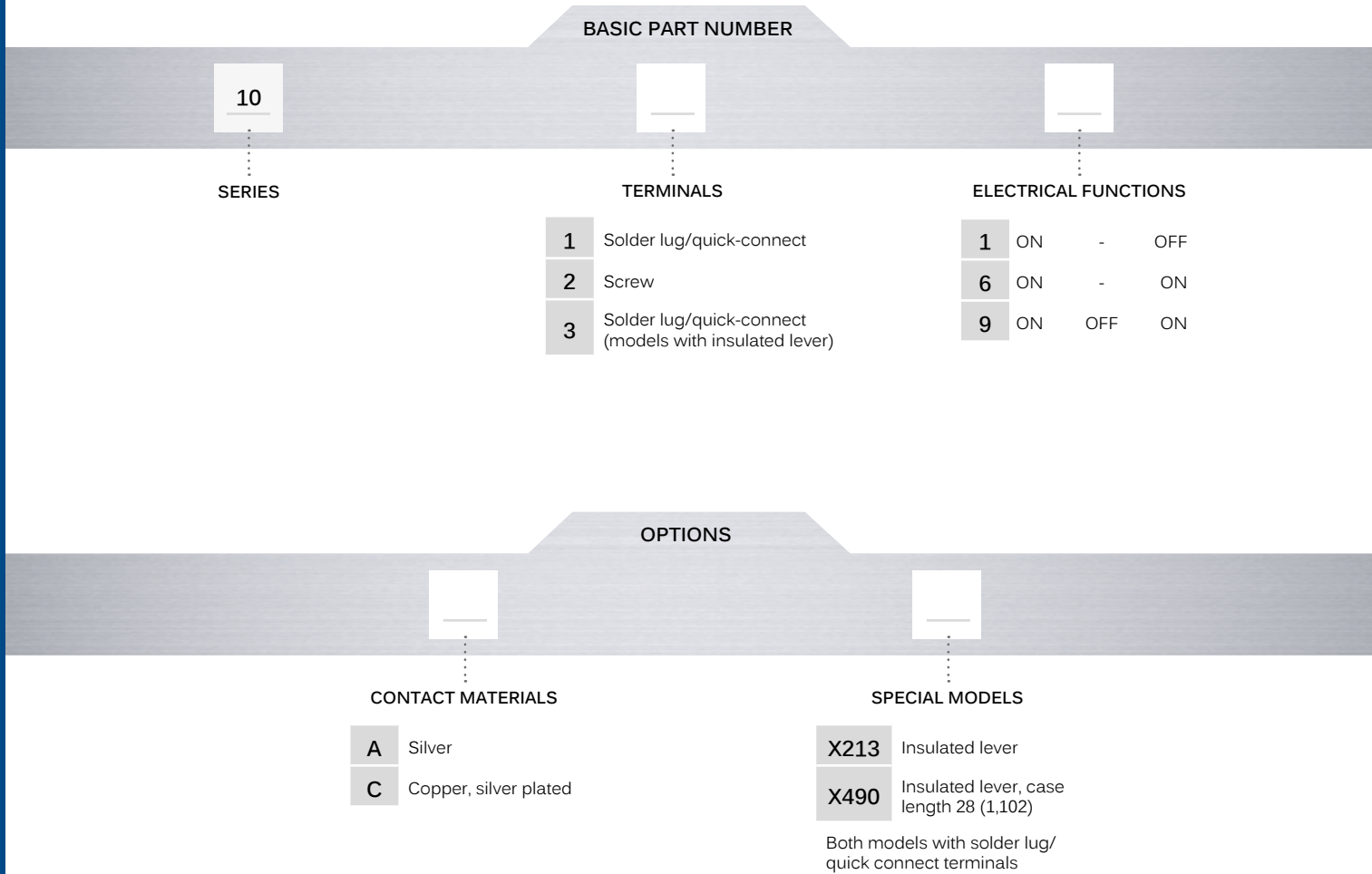
The company reserves the right to change specifications without notice.



1000 series




Toggle switches • metal lever • economy range

BUILD YOUR PART NUMBER



ABOUT THIS SERIES

On the following pages, you will find successively basic part numbers of switches and options in the same order as in above chart.

-  **Notice** : please note that not all combinations of above numbers are available. Refer to the following pages for further information.
-  **Sealing boots** are available to protect the switches against dust and water. See "Sealing Boots" section of website.
-  **Mounting accessories** : standard hardware supplied : 1 hex nut U166 + 1 knurled nut U411

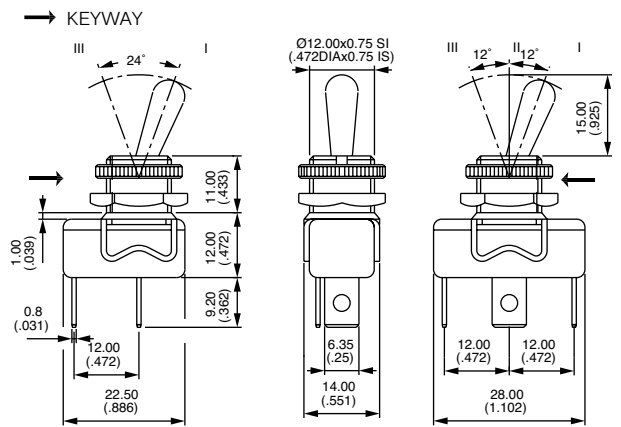
1000 series

Toggle switches • metal lever • economy range

SOLDER LUG/QUICK-CONNECT TERMINALS



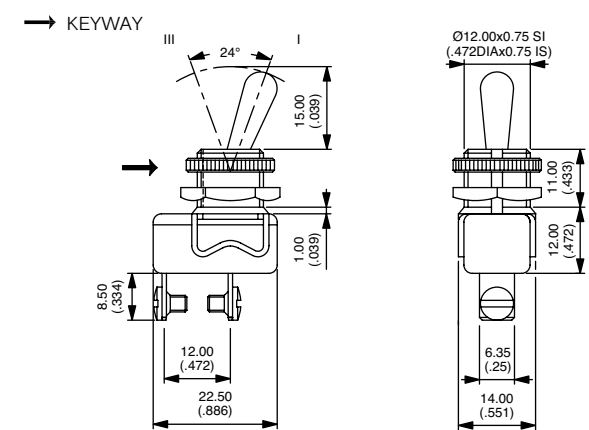
1011	ON	-	OFF
1016	ON	-	ON
1019	ON	OFF	ON



SCREW TERMINALS



1021	ON	-	OFF
------	----	---	-----

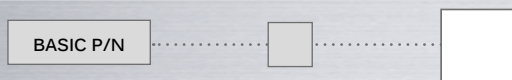


CONTACT MATERIALS



- A Silver
- C Copper, silver plated

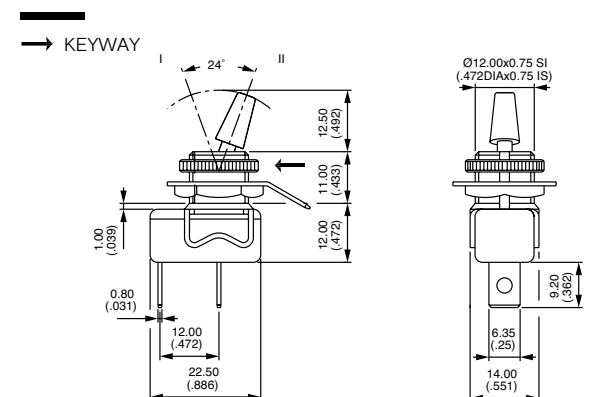
SPECIAL OPTIONS



INSULATED LEVER - X213



	Silver plated copper contacts	I	II
1031CX213		OFF - ON	
1036CX		ON - ON	
213			

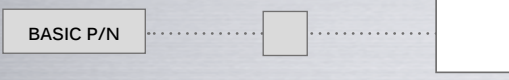


Ground connector **U187** compulsory if the panel is not metallic or not connected to ground. Order separately, see "Hardware" section of website.

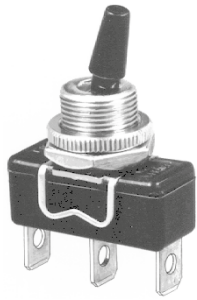
1000 series

Toggle switches • metal lever • economy range

SPECIAL OPTIONS
(CONTINUED)



INSULATED LEVER - X490



	I	II	III
Silver contacts 1036 X490	ON	-	ON
Silver plated copper contacts 1039 X490	ON	OFF	ON

KEYWAY

