



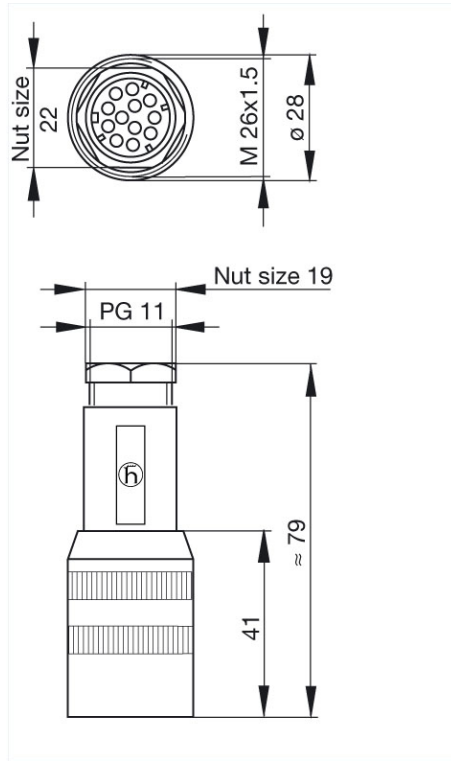
## Product information N11R EF

Industrial Connecting Solutions: Circular Connectors: MIL, DIN, Universal Connectors: DIN 43651 Connectors (NR series): Straight cable socket: N11R EF

<https://catalog.beldensolutions.com:443/link/57078-24228-256281-256284-24367-24368-36227/en/conf/uistate>

Name	N11R EF
	Straight cable socket, strain relief by means of a clamping cage
<b>Delivery informations</b>	
Availability	available
<b>Product description</b>	
Description	Straight cable socket, strain relief by means of a clamping cage
Type	N11R EF
Order No.	932 630-106
Type of contact	female
Number of contacts	11 + PE
Cable gland	PG 11
Cable diameter	8 mm to 10 mm
Conductor size	max. 0.5 mm <sup>2</sup>
Standard	DIN 43651
Housing Color	grey
<b>Technical data</b>	
Pin dimensions	1.6 mm
Rated voltage	AC/DC 60 V
Rated current	5 A
Contact resistance	<= 5 mOhm
Type of termination	crimp
Suitable cables	0.14 mm <sup>2</sup> to 0.5 mm <sup>2</sup>
<b>Material</b>	
Contact surface material	Ag
Contact bearer material	PET
Housing material	PET
<b>Environmental conditions</b>	
Protection class (IEC 60529)	IP 65
Temperature range	-40 °C to +90 °C
<b>Packing unit</b>	
Packaging unit	10 pieces
<b>Scope of delivery and accessories</b>	
Scope of delivery	1 cable sockets, not assembled, in polythene bag, with assembly instructions
Accessories to order separately	can be plugged into N11R AM, N11R AM 5, contacts: RBC 162/1

Picture  
Drawing



**Belden Deutschland GmbH**  
Im Gewerbepark 2  
58579 Schalksmühle  
Germany  
Phone: +49 7127/14-1806  
E-Mail: [icos-sales@belden.com](mailto:icos-sales@belden.com)

The information published in the websites has been compiled as carefully as possible. It is subject to alteration without notice in technical as well as in price-related/commercial respect. The complete information and data were available on user documentation. Mandatory information can only be obtained by a concrete query.