

110/216-Series



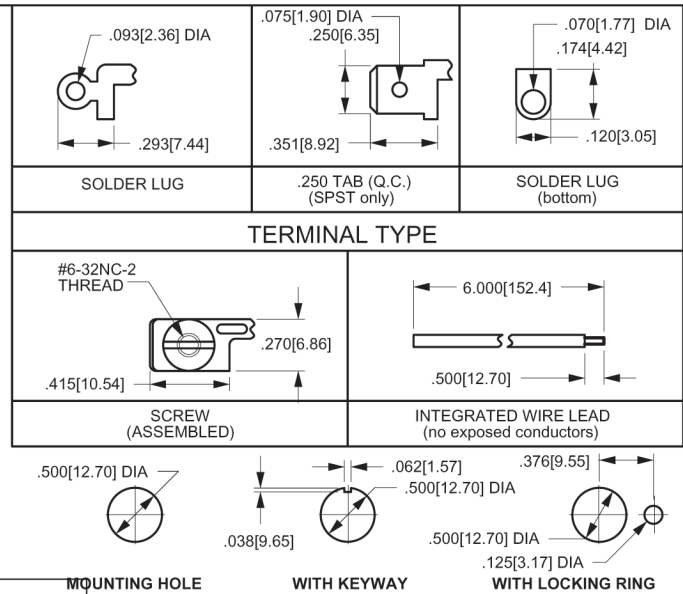
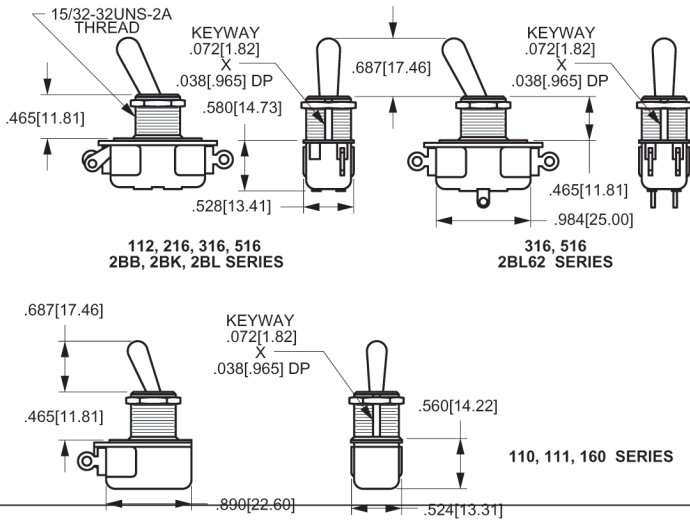
The 110/216-Series toggle switches utilize a quick-make, quick-break contact mechanism and are available in both single and double pole. These switches are 125-250 volts AC/DC rated and suitable for shallow back panel applications. They are available in a range of circuits, terminations and bushing/toggle configurations.

Specifications

- Certifications*: UL, CSA
- Dielectric Strength: 1,000V (minimum)
- Insulation Resistance: 100 Megohms (minimum)
- Base Material: Phenolic
- Actuator Material: Brass/Nickel Plate
- Bushing Material: Brass/Nickel Plate

* Due to ongoing technological advances, consult factory for certification specifics.

Dimensional Specifications: in. [mm]



110 SERIES					
MAINTAINED	(ON) MOMENTARY NORMALLY OPEN	(OFF) MOMENTARY NORMALLY CLOSED	TERMINAL	CIRCUIT & POLES	RATING ¹
110	110-M-NO	110-M-NC	SOLDER LUG-END	SP-ST	3A 250V 6A 125V
110-B	110-BM-NO	110-BM-NC	SOLDER LUG-BTM		
110-S	110-SM-NO	110-SM-NC	SCREW TERM.	SP-DT	1A 250V 3A 125V
111-16	111-16M-NO	111-16M-NC	WIRE LEAD		
112	112-M	NONE	SOLDER LUG-END	DP-ST	6A 125VAC
112-A	112-M-A		WIRE LEAD		
216	216-M-NO	216-M-NC	SOLDER LUG-END	DP-DT	2 CIRCUIT
216-A	216-M-ANO	216-M-ANC	WIRE LEAD		
316	NONE	316-M	SOLDER LUG	DP-ST	3A 250V 6A 125V
316-B		316-BM	SOLDER LUG-BTM		
516	NONE	516-M	SOLDER LUG-END	DP-DT	5A 250V 10A 125V 1/4HP 125V
516-A		516-AM	WIRE LEAD		
516-B		516-BM	SOLDER LUG-BTM		
2BB65	NONE	NONE	WIRE LEAD	DP-DT	
2BB62			SOLDER LUG-END		
2BK65	NONE	NONE	WIRE LEAD	DP-DT	
2BK62			SOLDER LUG-END		
2BL62	NONE	NONE	SOLDER LUG-END	DP-DT	
2BL63			SOLDER LUG-BTM		
160H	NONE	NONE	SOLDER LUG-END	SP-ST	5A 250V 10A 125V 1/4HP 125V
160H-A			WIRE LEAD		
160H-B			SOLDER LUG-BTM		
160H-S			SCREW TERM.		

73 TOGGLE STYLE ²				
BAT	TOGGLE LENGTH	BUSHING LENGTH	SUFFIX NO.	NEOPRENE SEAL
	.375	.343	52	57
	.500	.465	63	68
	.687	.465	73	78
	.375	.250	21	---
	.375	.343	22	---

NOTES:
 Shading indicates standard configurations.
 Tab terminals available on all above SP-ST switches. Add suffix /TABS.
 (ex.) 110-73/TABS
 1 Additional ratings available. Consult factory.
 2 Momentary functions are available only with 73 toggles.