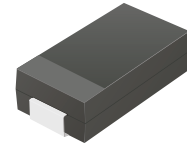


CDBA320-G Thru. CDBA3100-G

Reverse Voltage: 20 to 100 Volts

Forward Current: 3.0 Amp

RoHS Device

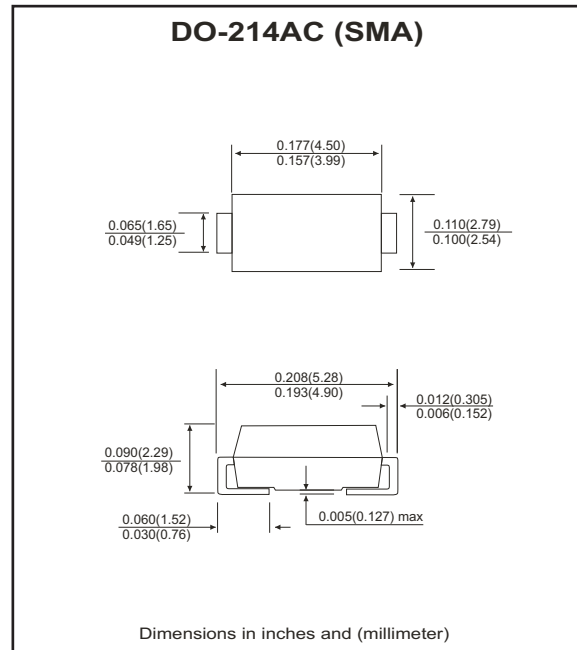


Features

- Ideal for surface mount applications.
- Easy pick and place.
- Plastic package has Underwriters Lab. flammability classification 94V-0.
- Built-in strain relief.
- Low forward voltage drop.

Mechanical data

- Case: JEDEC DO-214AC, molded plastic.
- Terminals: solderable per MIL-STD-750, method 2026.
- Polarity: Color band denotes cathode end.
- Approx. weight: 0.063 grams



Maximum Ratings and Electrical Characteristics

Parameter	Symbol	CDBA 320-G	CDBA 340-G	CDBA 360-G	CDBA 380-G	CDBA 3100-G	Units
Max. repetitive peak reverse voltage	V_{RRM}	20	40	60	80	100	V
Max. DC blocking voltage	V_{DC}	20	40	60	80	100	V
Max. RMS voltage	V_{RMS}	14	28	42	56	70	V
Peak surge forward current, 8.3ms single half sine-wave superimposed on rate load (JEDEC method)	I_{FSM}	80					A
Max. average forward current	$I_{(AV)}$	3.0					A
Max. instantaneous forward voltage at 3.0A	V_F	0.50		0.70	0.85		V
Max. DC reverse current at $T_A=25^{\circ}C$ rated DC blocking voltage $T_A=100^{\circ}C$	I_R	0.5					mA
		20			10		
Max. thermal resistance (Note 1)	$R_{\theta JA}$	55					$^{\circ}C/W$
	$R_{\theta JL}$	12					
Max. operating junction temperature	T_J	-55 to +150					$^{\circ}C$
Storage temperature	T_{STG}	-55 to +150					$^{\circ}C$

Notes: 1. Thermal resistance from junction to ambient and junction to lead mounted on P.C.B. with 0.55x0.55 inch² copper pad area.

RATING AND CHARACTERISTIC CURVES (CDBA320-G thru CDBA3100-G)

Fig.1 Typical Forward Current Derating Curve

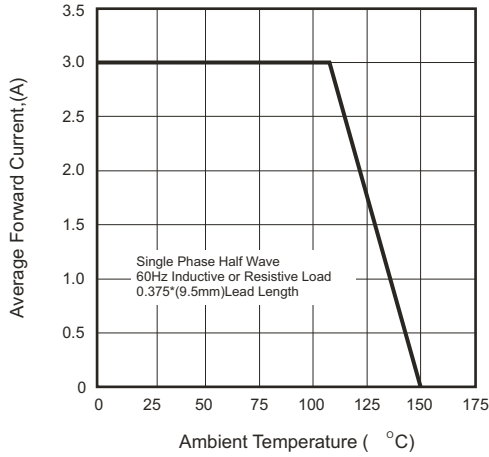


Fig.2 Maximum Non-Repetitive Peak Forward Surge Current

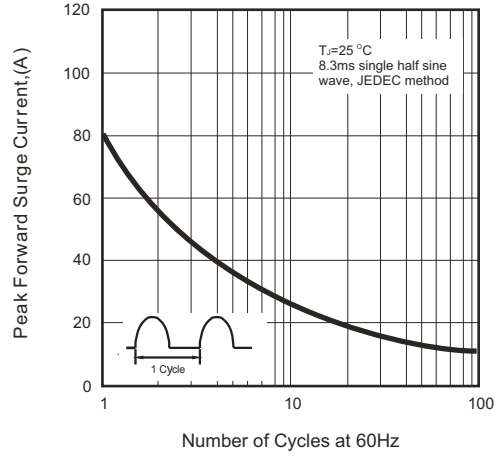


Fig.3 Typical Instantaneous Forward Characteristics

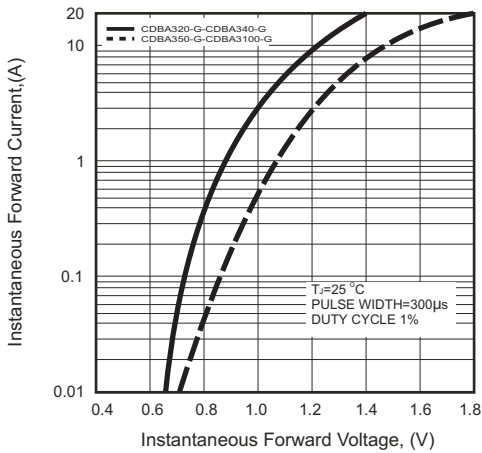


Fig.4 Typical Reverse Characteristics

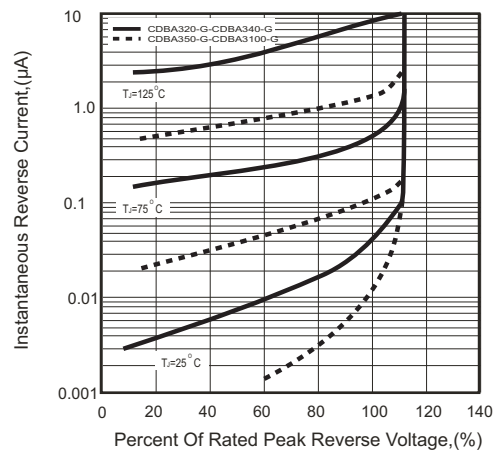
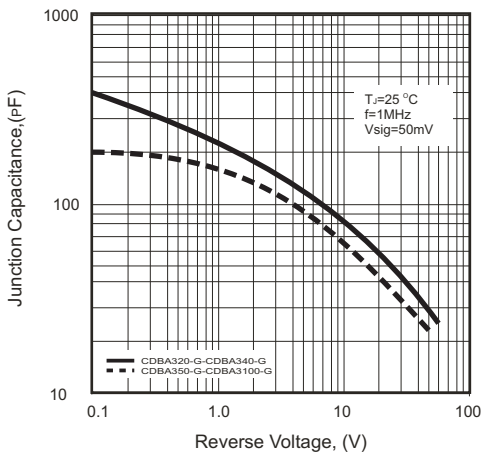
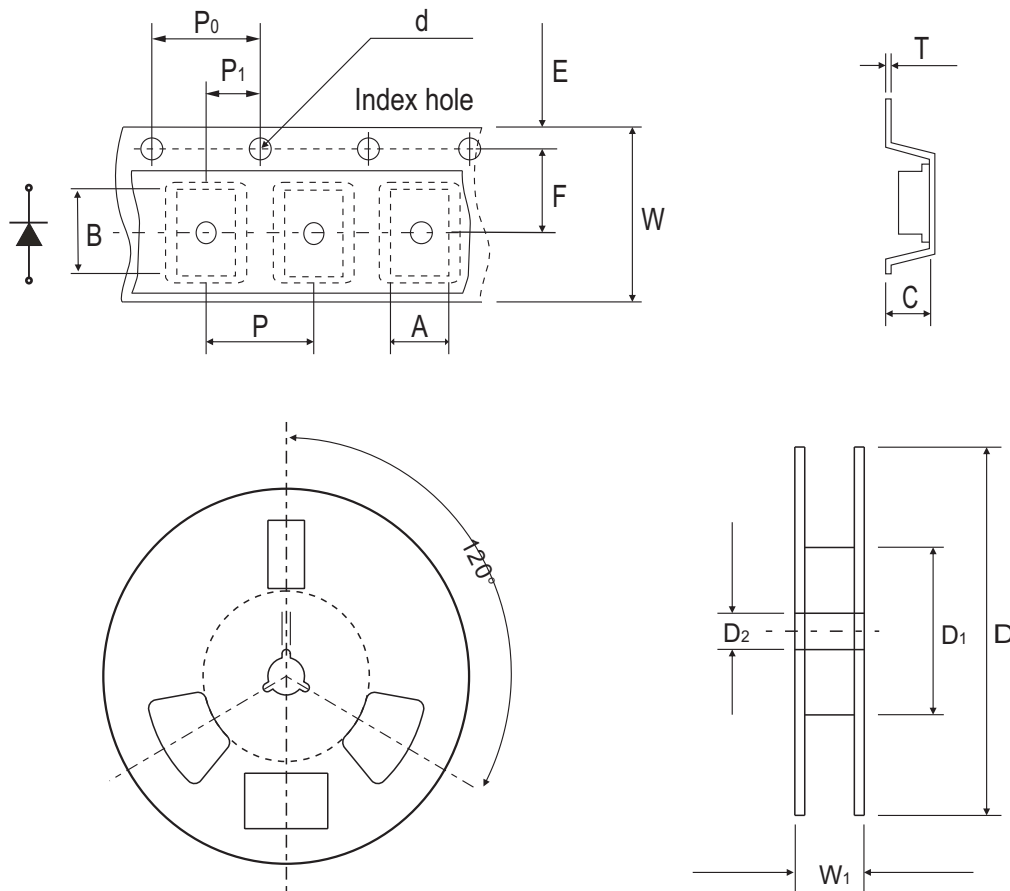


Fig.5 Typical Junction Capacitance



Reel Taping Specification

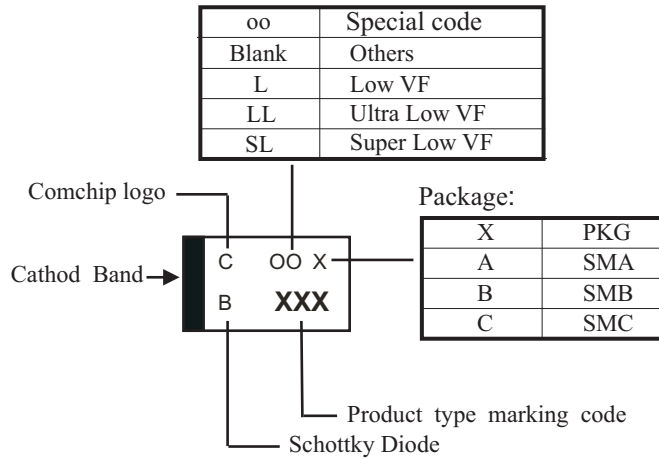


DO-214AC (SMA)	SYMBOL	A	B	C	d	D	D1	D2
	(mm)	2.7 Max	5.3 Max	2.66 Max	1.50 ± 0.10	330 ± 2.00	50.0 Min.	13.5 ± 1.00
	(inch)	0.106 Max	0.209 Max	0.105 Max	0.059 ± 0.004	13.00 ± 0.079	1.969 Min.	0.531 ± 0.039

DO-214AC (SMA)	SYMBOL	E	F	P	P0	P1	W	W1
	(mm)	1.75 ± 0.10	5.50 ± 0.05	4.00 ± 0.10	4.00 ± 0.10	2.00 ± 0.05	12.0 ± 0.30	18.4 Max.
	(inch)	0.689 ± 0.004	0.216 ± 0.002	0.157 ± 0.004	0.157 ± 0.004	0.079 ± 0.002	0.472 ± 0.012	0.724 Max

Marking Code

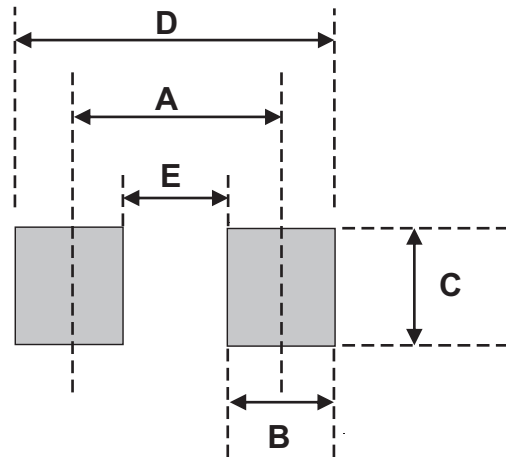
Part Number	Marking Code
CDBA320-G	320
CDBA340-G	340
CDBA360-G	360
CDBA380-G	380
CDBA3100-G	3100



xxx/xxxx = Product type marking code

Suggested PAD Layout

SIZE	DO-214AC (SMA)	
	(mm)	(inch)
A	4.50	0.177
B	1.50	0.059
C	3.60	0.142
D	6.00	0.236
E	3.00	0.118



Standard Packaging

Case Type	REEL PACK	
	REEL (pcs)	Reel Size (inch)
DO-214AC (SMA)	5,000	13