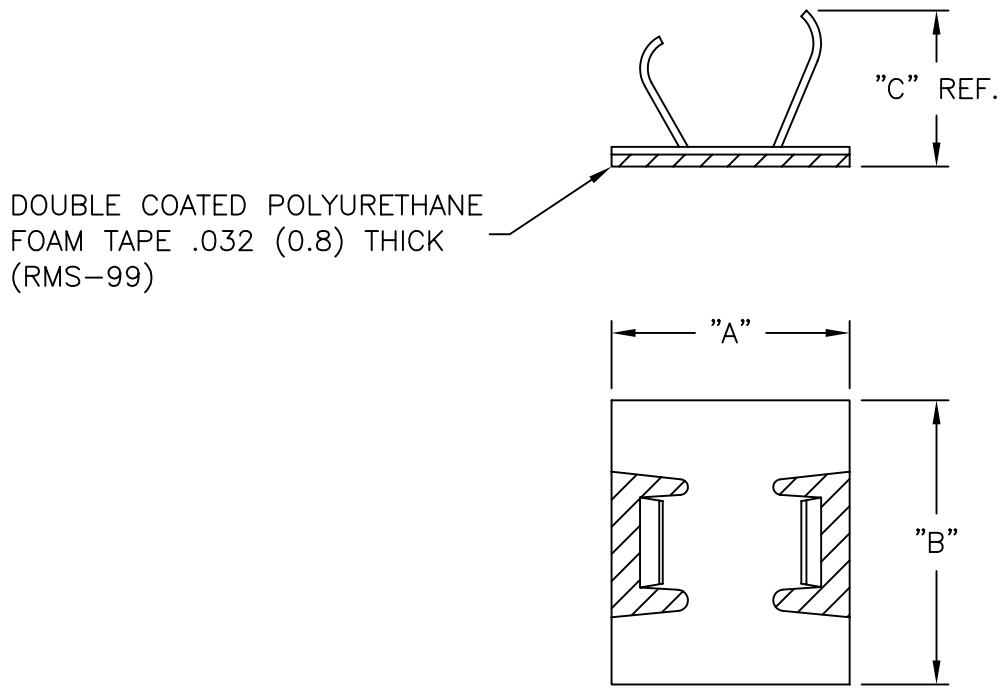


PART NO.	"A"	"B"	"C" REF.	MAX. BUNDLE DIA.
ASK-3	.42 (10.7)	.62 (15.7)	3/8 (9.5)	15/64 (6.0)
ASK-6	.62 (15.7)	.74 (18.8)	9/16 (14.3)	3/8 (9.5)



<table border="1"> <tr> <td>C</td> <td>CHANGED FILE NO.</td> <td>SM 03.22.02</td> </tr> <tr> <td>B</td> <td>TAPE CHANGED TO (RMS-99)</td> <td>J.L. 11.4.98</td> </tr> <tr> <td>A</td> <td>DIM 15/64 (6.0) WAS 15/64 (5.9)</td> <td>PB 08.17.95</td> </tr> <tr> <td>REV</td> <td>DESCRIPTION</td> <td>ENGR DATE</td> </tr> </table>			C	CHANGED FILE NO.	SM 03.22.02	B	TAPE CHANGED TO (RMS-99)	J.L. 11.4.98	A	DIM 15/64 (6.0) WAS 15/64 (5.9)	PB 08.17.95	REV	DESCRIPTION	ENGR DATE	<table border="1"> <tr> <td colspan="3">TOLERANCES UNLESS NOTED .XX=±.010 .XXX=±.005 FRAC=±1/64 ANG=±1°</td> </tr> <tr> <td>FILE #</td> <td>ASK</td> <td>DWN: P.B.</td> </tr> <tr> <td>MAT'L:</td> <td>ALUMINUM</td> <td>DT: 06-19-95</td> </tr> <tr> <td>RE:</td> <td>RICHCO, INC.</td> <td>DT:</td> </tr> </table>			TOLERANCES UNLESS NOTED .XX=±.010 .XXX=±.005 FRAC=±1/64 ANG=±1°			FILE #	ASK	DWN: P.B.	MAT'L:	ALUMINUM	DT: 06-19-95	RE:	RICHCO, INC.	DT:	<table border="1"> <tr> <td colspan="2">TITLE: ALUMINUM STICKY KLIP</td> </tr> <tr> <td colspan="2">APP: RICHCO INC. PO BOX 804238, CHICAGO, 60680 (773) 539-4060</td> </tr> </table>		TITLE: ALUMINUM STICKY KLIP		APP: RICHCO INC. PO BOX 804238, CHICAGO, 60680 (773) 539-4060		<table border="1"> <tr> <td colspan="2">DWG IN IN (MM) FINAL</td> </tr> <tr> <td colspan="2">PART # SEE TABLE</td> </tr> <tr> <td colspan="2">PRINT TYPE CA</td> </tr> </table>		DWG IN IN (MM) FINAL		PART # SEE TABLE		PRINT TYPE CA	
C	CHANGED FILE NO.	SM 03.22.02																																									
B	TAPE CHANGED TO (RMS-99)	J.L. 11.4.98																																									
A	DIM 15/64 (6.0) WAS 15/64 (5.9)	PB 08.17.95																																									
REV	DESCRIPTION	ENGR DATE																																									
TOLERANCES UNLESS NOTED .XX=±.010 .XXX=±.005 FRAC=±1/64 ANG=±1°																																											
FILE #	ASK	DWN: P.B.																																									
MAT'L:	ALUMINUM	DT: 06-19-95																																									
RE:	RICHCO, INC.	DT:																																									
TITLE: ALUMINUM STICKY KLIP																																											
APP: RICHCO INC. PO BOX 804238, CHICAGO, 60680 (773) 539-4060																																											
DWG IN IN (MM) FINAL																																											
PART # SEE TABLE																																											
PRINT TYPE CA																																											