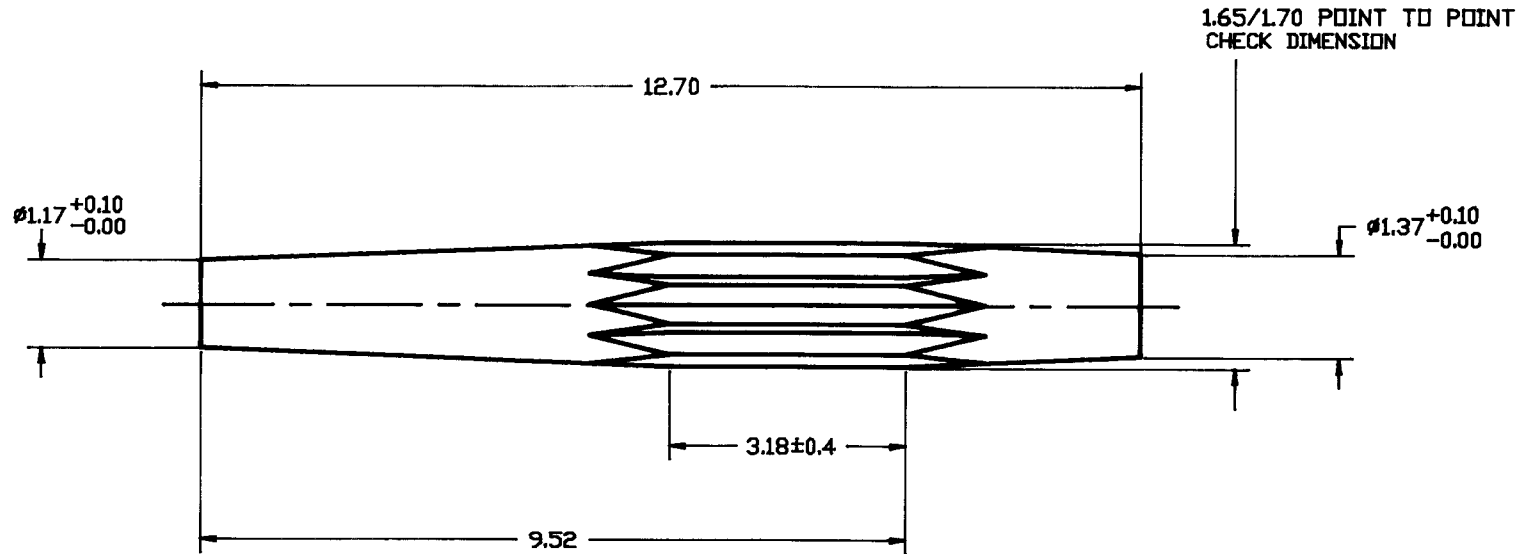


THIRD ANGLE PROJECTION
 DRG. No.:- H2082-XX

DO NOT SCALE



15	8.8.90	1684
14	16.01.90	1588
13	12.07.89	1504

ISS.	DATE	CHANGE
------	------	--------

APPD. *A.L. McCall*

CHKD *[Signature]*

DRAWN PDC

CUSTOMER REF.

COMPUTER No.

PART No.	FINISH
H2082-00	SELF COLOUR
H2082-01	F0101 (90/10 TIN/LEAD)

ASSY. DRAWING

HARWIN
 FITZHERBERT RD., PORTSMOUTH, U.K. PO6 1RT
 TELEPHONE:-
 0705 370451 (SALES) FAX:- 0705 324010
 0705 388755 (WORKS) TELEX:- 86125

MATERIAL:
BRM1022

TITLE:
SOLDER PIN

TOLERANCES:-

X.	± 1mm
X.X	± 0.25mm
X.XX	± 0.1mm
X.XXX	± 0.01mm
ANGLES	± 1°

FINISH SEE ABOVE

S/AREA mm²

DIMS IN MM

SCALE : N.T.S.

DRAWING NUMBER
H2082-XX