

Customer Information Sheet

DRAWING No.: M22-634XX42

SHEET 3 OF 3

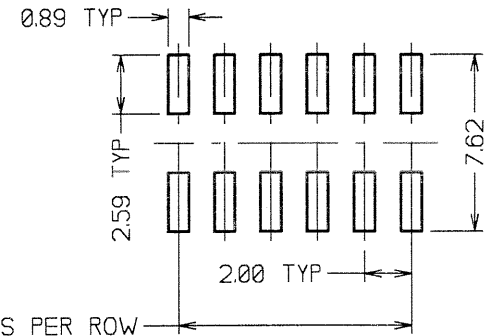
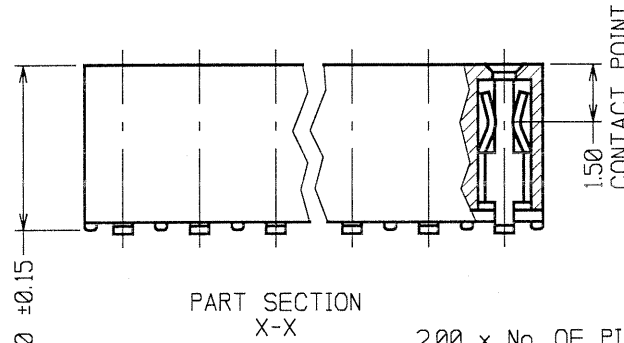
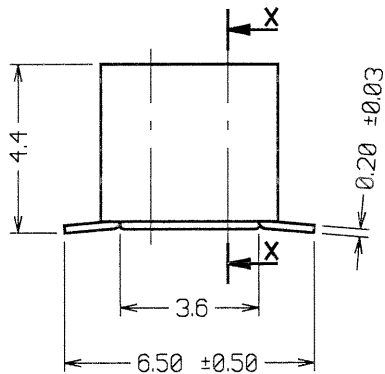
IF IN DOUBT - ASK

©

NOT TO SCALE

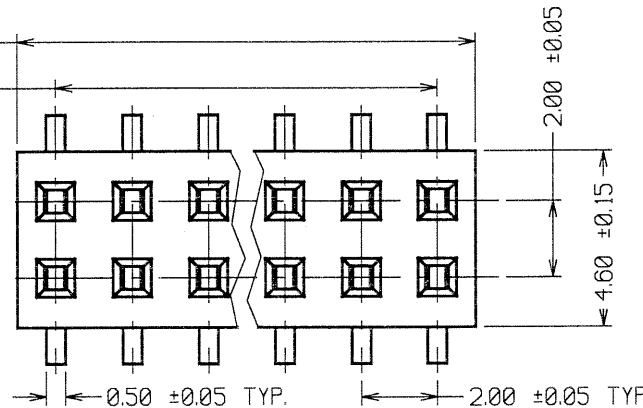
THIRD ANGLE PROJECTION

ALL DIMENSIONS IN mm



$2.0 \times \text{No OF WAYS PER ROW} + 0.5$

$2.00 \times \text{No. OF PITCHES PER ROW}$



SPECIFICATION:

MATERIAL:

MOULDING = HIGH TEMP PLASTIC UL94V-0, BLACK
CONTACT = COPPER ALLOY

FINISH:

GOLD FLASH OVER 1.3µ NICKEL ON CONTACT AREA
100% TIN ON TAILS.

ELECTRICAL:

CURRENT RATING = 1A
INSULATION RESISTANCE = 5.000 MEGOHMS MIN.
CONTACT RESISTANCE = 20 MILLIOHMS MAX.
VOLTAGE PROOF = 1000V AC

MECHANICAL:

INSERTION FORCE = 2.9N MAX.
WITHDRAWAL FORCE = 0.25N MIN.
DURABILITY = 500 CYCLES

ENVIRONMENTAL:

OPERATING TEMPERATURE = -40°C TO +105°C

PACKING:

TUBE (CARTON FOR 3-WAY ONLY)

FOR COMPLETE MECHANICAL/ELECTRICAL SPECIFICATION,
SEE COMPONENT SPECIFICATION C018XX (LATEST ISSUE).

ORDER CODE:

M22-634XX42

No. OF WAYS PER ROW _____
03 TO 25

FINISH: _____

42 = SELECTIVE GOLD + 100% TIN

JMB	9	05.04.06	9145
NAME	ISS.	DATE	C/NOTE
APPROVED: <i>[Signature]</i>			
CHECKED: <i>[Signature]</i>			
DRAWN:		W. J. BOURNE	
CUSTOMER REF.:			
ASSEMBLY DRG:			

HARWIN

HARWIN USA TEL: 603 893 5376 FAX: 603 893 5396 mis@harwin.com	HARWIN Europe (UK) TEL: 023 9231 4545 FAX: 023 9231 4590 mis@harwin.co.uk	HARWIN Asia TEL: +65 6 779 4909 FAX: +65 6 779 3868 mis@harwin.com.sg
--	--	--

THIS DRAWING AND ANY INFORMATION OR DESCRIPTIVE MATTER SET OUT HEREON ARE CONFIDENTIAL AND COPYRIGHT PROPERTY OF THE HARWIN GROUP AND MUST NOT BE DISCLOSED, LOANED, COPIED OR USED FOR MANUFACTURING, TENDERING OR FOR ANY OTHER PURPOSE WITHOUT THEIR WRITTEN PERMISSION.

TOLERANCES
X. - ±1mm
X.X - ±0.25mm
X.XX - ±0.10mm
X.XXX - ±0.01mm
ANGLES = ±5°
UNLESS STATED

MATERIAL:
SEE ABOVE
FINISH:
SEE ABOVE
S/AREA: mm²

TITLE:
2mm PITCH DIL SMT
LOW PROFILE SKT ASSEMBLY
DRAWING NUMBER:
M22-634XX42

SHT
3
OF
3