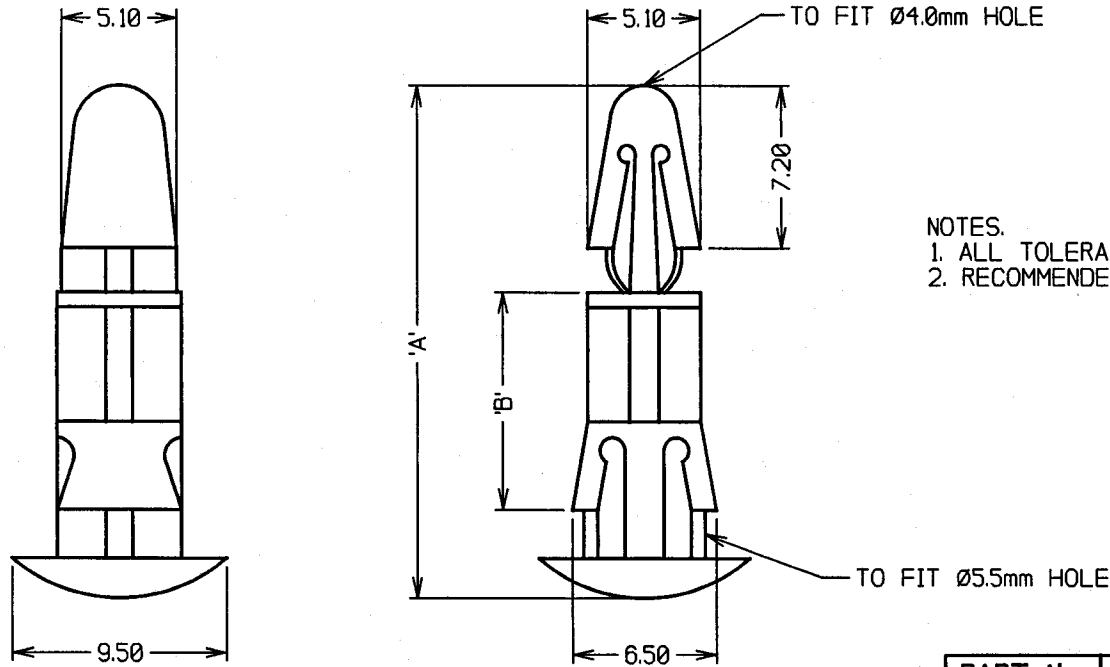


# Customer Information Sheet

DRAWING No.: R6706-00/R6718-00 SHEET 2 OF 2 IF IN DOUBT - ASK © NOT TO SCALE THIRD ANGLE PROJECTION ALL DIMENSIONS IN mm



- NOTES.  
 1. ALL TOLERANCES ARE  $\pm 0.50$  UNLESS OTHERWISE STATED.  
 2. RECOMMENDED PCB THICKNESS = 0.5-1.8mm.

PART No.	DIM 'A'	DIM 'B'
R6706-00	19.0	6.0
R6708-00	20.8	8.0
R6710-00	22.7	9.6
R6712-00	24.8	12.0
R6714-00	26.8	14.0
R6718-00	31.0	18.0

2	12.01.99	4713
ISS.	DATE	C/N
APPROVED: <i>W.S.B.</i>		
CHECKED: <i>M. J. Beck</i>		
DRAWN: D. BECK		
CUSTOMER REF.		
ASSEMBLY DRG:		

## HARWIN

HARWIN INC  
 U.S.A.  
 TEL: (812) 285 0055  
 FAX: (812) 285 0056

HARWIN PLC  
 U.K.  
 TEL: 01705 370451  
 FAX: 01705 314590

HARWIN PTE  
 SINGAPORE  
 TEL: 65 7794909  
 FAX: 65 7793868

~~TOLERANCES  
 X. -  $\pm 1$ mm  
 X.X -  $\pm 0.25$ mm  
 X.XX -  $\pm 0.10$ mm  
 X.XXX -  $\pm 0.01$ mm  
 ANGLES -  $\pm 1^\circ$   
 UNLESS STATED~~

MATERIAL:  
 NYLON 66 WHITE UL94V-2

FINISH: CLEAN  
 S/AREA: mm<sup>2</sup>

TITLE:  
 REVERSE SELF  
 LOCKING SPACER

DRAWING NUMBER:  
 R6706-00/R6718-00

SHT  
 2  
 OF 2