

# Customer Information Sheet

DRAWING No.: S1621FXX

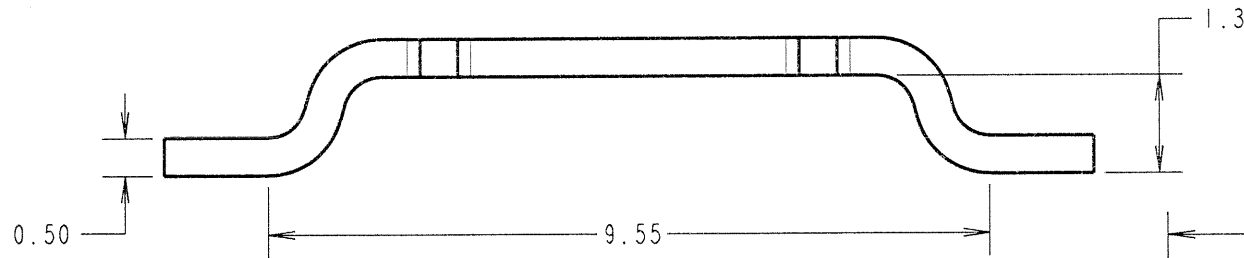
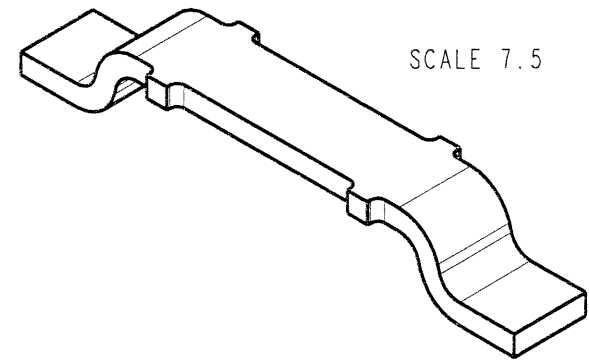
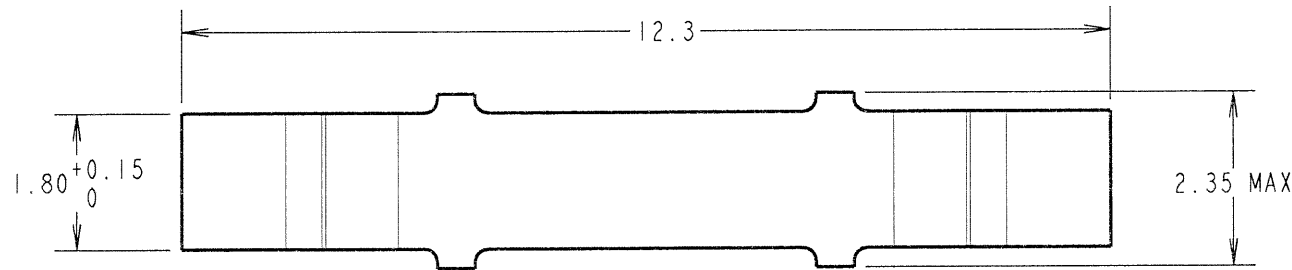
SHEET 2 OF 2 IF IN DOUBT - ASK



NOT TO SCALE

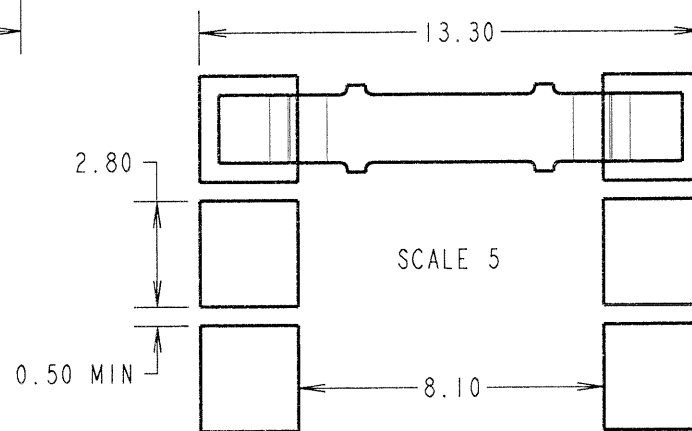
THIRD ANGLE PROJECTION

ALL DIMENSIONS IN mm



NOTES:  
1. PACKING = 100 COMPONENTS PER BAG.

HARWIN PART No.	FARNELL PART No.	FINISH
S1621F06	486-1474	4 $\mu$ 90/10 TIN/LEAD
S1621F46	102-2336	4 $\mu$ 100% TIN



RECOMMENDED  
PAD LAYOUT

JMB	2	09.12.05	8910
NAME	ISS.	DATE	C/NOTE
APPROVED: <i>[Signature]</i>			
CHECKED: <i>[Signature]</i>			
DRAWN:		J. EVANS	
CUSTOMER REF.:			
ASSEMBLY DRG:			

## HARWIN

THIS DRAWING AND ANY INFORMATION OR DESCRIPTIVE MATTER SET OUT HEREON ARE CONFIDENTIAL AND COPYRIGHT PROPERTY OF THE HARWIN GROUP AND MUST NOT BE DISCLOSED, LOANED, COPIED OR USED FOR MANUFACTURING, TENDERING OR FOR ANY OTHER PURPOSE WITHOUT THEIR WRITTEN PERMISSION.

TOLERANCES  
X. =  $\pm 1$ mm  
X.X =  $\pm 0.25$ mm  
X.XX =  $\pm 0.10$ mm  
X.XXX =  $\pm 0.01$ mm  
ANGLES =  $\pm 5^\circ$   
UNLESS STATED

MATERIAL:  
BRASS CW508L H120 TO  
BS EN 1652  
(CuZn37 1/2 HARD)  
FINISH: SEE TABLE  
S/AREA: mm<sup>2</sup>

TITLE:  
SURFACE MOUNT JUMPER  
(LOOSE)  
DRAWING NUMBER:  
**S1621FXX**

HARWIN INC U.S.A. TEL: (812) 542 2540 FAX: (812) 542 2541	HARWIN PLC U.K. TEL: 023 9231 4545 FAX: 023 9231 4590	HARWIN PTE SINGAPORE TEL: 65 6779 4909 FAX: 65 6779 3868
--	--	---