

# Customer Information Sheet

DRAWING No.: S1721-XXR

SHEET 2 OF 2

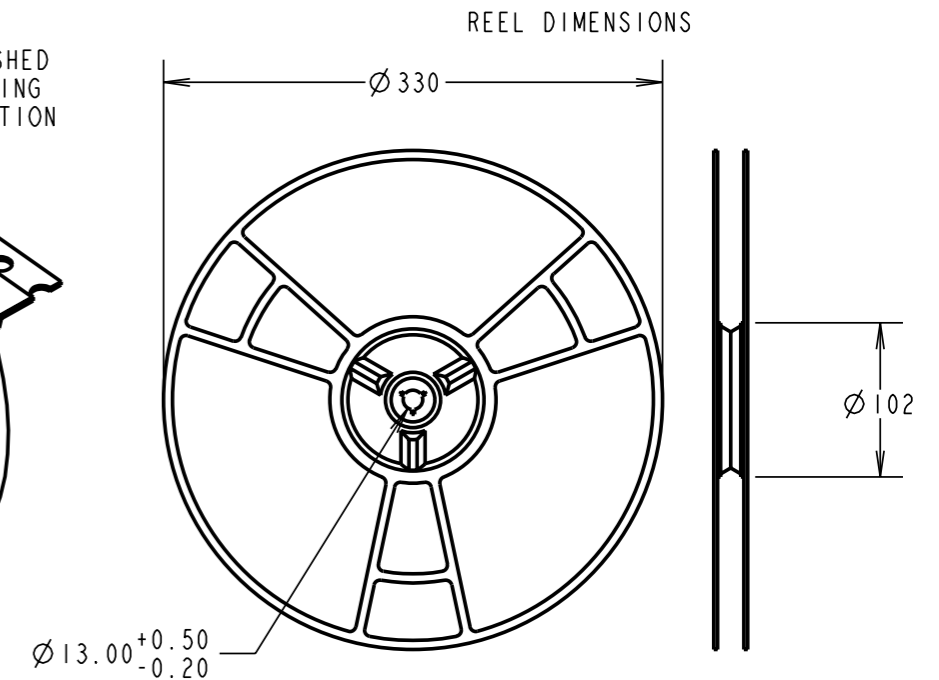
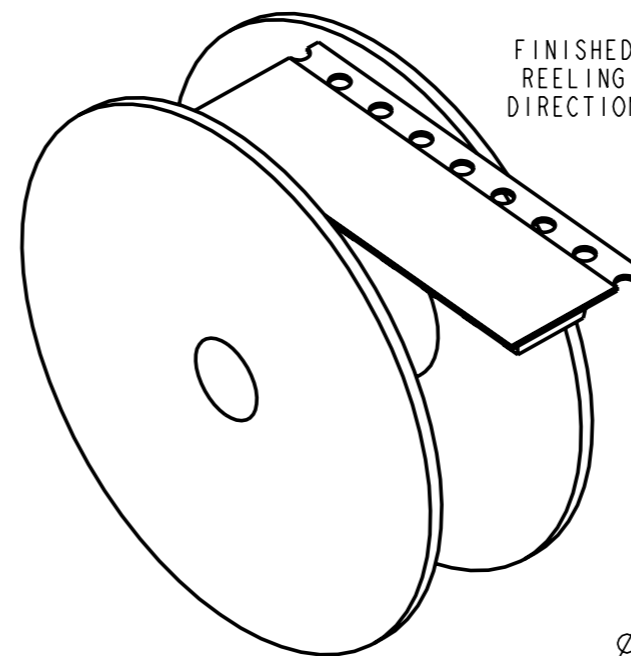
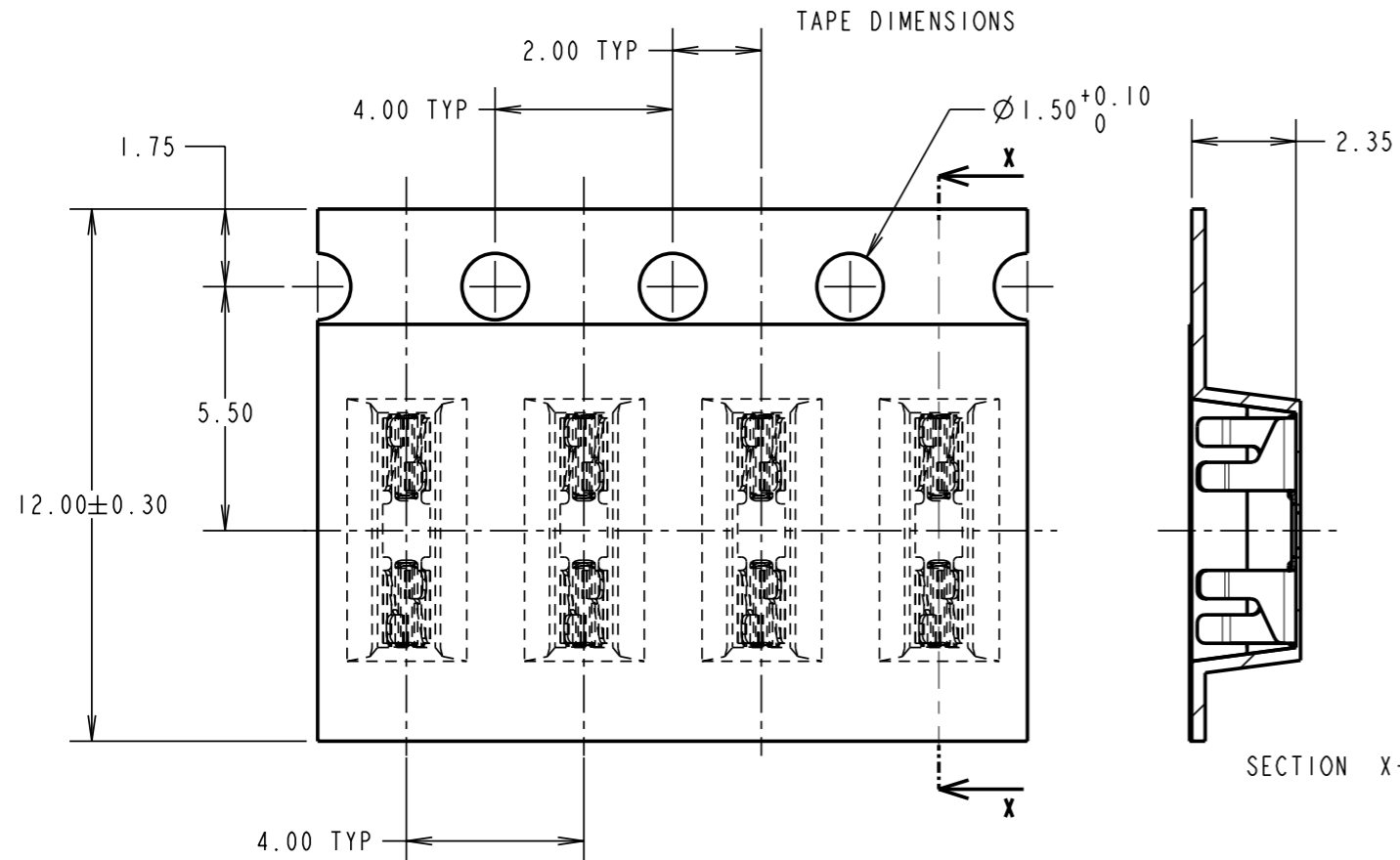
IF IN DOUBT - ASK

©

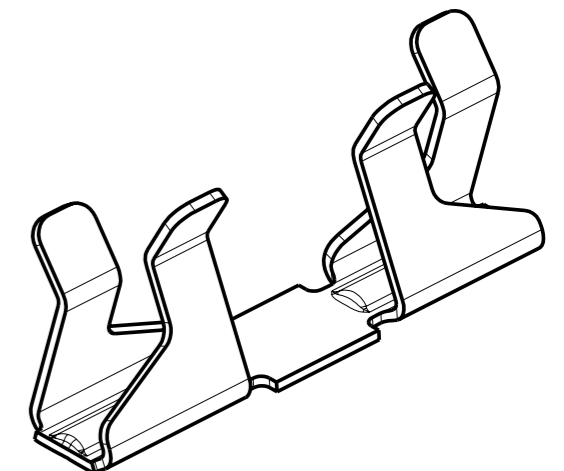
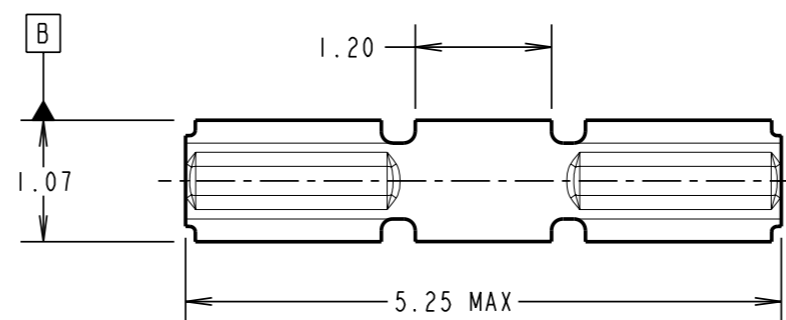
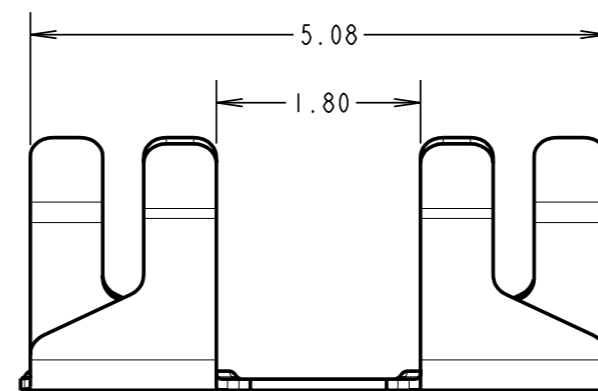
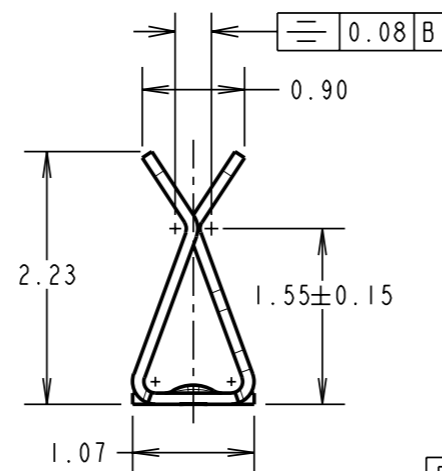
NOT TO SCALE

THIRD ANGLE PROJECTION

ALL DIMENSIONS IN mm



### SINGLE COMPONENT DIMENSIONS

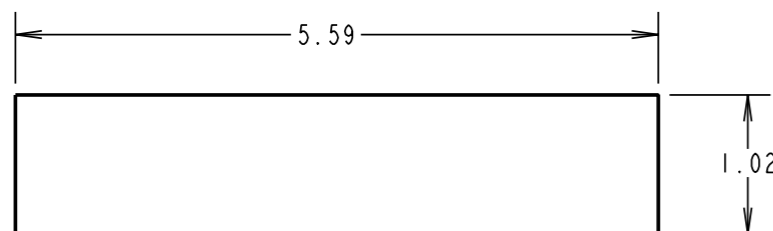


- NOTES:
1. QUANTITY PER REEL = 5,000
  2. THIS PRODUCT IS TAPED AND REELED IN ACCORDANCE WITH EIA-481 (ELECTRONIC INDUSTRIES ASSOCIATION).

COMPONENT SPECIFICATION:  
 MATERIAL = BERYLLIUM COPPER  
 FINISH:  
 06 = 3µ 90/10 TIN/LEAD  
 46 = 3µ 100% TIN  
 SHIELD THICKNESS = 0.13-0.23mm

PERFORMANCE SPECIFICATION:  
 ENGAGEMENT FORCE = 5N MAX.  
 DISENGAGEMENT FORCE = 0.35N MIN.  
 DURABILITY = 15 ACTUATIONS MIN.  
 CONTACT RESISTANCE = 40mΩ MAX.

### RECOMMENDED PAD LAYOUT



MGP	3	28.11.05	8871
NAME	ISS.	DATE	C/NOTE
APPROVED:			PDC
CHECKED:			JMB
DRAWN:			M. G. PLESTED
CUSTOMER REF.:			
ASSEMBLY DRG:			

ORDER CODE:	FINISH:
S1721-06R	TIN/LEAD
S1721-46R	100% TIN

**HARWIN**

HARWIN INC U.S.A. TEL: (812) 542 2540 FAX: (812) 542 2541	HARWIN PLC U.K. TEL: 023 9231 4545 FAX: 023 9231 4590	HARWIN PTE SINGAPORE TEL: 65 6779 4909 FAX: 65 6779 3868
--	--	---

THIS DRAWING AND ANY INFORMATION OR DESCRIPTIVE MATTER SET OUT HEREON ARE CONFIDENTIAL AND COPYRIGHT PROPERTY OF THE HARWIN GROUP AND MUST NOT BE DISCLOSED, LOANED, COPIED OR USED FOR MANUFACTURING, TENDERING OR FOR ANY OTHER PURPOSE WITHOUT THEIR WRITTEN PERMISSION.

TOLERANCES  
 X. = ±1mm  
 X.X = ±0.25mm  
 X.XX = ±0.10mm  
 X.XXX = ±0.01mm  
 ANGLES = ±5°  
 UNLESS STATED

MATERIAL:  
 SEE ABOVE  
 FINISH:  
 S/AREA: mm<sup>2</sup>

TITLE:  
 MINI SMT RFI SHIELD CLIP  
 IN TAPE AND REEL  
 DRAWING NUMBER:  
**S1721-XXR**  
 SHT 2 OF 2