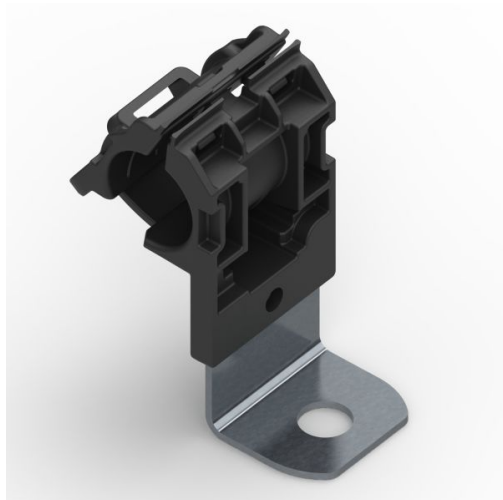


## Specification Sheet

Part Number: 151-01459



Ratchet P-Clamp, 0.52" - 0.77" Bundle Dia, 90° Short, .51" Hole Dia, PA66HIRHSUV/ST/ZN, Black, 280/ctn

**Article Number** 151-01459

**Type** RCB90SM12

**Color** Black (BK)

### Features & Benefits

- One-piece ratchet closure allows for easy installation during pre- or final assembly.
- Easy release feature simplifies quick adjustments and maintenance.
- Impact modified, heat and UV stabilized PA66 provides long-term durability, indoors and out.
- Zinc-plated steel mounting plate tolerates high torque and is treated to resist chemicals and salt spray.
- Angled mounting plates are ideal for stacking RPCs or for avoiding obstructions or heat sources.

**Quantity Per** carton

<b>Product Description</b>	The Ratchet P-Clamp family offers versatility when managing wires, cables and hoses. The robust design and durable materials make it ideal for heavy duty applications, both indoors and out. The one-piece adjustable clamp can be closed by hand to the desired diameter. The release feature provides easy and nondestructive removal of cables simply by using a flat-head screwdriver. This nondestructive release allows the clamp to be reused without removing or replacing any bolts or screws.
<b>Short Description</b>	Ratchet P-Clamp, 0.52" - 0.77" Bundle Dia, 90° Short, .51" Hole Dia, PA66HIRHSUV/ST/ZN, Black, 280/ctn
<b>Global Part Name</b>	RCB90SM12-PA66HIRHSUV/ST/ZN-BK
<b>Minimum Tensile Strength (Imperial)</b>	100.0
<b>Minimum Tensile Strength (Metric)</b>	445.0
<b>Length L (Imperial)</b>	4.01
<b>Length L (Metric)</b>	101.9
<b>Fixation Method</b>	Screw Mounting
<b>Variant</b>	Short
<b>Width W (Imperial)</b>	1.37
<b>Width W (Metric)</b>	34.9
<b>Bundle Diameter Min (Imperial)</b>	0.5
<b>Bundle Diameter Min (Metric)</b>	12.7

<b>Bundle Diameter Max (Imperial)</b>	0.77
<b>Bundle Diameter Max (Metric)</b>	19.5
<b>Cable Tie Width Max (Imperial)</b>	0.52
<b>Cable Tie Width Max (Metric)</b>	13.2
<b>Mounting Hole Diameter D (Imperial)</b>	0.510
<b>Mounting Hole Diameter D (Metric)</b>	12.95 mm
<b>Mounting Hole Diameter D Max (Metric)</b>	12.95
<b>Stud Diameter (Metric)</b>	M12
<b>Mounting Hole Centers (Imperial)</b>	1.05
<b>Material</b>	Zinc plated (ZN) Polyamide 6.6 high impact modified, heat and UV stabilized (PA66HIRHSUV) Steel (ST)
<b>Material Shortcut</b>	ZN PA66HIRHSUV ST
<b>Flammability</b>	UL 94 HB
<b>UV Resistant (Yes/No)</b>	Yes
<b>Operating Temperature (Metric)</b>	-40°F to +221°F (-40°C to +105°C)
<b>Reach Complaint(Article 33)</b>	Yes

**ROHS Complaint** Yes

**UL Listed (US and Canada)** Yes

**UL Listed (US** Yes

**Package Quantity(Imperial)** 280

**Package Quantity (Metric)** 280

**Customs Number** 3926909988

**Content Unit(BMEcat)** pcs.