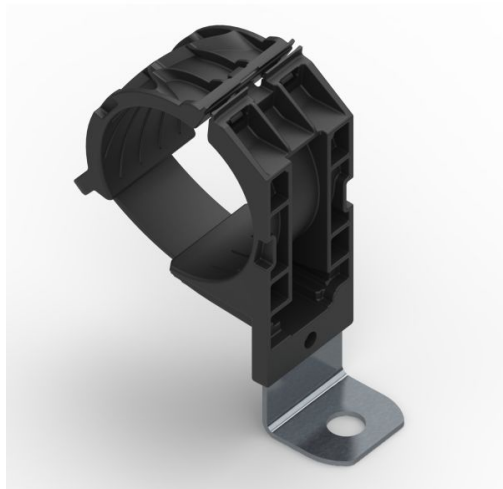


Specification Sheet

Part Number: 151-01518



Ratchet P-Clamp, 1.38" - 2.01" Bundle Dia, 90° Short, .33" Hole Dia, PA66HIRHSUV/ST/ZN, Black, 160/ctn

Article Number 151-01518

Type RCD90SM8

Color Black (BK)

Features & Benefits

- One-piece ratchet closure allows for easy installation during pre- or final assembly.
- Easy release feature simplifies quick adjustments and maintenance.
- Impact modified, heat and UV stabilized PA66 provides long-term durability, indoors and out.
- Zinc-plated steel mounting plate tolerates high torque and is treated to resist chemicals and salt spray.
- Angled mounting plates are ideal for stacking RPCs or for avoiding obstructions or heat sources.

Quantity Per carton

| | |
|--|--|
| Product Description | The Ratchet P-Clamp family offers versatility when managing wires, cables and hoses. The robust design and durable materials make it ideal for heavy duty applications, both indoors and out. The one-piece adjustable clamp can be closed by hand to the desired diameter. The release feature provides easy and nondestructive removal of cables simply by using a flat-head screwdriver. This nondestructive release allows the clamp to be reused without removing or replacing any bolts or screws. |
| Short Description | Ratchet P-Clamp, 1.38" - 2.01" Bundle Dia, 90° Short, .33" Hole Dia, PA66HIRHSUV/ST/ZN, Black, 160/ctn |
| Global Part Name | RCD90SM8-PA66HIRHSUV/ST/ZN-BK |
| Minimum Tensile Strength (Imperial) | 100.0 |
| Minimum Tensile Strength (Metric) | 445.0 |
| Length L (Imperial) | 6.58 |
| Length L (Metric) | 167.2 |
| Fixation Method | Screw Mounting |
| Variant | Short |
| Width W (Imperial) | 1.37 |
| Width W (Metric) | 34.9 |
| Bundle Diameter Min (Imperial) | 1.42 |
| Bundle Diameter Min (Metric) | 36.0 |

| | |
|--|--|
| Bundle Diameter Max (Imperial) | 2.0 |
| Bundle Diameter Max (Metric) | 51.0 |
| Cable Tie Width Max (Imperial) | 0.52 |
| Cable Tie Width Max (Metric) | 13.2 |
| Mounting Hole Diameter D (Imperial) | 0.327 |
| Mounting Hole Diameter D (Metric) | 8.31 mm |
| Mounting Hole Diameter D Max (Metric) | 8.31 |
| Stud Diameter (Metric) | M8 |
| Mounting Hole Centers (Imperial) | 1.67 |
| Material | Polyamide 6.6 high impact modified, heat and UV stabilized (PA66HIRHSUV) Steel (ST) Zinc plated (ZN) |
| Material Shortcut | PA66HIRHSUV ST ZN |
| Flammability | UL 94 HB |
| UV Resistant (Yes/No) | Yes |
| Operating Temperature (Metric) | -40°F to +221°F (-40°C to +105°C) |
| Reach Complaint(Article 33) | Yes |

ROHS Complaint Yes

UL Listed (US and Canada) Yes

UL Listed (US Yes

Package Quantity(Imperial) 160

Package Quantity (Metric) 160

Customs Number 3926909988

Content Unit(BMEcat) pcs.