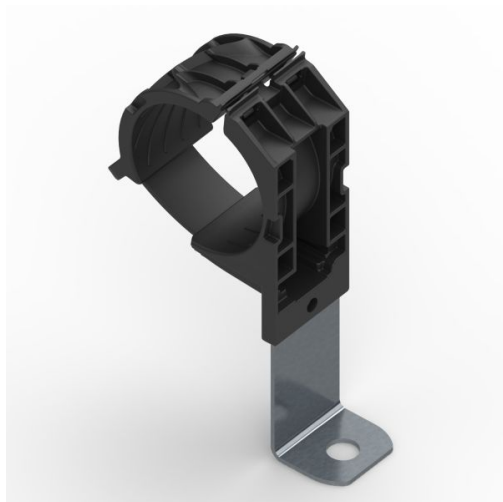


Specification Sheet

Part Number: 151-01522



Ratchet P-Clamp, 1.38" - 2.01" Bundle Dia, 90° Long, .41" Hole Dia, PA66HIRHSUV/ST/ZN, Black, 140/ctn

Article Number 151-01522

Type RCD90LM10

Color Black (BK)

Features & Benefits

- One-piece ratchet closure allows for easy installation during pre- or final assembly.
- Easy release feature simplifies quick adjustments and maintenance.
- Impact modified, heat and UV stabilized PA66 provides long-term durability, indoors and out.
- Zinc-plated steel mounting plate tolerates high torque and is treated to resist chemicals and salt spray.
- Angled mounting plates are ideal for stacking RPCs or for avoiding obstructions or heat sources.

Quantity Per carton

Product Description	The Ratchet P-Clamp family offers versatility when managing wires, cables and hoses. The robust design and durable materials make it ideal for heavy duty applications, both indoors and out. The one-piece adjustable clamp can be closed by hand to the desired diameter. The release feature provides easy and nondestructive removal of cables simply by using a flat-head screwdriver. This nondestructive release allows the clamp to be reused without removing or replacing any bolts or screws.
Short Description	Ratchet P-Clamp, 1.38" - 2.01" Bundle Dia, 90° Long, .41" Hole Dia, PA66HIRHSUV/ST/ZN, Black, 140/ctn
Global Part Name	RCD90LM10-PA66HIRHSUV/ST/ZN-BK
Minimum Tensile Strength (Imperial)	100.0
Minimum Tensile Strength (Metric)	445.0
Length L (Imperial)	7.69
Length L (Metric)	195.2
Fixation Method	Screw Mounting
Variant	Long
Width W (Imperial)	1.37
Width W (Metric)	34.9
Bundle Diameter Min (Imperial)	1.42
Bundle Diameter Min (Metric)	36.0

Bundle Diameter Max (Imperial)	2.0
Bundle Diameter Max (Metric)	51.0
Cable Tie Width Max (Imperial)	0.52
Cable Tie Width Max (Metric)	13.2
Mounting Hole Diameter D (Imperial)	0.405
Mounting Hole Diameter D (Metric)	10.29 mm
Mounting Hole Diameter D Max (Metric)	10.29
Stud Diameter (Metric)	M10
Mounting Hole Centers (Imperial)	1.67
Material	Steel (ST) Polyamide 6.6 high impact modified, heat and UV stabilized (PA66HIRHSUV) Zinc plated (ZN)
Material Shortcut	ST PA66HIRHSUV ZN
Flammability	UL 94 HB
UV Resistant (Yes/No)	Yes
Operating Temperature (Metric)	-40°F to +221°F (-40°C to +105°C)
Reach Complaint(Article 33)	Yes

ROHS Complaint Yes

UL Listed (US and Canada) Yes

UL Listed (US Yes

Package Quantity(Imperial) 140

Package Quantity (Metric) 140

Customs Number 3926909988

Content Unit(BMEcat) pcs.