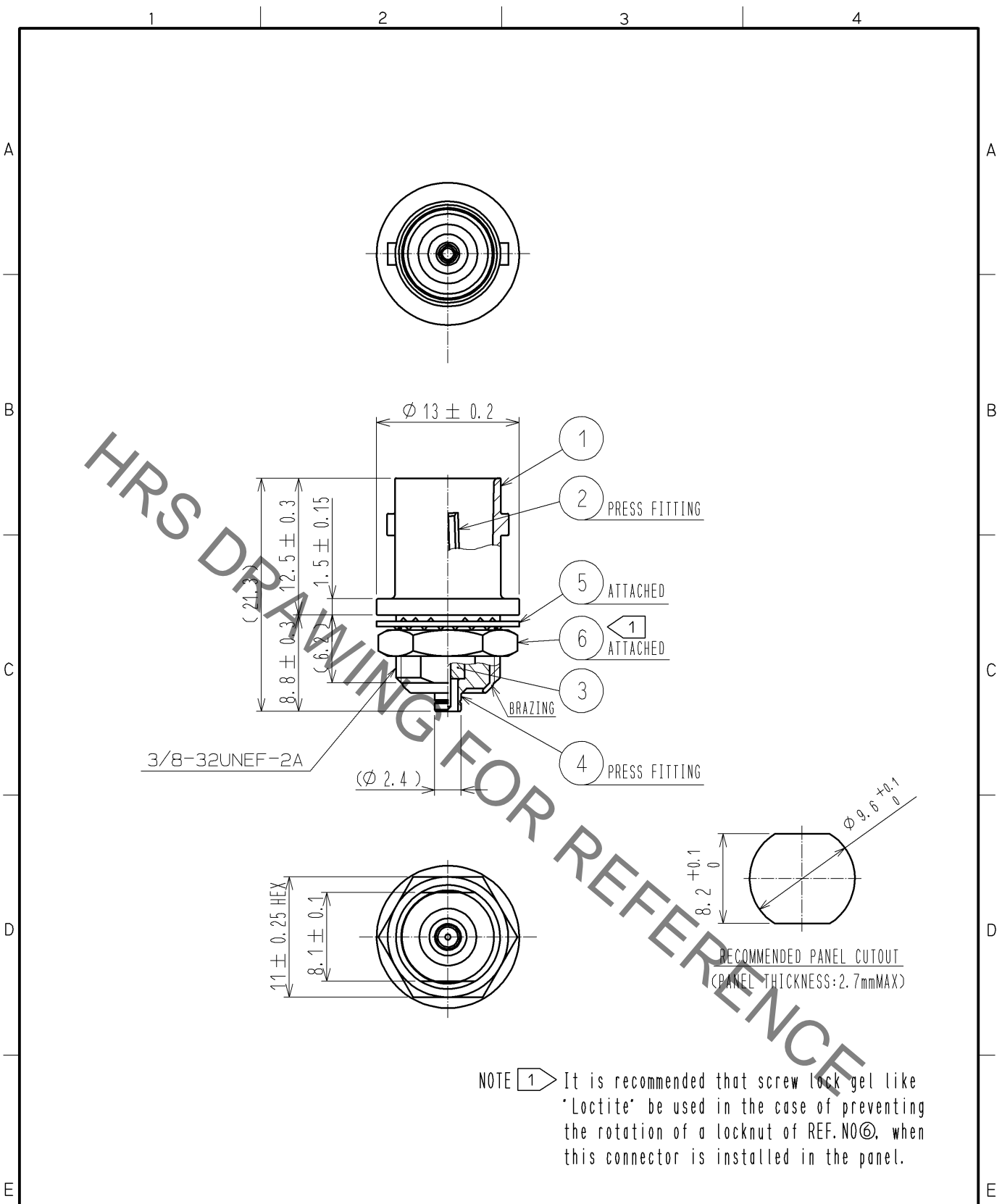


Oct.1.2019 Copyright 2019 HIROSE ELECTRIC CO., LTD. All Rights Reserved.
 In case of consideration for using Automotive equipment / device which demand high reliability, kindly contact our sales window correspondents.



RoHS COMPLIANT

3	PTFE		6	BRASS	NICKEL PLATING
2	PHOSPHOR BRONZE	GOLD PLATING	5	STEEL	NICKEL PLATING
1	ZINC ALLOY	NICKEL PLATING	4	BRASS	NICKEL PLATING
NO.	MATERIAL	FINISH , REMARKS	NO.	MATERIAL	FINISH , REMARKS

UNITS mm		SCALE 2 : 1	COUNT 	DESCRIPTION OF REVISIONS	DESIGNED	CHECKED	DATE
-------------	--	----------------	-----------	--------------------------	----------	---------	------

HRS HIROSE ELECTRIC CO., LTD.	APPROVED : MH. YAMANE	11. 01. 28	DRAWING NO.	EDC4-301127-40	
	CHECKED : TS. NOBE	11. 01. 28	PART NO.	BNC<75>J-H. FLJ-BPA-V<40>	
	DESIGNED : YI. FUNADA	11. 01. 28	CODE NO.	CL311-0374-9-40	
	DRAWN : YI. FUNADA	11. 01. 28			1/1