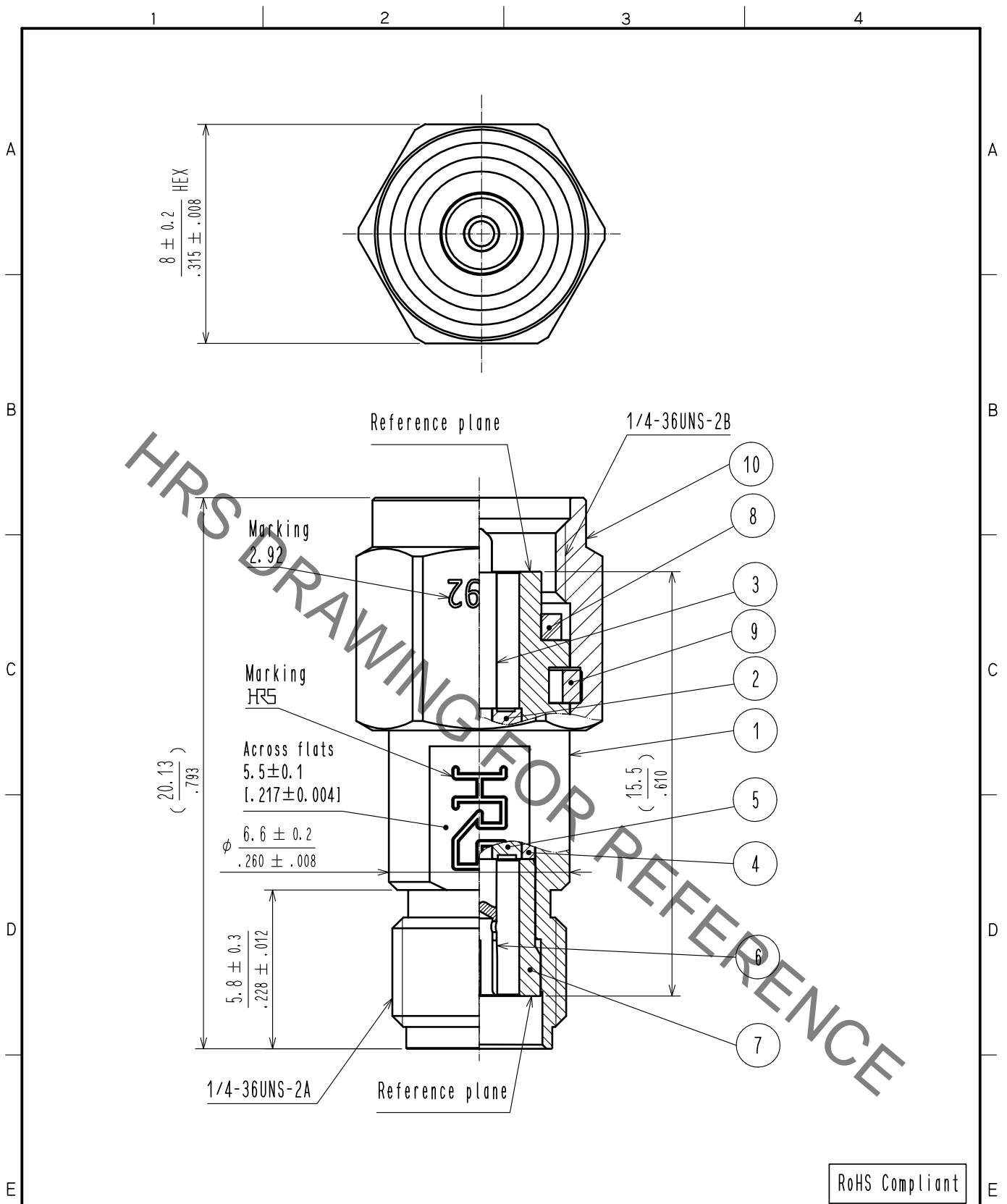


Jun.1.2020 Copyright 2020 HIROSE ELECTRIC CO., LTD. All Rights Reserved.  
 In case of consideration for using Automotive equipment / device which demand high reliability, kindly contact our sales window correspondents.



| 5   | PPO              |                  | 10  | Stainless steel  | Passivate        |
|-----|------------------|------------------|-----|------------------|------------------|
| 4   | Stainless steel  | Gold plated      | 9   | Beryllium copper | Nickel plated    |
| 3   | Beryllium copper | Gold plated      | 8   | Silicone rubber  | (Red)            |
| 2   | PTFE             |                  | 7   | Stainless steel  | Gold plated      |
| 1   | Stainless steel  | Passivate        | 6   | Beryllium copper | Gold plated      |
| NO. | MATERIAL         | FINISH . REMARKS | NO. | MATERIAL         | FINISH . REMARKS |

|                           |  |                                 |                              |                          |          |         |      |
|---------------------------|--|---------------------------------|------------------------------|--------------------------|----------|---------|------|
| UNITS<br>mm               |  | SCALE<br>5 : 1                  | COUNT<br>                    | DESCRIPTION OF REVISIONS | DESIGNED | CHECKED | DATE |
| HIROSE ELECTRIC CO., LTD. |  | APPROVED : KY. SHIMIZU 17.03.15 | DRAWING NO. EDC-374781-00-00 |                          |          |         |      |
|                           |  | CHECKED : KY. SHIMIZU 17.03.15  | PART NO. HK-A-PJ             |                          |          |         |      |
|                           |  | DESIGNED : TY. OZAKI 17.03.15   | CODE NO. CL338-0097-0-00     |                          |          |         |      |
|                           |  | DRAWN : TY. OZAKI 17.03.15      |                              |                          |          |         |      |