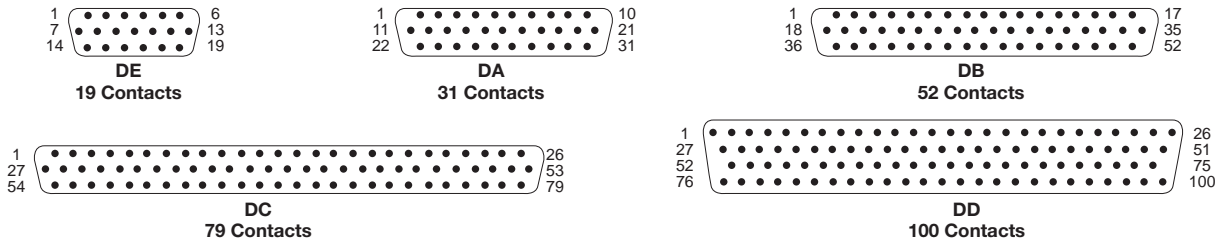


Double Density D - .075" Contact Spacing 2D

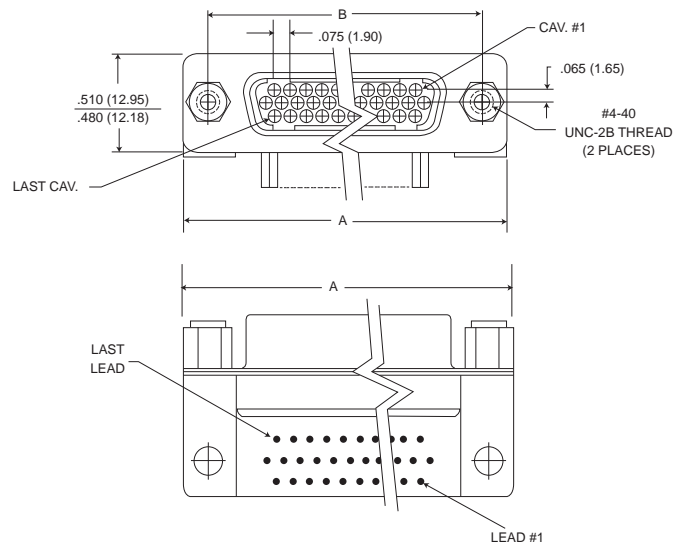
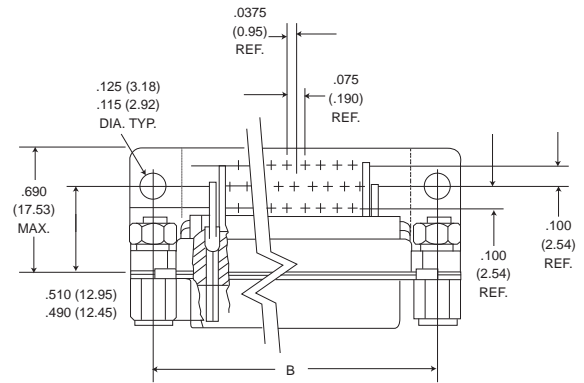
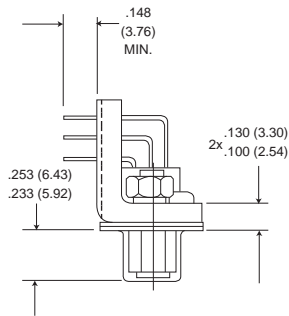
Contact Arrangements

All views are pin front face. Use reverse order for socket side.



Cavity identification numbers are shown for reference only and do not appear on insulator front face. However they do appear on rear of insulator.

90° PCB Mounting - 3 Row



**PCB Termination Leads
(all contact arrangements)
.024 (6.10) to .028 (7.11).**

**Suggested finished PC hole
Size .033 (8.38) +_ .003 (0.08)**

Part Number by Shell Size	A ± .015 (0.38)	B ± .010 (0.25)	C Max.
2DE19SBRP	1.215 (30.86)	.984 (24.99)	.690 (17.53)
2DA31SBRP	1.540 (39.12)	1.312 (33.32)	.690 (17.53)
2DB52SBRP	2.090 (53.09)	1.852 (47.04)	.690 (17.53)
2DC79SBRP	2.730 (69.34)	2.500 (63.50)	.690 (17.53)



Microminiature



Dimensions shown in inches (mm)
Specifications and dimensions subject to change