



Part Number
Key Word



Site Search

TOP

NEWS RELEASE

CONNECTOR SEARCH

CATALOG



SAMPLE

STOCK CHECK

[TOP](#) > [FF02S35SV1](#)

Product List

Product Name	FF02S35SV1
Series Name	FF02S Series
Applicable FPC conductor spacing (mm)	0.3
Number of contacts	35
Connector type	Standard mounting type
Material of contact	Copper alloy
Finish of contact in connecting area	Partial Gold over Nickel
Finish of contact in PCB mounting area	Partial Gold over Nickel
Applicable FPC thickness (mm)	0.12
ZIF or Non-ZIF	ZIF
PCB mounted height (mm)	0.9
FPC entry angle	Right angle (Lower-side contact)

Packing Type	
Quantity in the standard packing	
Remarks	
Related Documents	 
Pair	

Notice:

1. The values specified in this web site are only for reference. The products and their specifications are subject to change without notice. Contact our sales staff for further information before considering or ordering any of our products.
For purchase, a product specification must be agreed upon.
2. Users are requested to provide protection circuits and redundancy circuits to ensure safety of the equipment, and sufficiently review the suitability of JAE's products to the equipment.
3. The products presented in this web site are designed for the uses recommended below. We strongly suggest you contact our sales staff when considering use of any of the products in any other way than the recommended applications or for a specific use that requires an extremely high reliability.
 - (1) Applications that require consultation:
 - (i) Please contact us if you are considering use involving a quality assurance program that you specify or that is peculiar to the industry, such as:

Automotive electrical components, train control, telecommunications devices (mainline), traffic light control, electric power, combustion control, fire prevention or security systems, disaster evention equipment, etc.

- (ii) We may separately give you our support with a quality assurance program that you specify, when you think of a use such as :

Aviation or space equipment, submarine repeaters, nuclear power control systems, medical equipment for life support, etc.

- (2) Recommended applications include:

Computers, office appliances, telecommunications devices (terminals, mobile units), measuring equipment, audiovisual equipment, home electric appliances, factory automation equipment, etc

REV.	DATE	DCN NO.	DESCRIPTION	DR.	CHK.	APPD.	APPD.
2	19.Oct.2005	058469	ADDED NEW ITEMS		K.INOUE		O.HASHIGUCHI
3	24.Nov.2005	058588	ADDED NEW ITEMS		K.INOUE		O.HASHIGUCHI

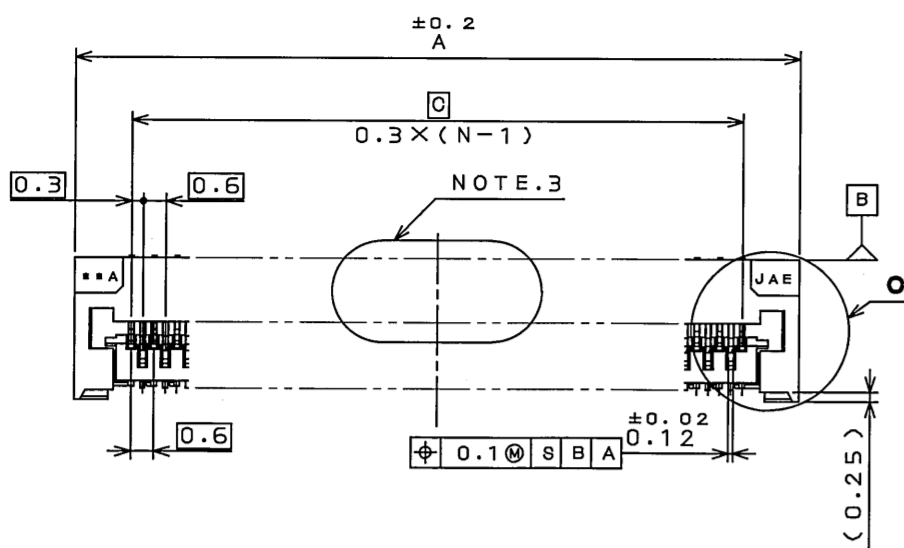
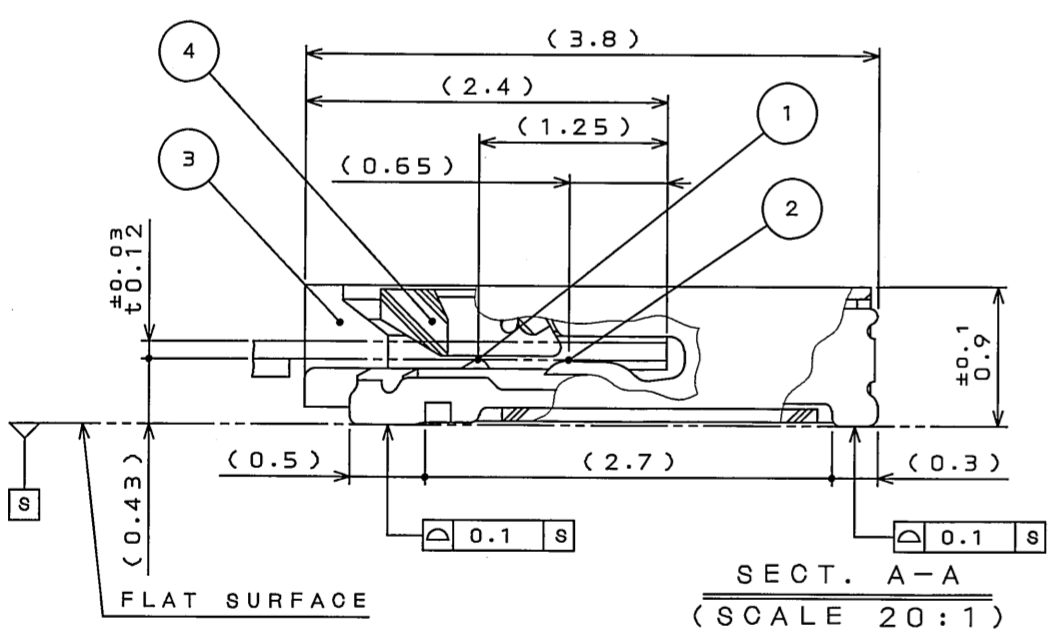
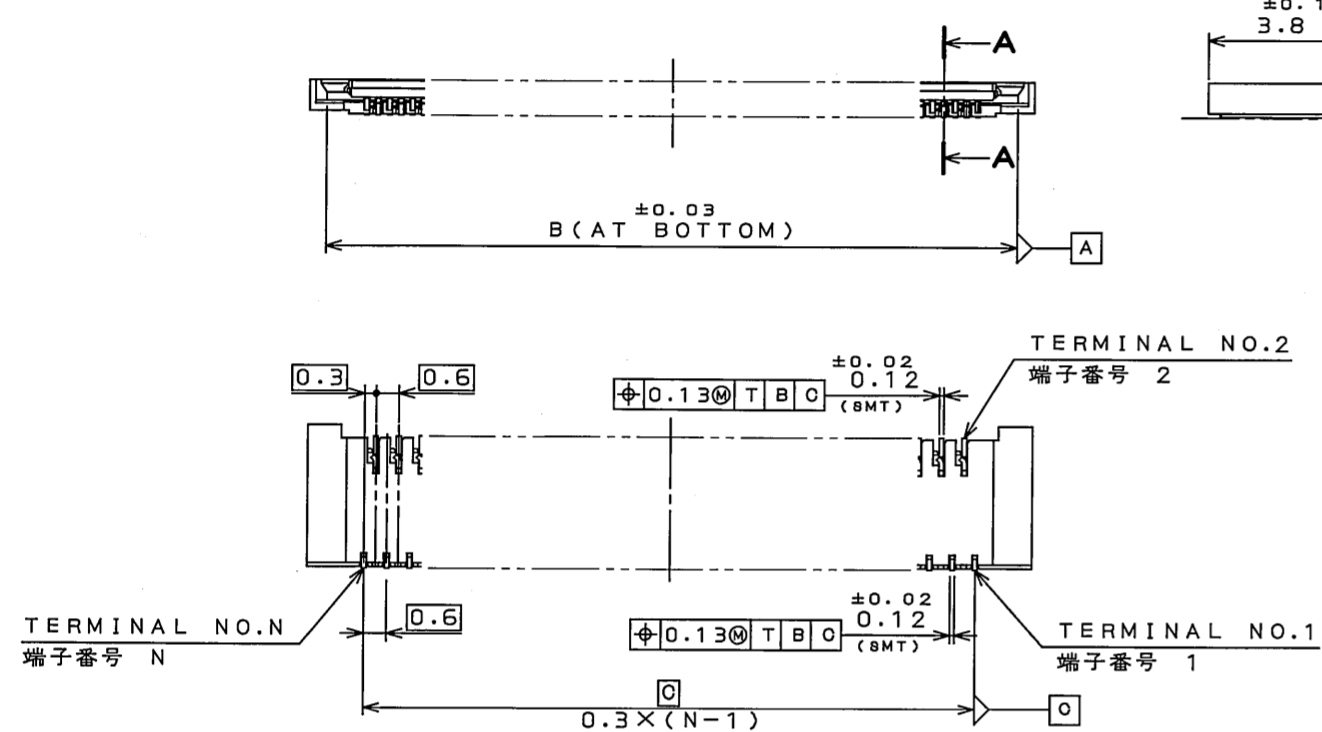
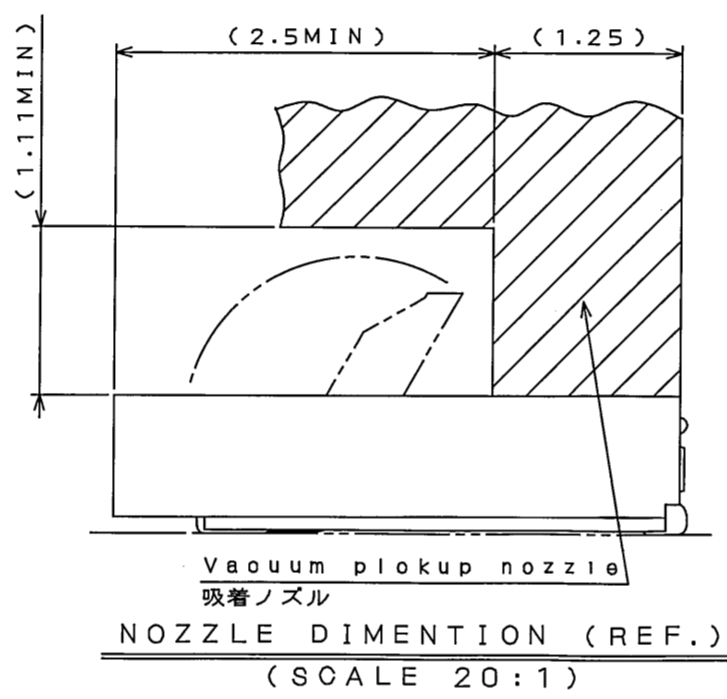
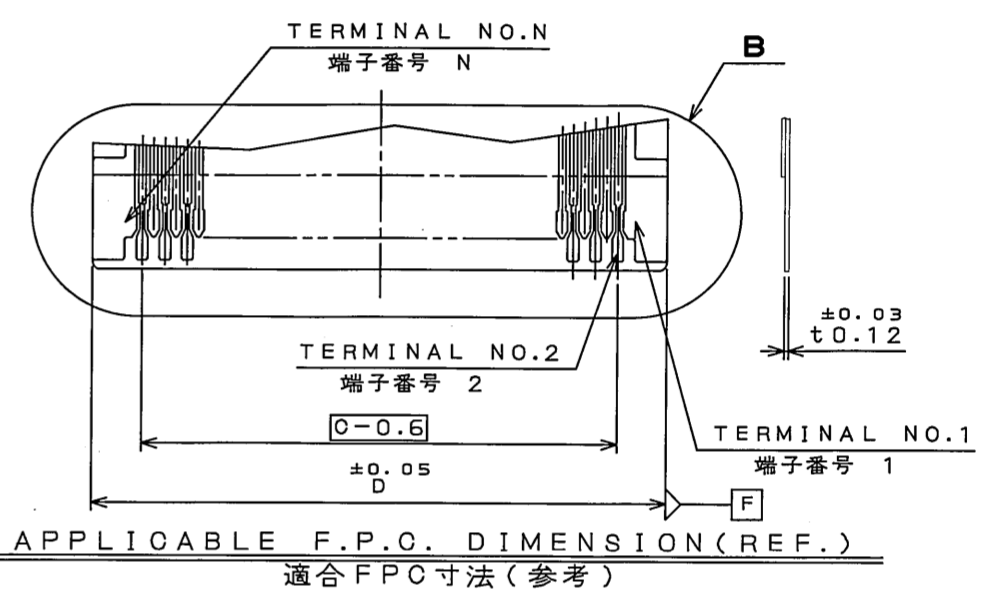
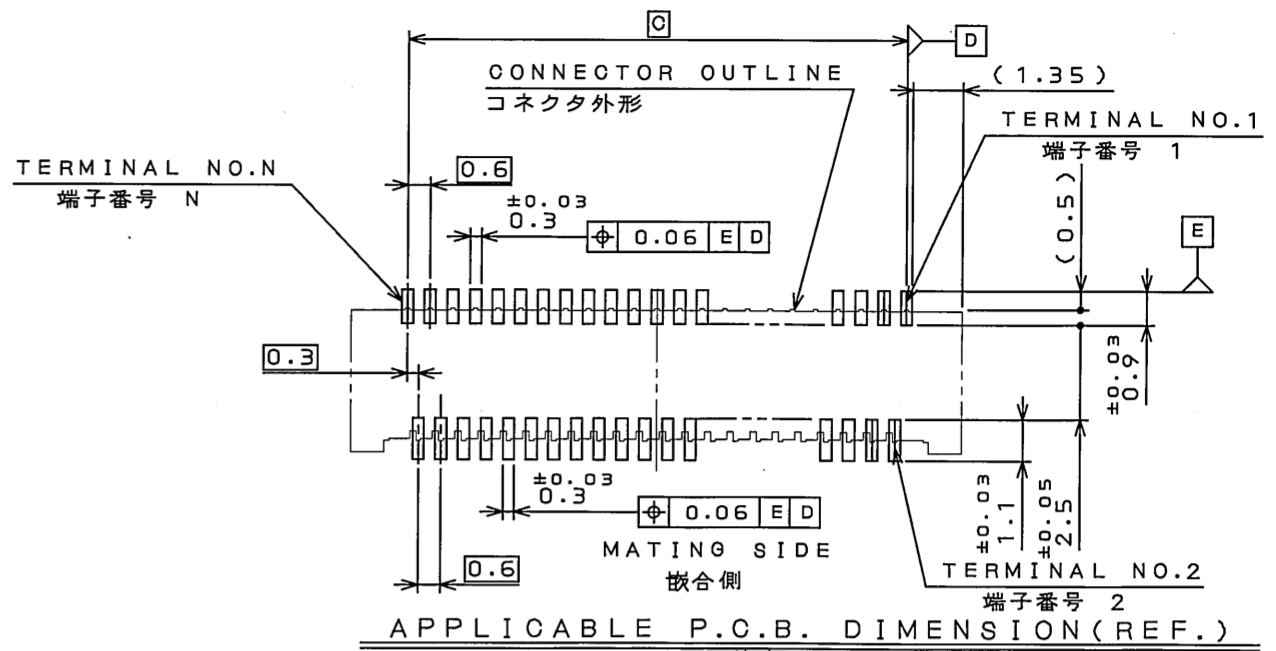


TABLE 1

PRODUCT NO. 品名	A	B	C	D
FF028658V1	22.2	21.31	19.2	21.24
FF028558V1	19.2	18.31	16.2	18.24
FF028458V1	16.2	15.31	13.2	15.24
FF028358V1	13.2	12.31	10.2	12.24
FF028338V1	12.6	11.71	9.6	11.64
FF028318V1	12.0	11.11	9.0	11.04
FF028298V1	11.4	10.51	8.4	10.44
FF028278V1	10.8	9.91	7.8	9.84
FF028258V1	10.2	9.31	7.2	9.24
FF028178V1	7.8	6.91	4.8	6.84
FF028158V1	7.2	6.31	4.2	6.24



NOTE 1. REFER TO TABLE2 ABOUT RCOMMENDED FPC COMPOSITION.
 NOTE 2. TOERANCE OF DIMENSION D IS RECOMMENDED TO BE ± 0.05 IN ORDER TO IMPROOVE PRECISION OF PITCH POSITIONING AND CONNECTION RELIABILITY.
 NOTE 3. LOT NUMBER IS MARKED ON THE TOP CENTER PORTION OF THE CONNECTOR.

注1.推奨FPC構成はTABLE2参照のこと。
 注2.寸法Dはピッチ方向の位置決め精度を高め接触信頼性を高めるために ± 0.05 を推奨する。
 注3.ロット番号がコネクタ上面中央部に表記される。

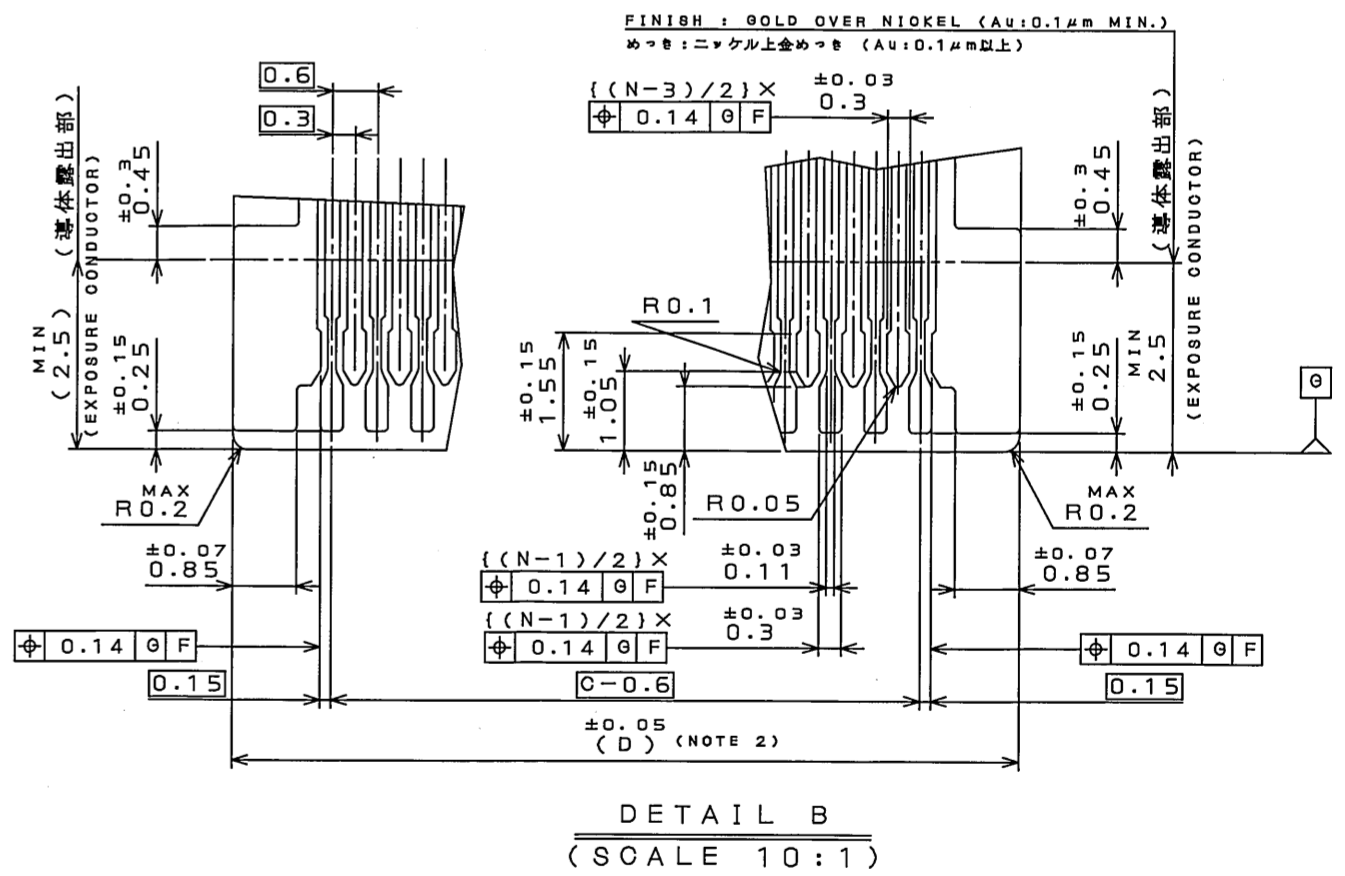


TABLE 2

COMPOSITION 層名		RECOMMENDED 推奨
GOLD PLATING 金めっき	ELECTROLYSIS PLATING 電解めっき	0.1μm MIN
NICKEL PLATING ニッケルめっき	ELECTROLYSIS PLATING 電解めっき	SOFT TYPE IF AVAILABLE
COPPER 銅箔	ROLLED MATERIAL 圧延銅	NOMINAL 18μm MAX
ADHESIVE 接着剤	THERMOSETTING ADHESIVE 熱硬化性	NONE (RECOMMENDED)
BASE FILM ベースフィルム	POLYIMIDE ポリイミド	25μm
ADHESIVE 接着剤	THERMOSETTING ADHESIVE 熱硬化性	30μm MAX
REINFORCE PLATE 補強板	POLYIMIDE ポリイミド	

4	ACTUATOR アクチュエータ	1	PPS		COLOR:BLACK/色相:黒 UL94V-0
3	BASE INSULATOR ベースインシュレータ	1	LCP		COLOR:WHITE/色相:白 UL94V-0
2	CONTACT 2 コンタクト 2	(N-1) 2	COPPER ALLOY 銅合金	PARTIAL GOLD OVER NICKEL(AU:0.1μm MIN.) ニッケル上部分鍍金(AU:0.1μm 以上)	
1	CONTACT 1 コンタクト 1	(N+1) 2	COPPER ALLOY 銅合金	PARTIAL GOLD OVER NICKEL (GOLD:0.03μm MIN.) ニッケル上部分鍍金 (GOLD:0.03μm 以上)	
仕様書 (SPECIFICATION)	JACS-10293-*	第1版 (ORIGINAL DATE) 14.Jul.2005	尺度 (SCALE) 5:1	シリーズ (SERIES) FF02S	備考 日本航空電子工業株式会社 JAPAN AVIATION ELECTRONICS INDUSTRY, LTD.
公差 (GENERAL TOLERANCE)		製図 DR.	担当 CHK.	名称 (TITLE) FF02S* *SV1 (ODD NUMBER OF CONTACTS) (奇数芯数)	図面番号 (DRAWING NO.) SJ104079
寸法 (DIMENSION)		承認 APPD.	承認 APPD.	質量 (MASS)	版数 (REV.) 3
. ±0.8	° ±				
.X ±0.4	°X ±				
.XX ±0.1					
.XXX ±					