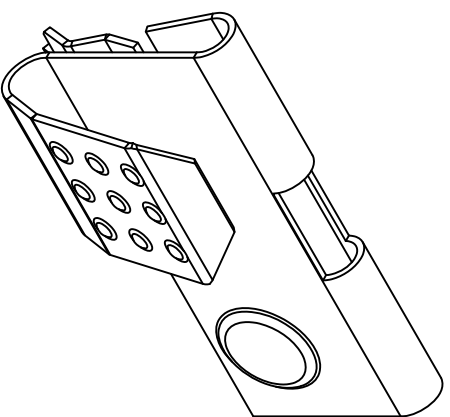
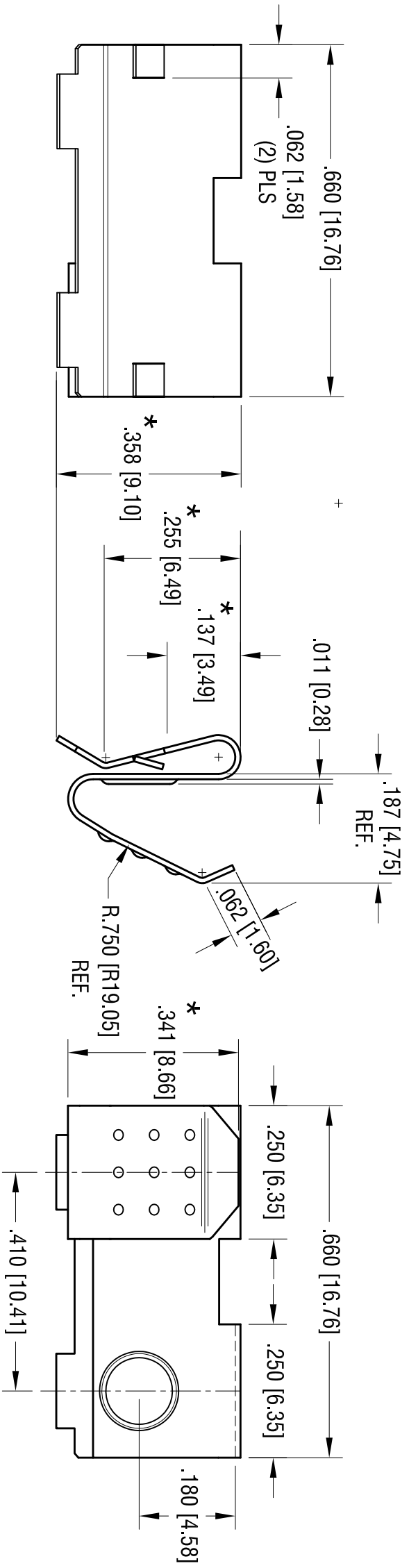


DATE	DESCRIPTION	REV.



- NOTE:
1. HEAT TREAT TO SPRING TEMPER.
  2. DESIGNED TO CLIP OVER PANELS FROM .060 [1.52] THRU .070 [1.78] THK.
  3. \* DENOTES ±.015 [±.38] TOLERANCE

<b>KEYSTONE ELECTRONICS CORP.</b>			
www.keyelco.com • ASTORIA, N.Y. 11105-2017 • Tel (718) 956-8900			
PART NAME		'AAA' CONTACT (RIGHT)	
MATERIAL			
.010 [0.25] THK ANNEALED SPRING STEEL			
FINISH		NICKEL PLATE	
TOLERANCES	INCH	[MM]	CODE
DECIMAL	± .010	[± 0.25 ]	C
ANGULAR	± 1°		
UNLESS OTHERWISE SPECIFIED			
DRN BY	NT	DATE	6.25.10
APP'D		SCALE	4X
DWG NO.		295	

THIS DOCUMENT IS THE PROPERTY OF KEYSTONE ELECTRONICS CORP. AND SHALL NOT BE REPRODUCED, DISTRIBUTED OR USED AS A BASIS FOR MANUFACTURE WITHOUT PRIOR WRITTEN PERMISSION FROM KEYSTONE ELECTRONICS CORP.