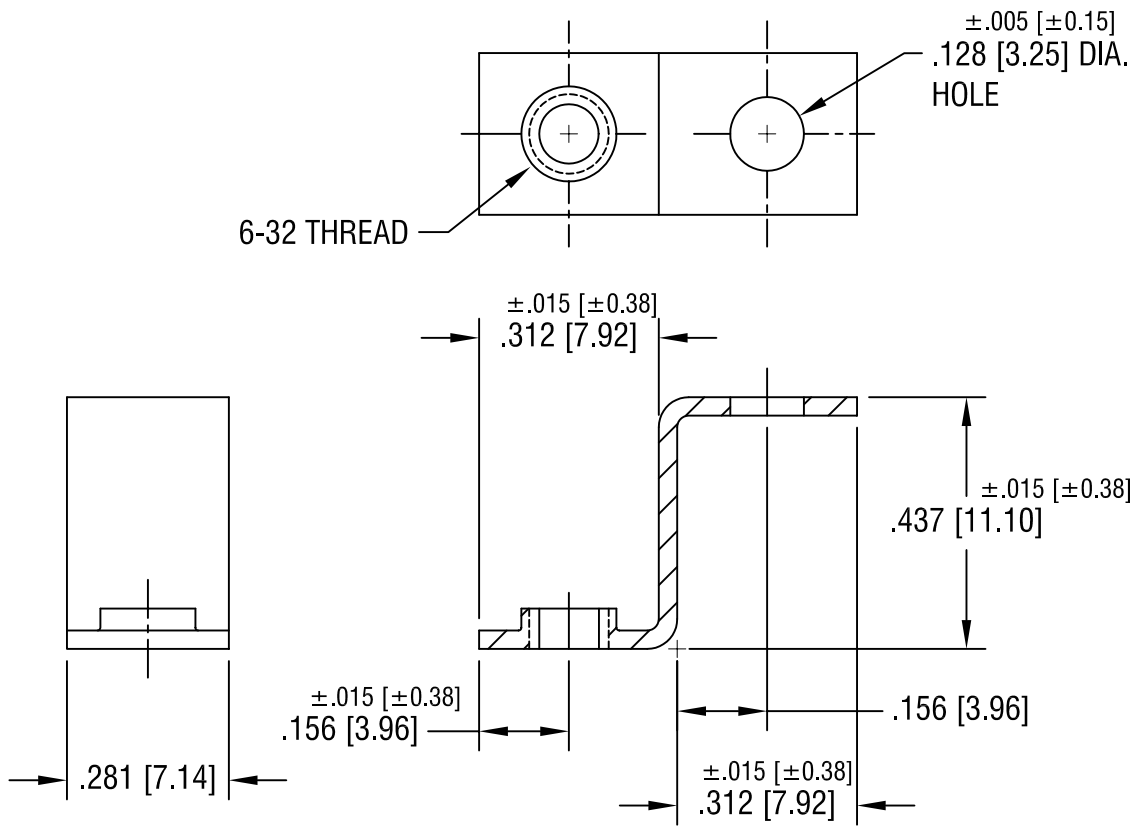


THIS DOCUMENT IS THE PROPERTY OF
KEYSTONE ELECTRONICS CORP. AND
SHALL NOT BE REPRODUCED, DISTRIBUTED
OR USED AS A BASIS FOR MANUFACTURE
WITHOUT PRIOR WRITTEN PERMISSION
FROM KEYSTONE ELECTRONICS CORP.



KEYSTONE ELECTRONICS CORP.			
ASTORIA, N.Y. 11105-2017			
PART NAME			
THREADED MOUNTING BRACKET			
MATERIAL			
.032 [0.81] TH'K BRASS			
FINISH		DRN BY	DATE
TIN PLATE		BOONE	3.3.82
		APPD	SCALE
			3X
TOLERANCES	INCH	[MM]	CODE
DECIMAL	$\pm .010$	$[\pm 0.25]$	C/M
ANGULAR	$\pm 1^\circ$		
UNLESS OTHERWISE SPECIFIED			
DWG NO.		630	

2.13.02	CHANGE AS PER ECN 02-013	B
11.10.00	CHANGE AS PER ECN 00-112	A
DATE	DESCRIPTION	REV.

X-ON Electronics

Authorized Distributor

Click to view similar products for [Mounting Hardware](#) category:

[895-39228](#) [1201280](#) [1201358](#) [R501-000-021](#) [1277](#) [155-012](#) [15504](#) [1597Y](#) [2701761](#) [301-9004-01](#)