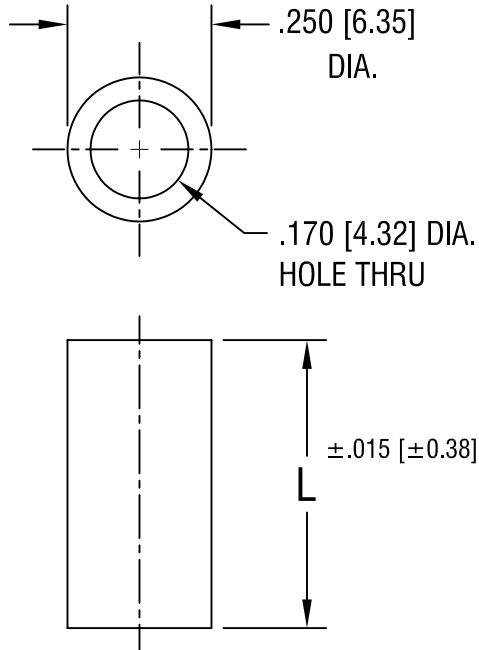


THIS DOCUMENT IS THE PROPERTY OF  
KEYSTONE ELECTRONICS CORP. AND  
SHALL NOT BE REPRODUCED, DISTRIBUTED  
OR USED AS A BASIS FOR MANUFACTURE  
WITHOUT PRIOR WRITTEN PERMISSION  
FROM KEYSTONE ELECTRONICS CORP.



PART NO.	'L' DIM.
891	.125 [3.18]
892	.250 [6.35]
893	.375 [9.52]
894	.500 [12.70]
895	.625 [15.88]
896	.750 [19.05]
897	.875 [22.23]
898	1.000 [25.4]

**KEYSTONE ELECTRONICS CORP.**

ASTORIA, N.Y. 11105-2017

PART NAME

NYLON THRU-HOLE SPACER

MATERIAL

NYLON 6/6

FINISH

-

DRN BY

BOONE

DATE

2.10.98

APPD

SCALE

3X

TOLERANCES

INCH [MM]

DECIMAL ± .005 [± 0.15 ]

ANGULAR ± 1°

UNLESS OTHERWISE SPECIFIED

CODE

C/M

DWG NO.

**891-898**

DATE

DESCRIPTION

REV.

# X-ON Electronics

Authorized Distributor

*Click to view similar products for [Standoffs & Spacers](#) category:*

[M0712-6-N](#) [FM2160-4007-SS](#) [878](#) [1879](#) [SA120x500](#) [FC1644-440-A](#) [STH-19](#) [2149](#)  
[M2151-4007-B-12](#) [389](#)