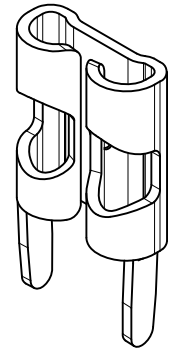
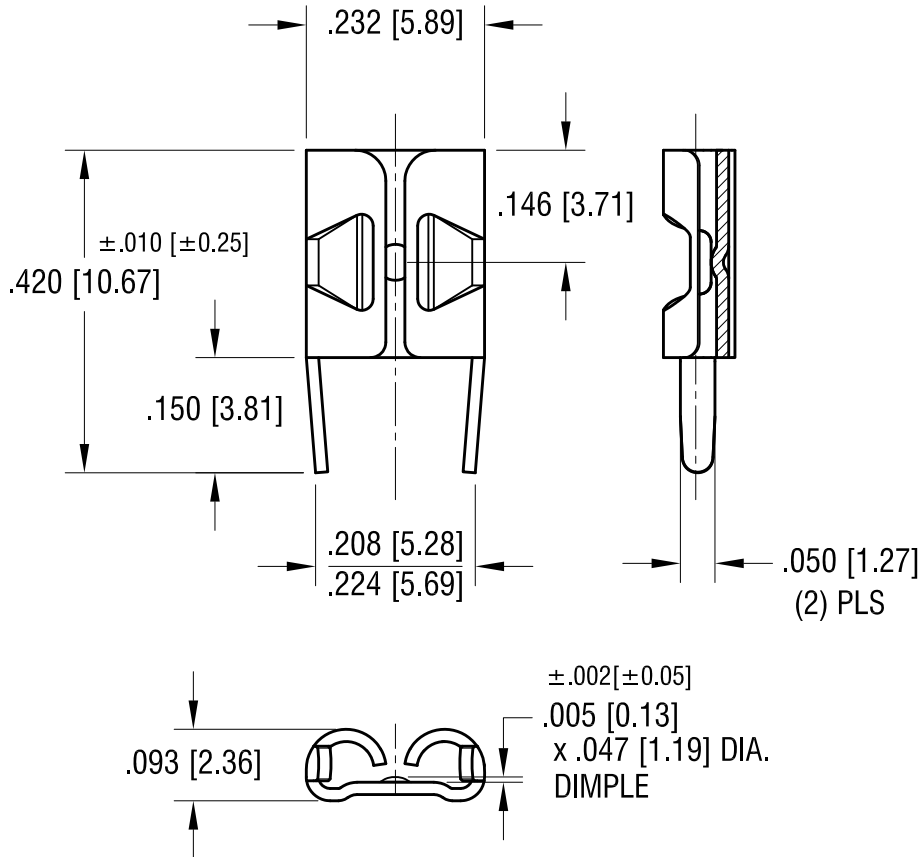
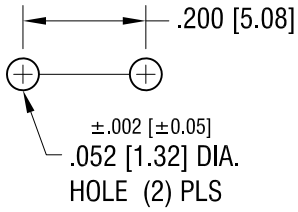


THIS DOCUMENT IS THE PROPERTY OF
KEYSTONE ELECTRONICS CORP. AND
SHALL NOT BE REPRODUCED, DISTRIBUTED
OR USED AS A BASIS FOR MANUFACTURE
WITHOUT PRIOR WRITTEN PERMISSION
FROM KEYSTONE ELECTRONICS CORP.

MOUNTING DETAIL



11.25.19	CHANGE AS PER ECN 19-090	A
DATE	DESCRIPTION	REV.

KEYSTONE ELECTRONICS CORP.		
www.keyelco.com • NEW HYDE PARK, NY 11040 • Tel (516) 328-7500		
PART NAME		
.187 x .020 PC QUICK-FIT TERMINAL		
MATERIAL		
.016 [0.41] TH'K BRASS		
FINISH	DRN BY	DATE
TIN NICKEL PLATE	NT	4.15.09
	APP'D	SCALE
	LN	4X
TOLERANCES	INCH	[MM]
DECIMAL	± .005	[± 0.13]
ANGULAR	± 1°	
UNLESS OTHERWISE SPECIFIED		
CODE	DWG NO.	
C	3578	