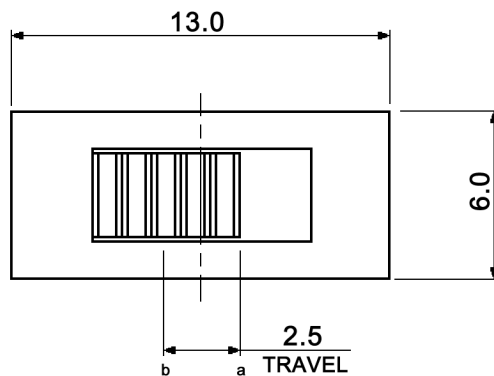
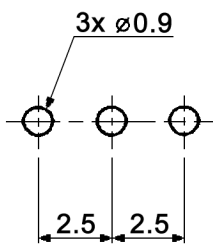
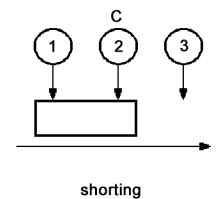


HOLE LAYOUT ± 0.05



CIRCUIT DIAGRAM
C: COMMON PIN
BOTTOM VIEW



Specifications:

- Contact rating: 0.3A, 30V DC
- Contact resistance: 20mOhm max.
- Insulation resistance: 100MOhm min. at 500V DC for 1 minute
- Dielectric strength: 500V AC (50/60Hz, 2mA) for 1 minute
- Operating temperature: -10°C to +60°C
- Mechanical life: 10 000 cycles
- Operating force: 200 +/-100gf
- Soldering conditions: 260 +/-5°C, 5 +/-1sec.
- Material: Terminal: brass strip, silver plated
Contact clip: phosphor bronze, silver plated
Steel ball: carbon steel, natural
Spring: SWC, temper
Base: phenolic resin, natural
Frame: steel, nickel plated
Slider: POM, black



| | | |
|-----------------------------------------------------|-------|------|
| Tolerances: up to 10: ±0.2mm above 10-50: ±0.3mm | Date | Name |
| | 09/10 | dr |
| | | |
| | | |

MFP 1220

knitter-switch

30 21 75

Page

1/1

| | | |
|---------------|------|------|
| Modifications | Date | Name |
|---------------|------|------|