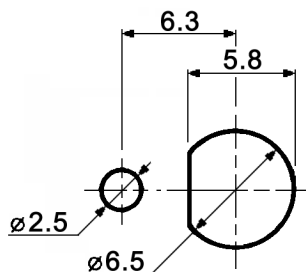


PANEL CUT-OUT



|               |  |  |                       |      |                 |
|---------------|--|--|-----------------------|------|-----------------|
| Tolerances:   |  |  | Date                  | Name | <b>MR x-y</b>   |
|               |  |  | 10/09                 | dr   |                 |
|               |  |  |                       |      |                 |
|               |  |  |                       |      |                 |
|               |  |  | <b>knitter-switch</b> |      | <b>30 19 42</b> |
| Modifications |  |  | Date                  | Name | Page<br>1/6     |

**Specifications:**

**Contact rating:** step angle between 2 positions 30°: 0.15A, 125V AC  
 0.15A, 24V DC  
 step angle between 2 positions 36°: 0.5A, 125V AC  
 0.5A, 24V DC

**Contact resistance:** 10mOhm max.  
**Insulation resistance:** 100MOhm min. at 500V DC  
**Dielectric strength:** 1 000V, 50Hz for the duration of 1 minute  
**Humidity resistance:** 10MOhm after 48hours at 40°C and 95% relative humidity  
**Operating temperature:** -45°C to +110°C  
**Electrical life:** 10 000 - 30 000 cycles depending on load  
**Contact timing:** non-shorting  
**Mounting:** bushing 1/4-40 THD, key 8mm  
**Material:** Contacts: coin silver  
 Body: diallyl phthalate  
 Cover: aluminium  
 Shaft: brass, nickel plated

| x | y   | Poles | Positions | Step angle |
|---|-----|-------|-----------|------------|
| 1 | 10  | 1     | 10        | 36°        |
| 1 | 10C | 1     | 10*       | 36°        |
| 2 | 5   | 2     | 5         | 36°        |
| 3 | 3   | 3     | 3         | 36°        |
| 4 | 2   | 4     | 2         | 36°        |
| 1 | 12  | 1     | 12*       | 30°        |
| 2 | 6   | 2     | 6         | 30°        |
| 3 | 4   | 3     | 4         | 30°        |
| 4 | 3   | 4     | 3         | 30°        |

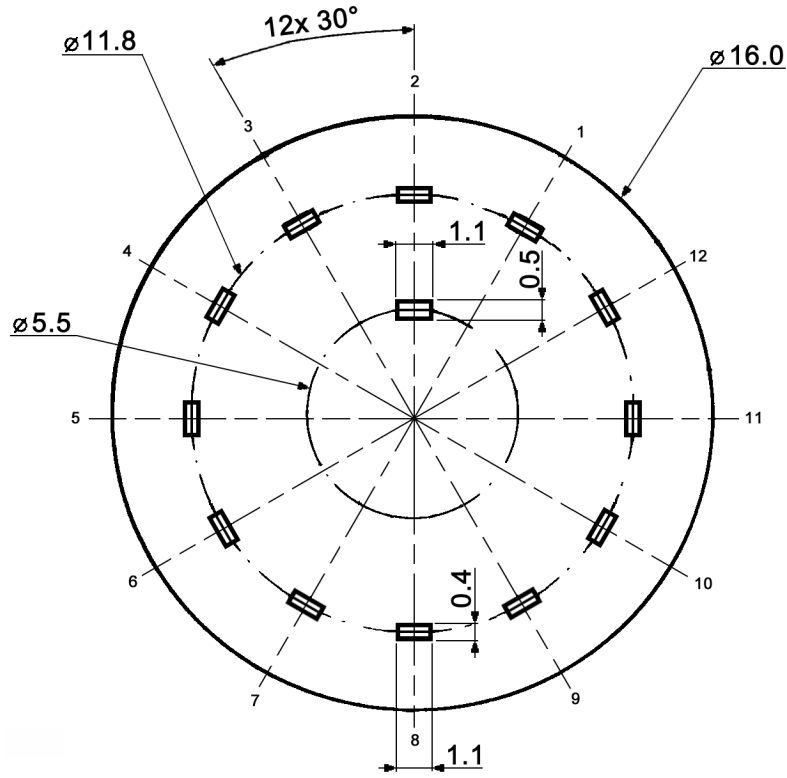
\* = without stopper



|               |      |      |       |      |               |                 |                       |      |
|---------------|------|------|-------|------|---------------|-----------------|-----------------------|------|
| Tolerances:   |      |      | Date  | Name | <b>MR x-y</b> | <b>30 19 42</b> | <b>knitter-switch</b> | Page |
|               |      |      | 10/09 | dr   |               |                 |                       | 2/6  |
|               |      |      |       |      |               |                 |                       |      |
|               |      |      |       |      |               |                 |                       |      |
|               |      |      |       |      |               |                 |                       |      |
| Modifications | Date | Name |       |      |               |                 |                       |      |

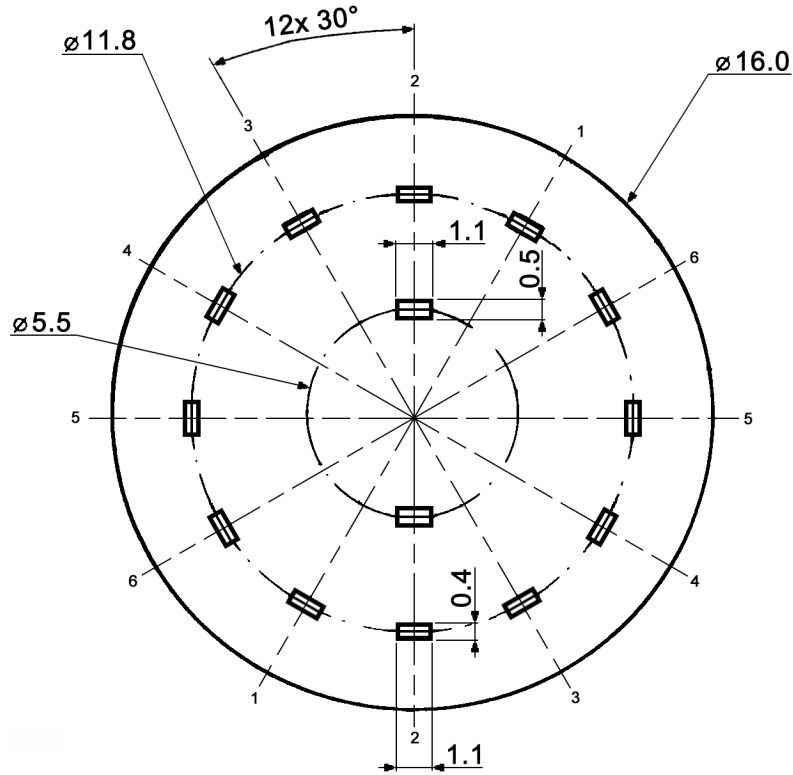
MR 1-12:

VIEW OF CONTACT SIDE



MR 2-6:

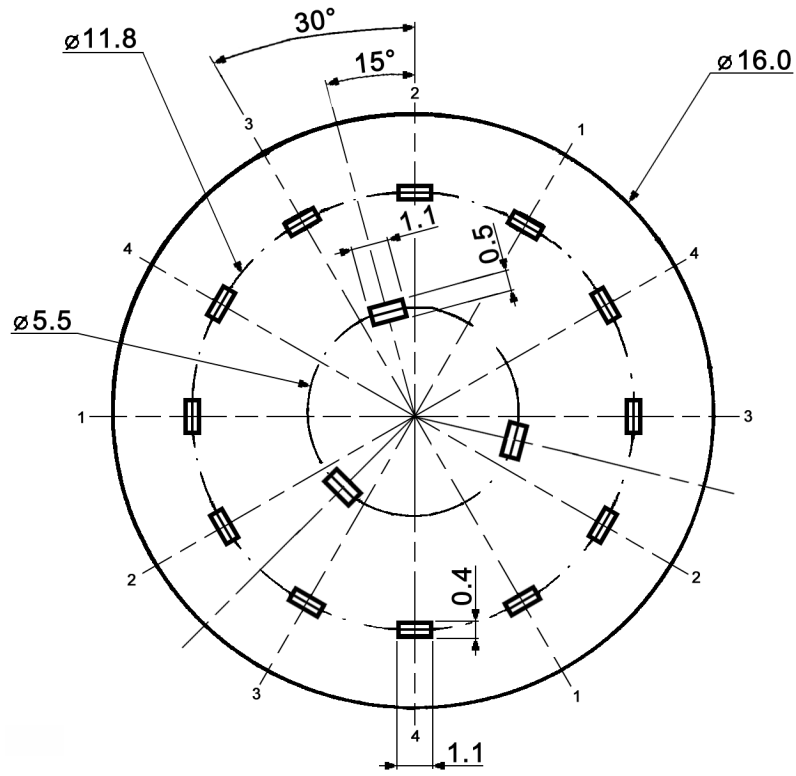
VIEW OF CONTACT SIDE



|               |      |      |                       |      |               |                 |             |
|---------------|------|------|-----------------------|------|---------------|-----------------|-------------|
| Tolerances:   |      |      | Date                  | Name | <b>MR x-y</b> | <b>30 19 42</b> | Page<br>3/6 |
|               |      |      | 10/09                 | dr   |               |                 |             |
|               |      |      |                       |      |               |                 |             |
|               |      |      |                       |      |               |                 |             |
|               |      |      |                       |      |               |                 |             |
|               |      |      | <b>knitter-switch</b> |      |               |                 |             |
| Modifications | Date | Name |                       |      |               |                 |             |

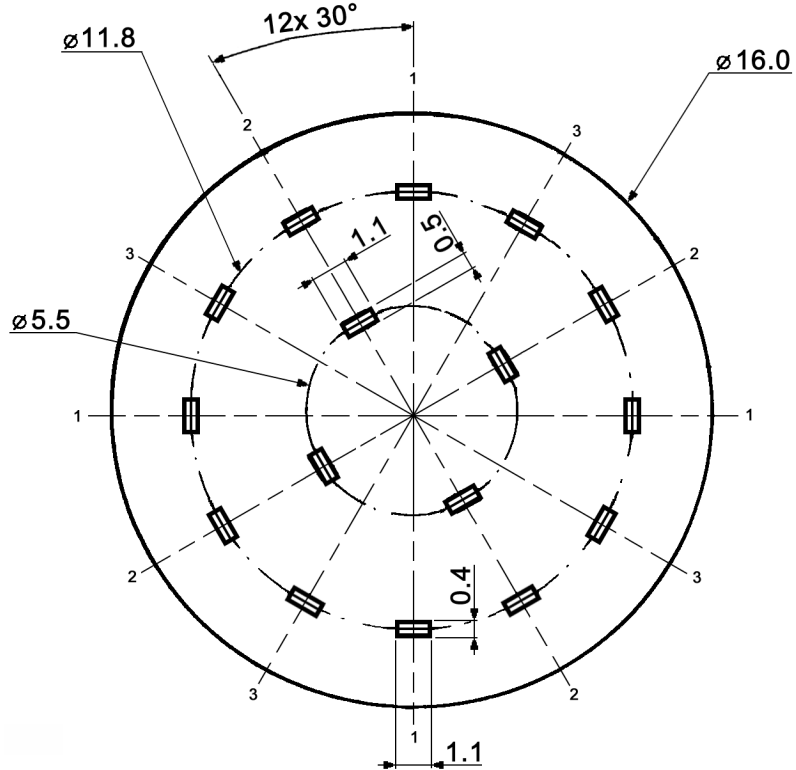
MR 3-4:

VIEW OF CONTACT SIDE



MR 4-3:

VIEW OF CONTACT SIDE



| Tolerances: |  |  | Date  | Name |
|-------------|--|--|-------|------|
|             |  |  | 10/09 | dr   |
|             |  |  |       |      |
|             |  |  |       |      |

MR x-y

**knitter-switch**

**30 19 42**

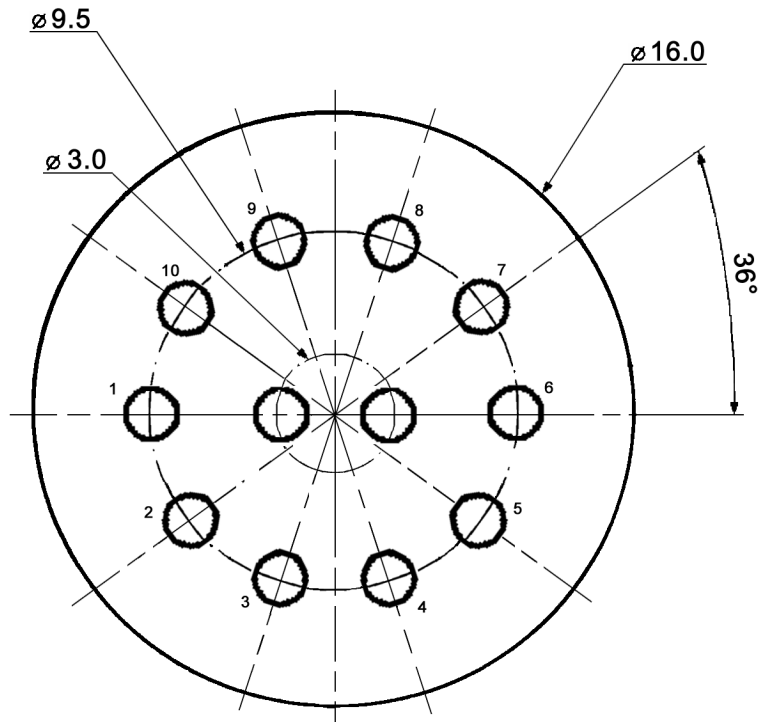
Page

4/6

| Modifications | Date | Name |
|---------------|------|------|
|               |      |      |

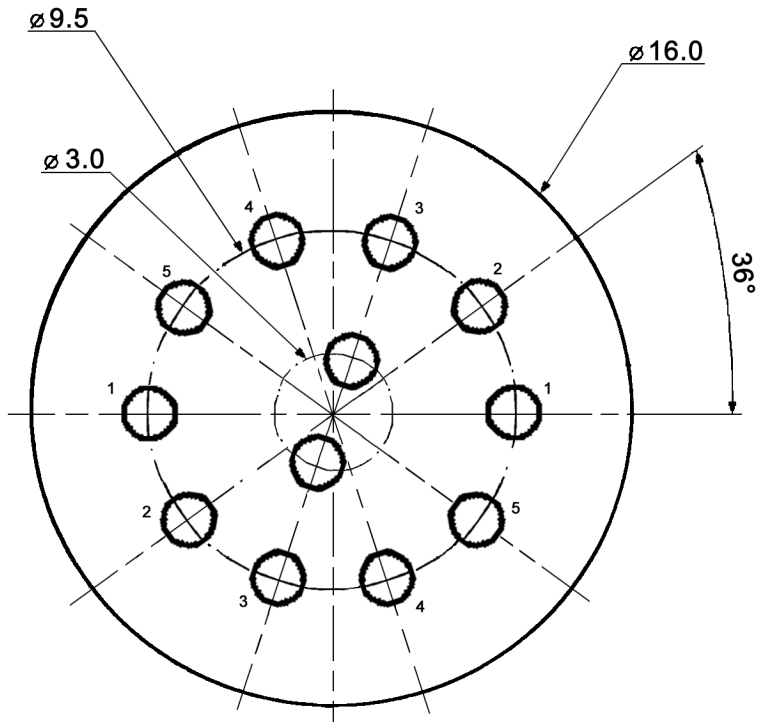
MR 1-10:

VIEW OF CONTACT SIDE



MR 2-5:

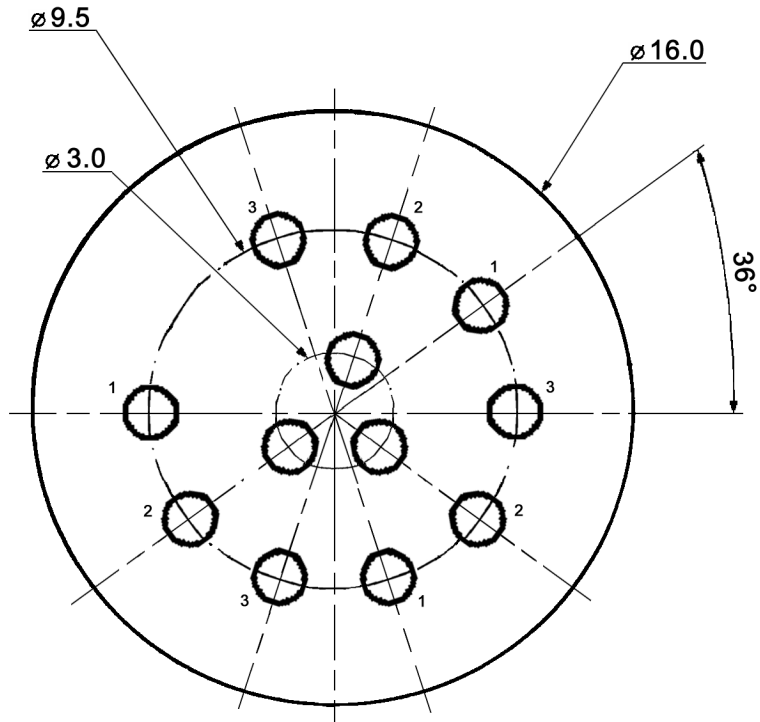
VIEW OF CONTACT SIDE



|               |      |      |                       |      |               |                 |      |
|---------------|------|------|-----------------------|------|---------------|-----------------|------|
| Tolerances:   |      |      | Date                  | Name | <b>MR x-y</b> | <b>30 19 42</b> | Page |
|               |      |      | 10/09                 | dr   |               |                 |      |
|               |      |      |                       |      |               |                 |      |
|               |      |      |                       |      |               |                 |      |
|               |      |      | <b>knitter-switch</b> |      |               |                 | 5/6  |
| Modifications | Date | Name |                       |      |               |                 |      |

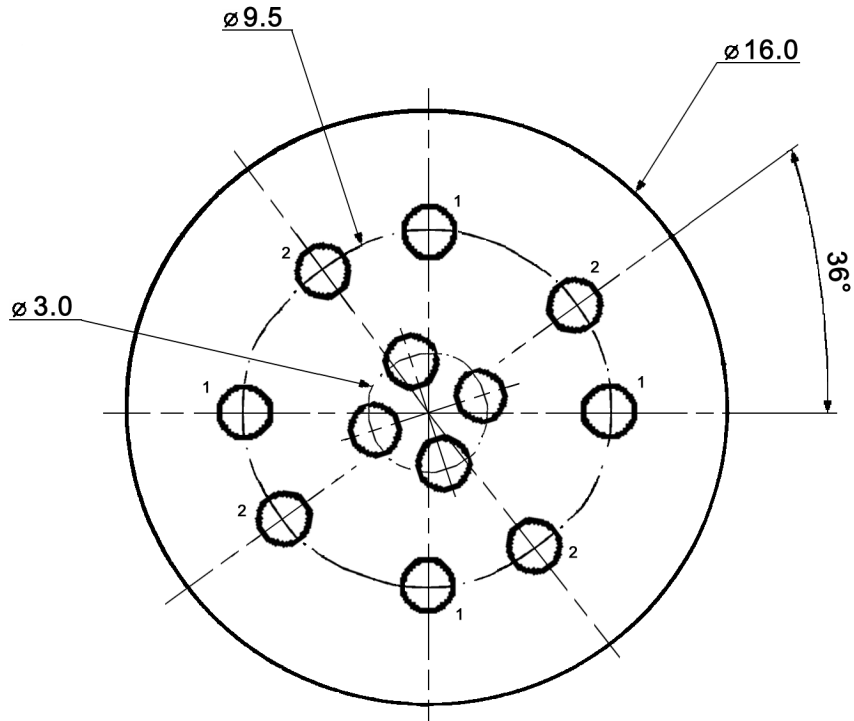
MR 3-3:

VIEW OF CONTACT SIDE



MR 4-2:

VIEW OF CONTACT SIDE



|               |      |      |                       |      |                 |
|---------------|------|------|-----------------------|------|-----------------|
| Tolerances:   |      |      | Date                  | Name | <b>MR x-y</b>   |
|               |      |      | 10/09                 | dr   |                 |
|               |      |      |                       |      |                 |
|               |      |      |                       |      |                 |
|               |      |      |                       |      |                 |
|               |      |      | <b>knitter-switch</b> |      | <b>30 19 42</b> |
| Modifications | Date | Name |                       |      | Page<br>6/6     |