



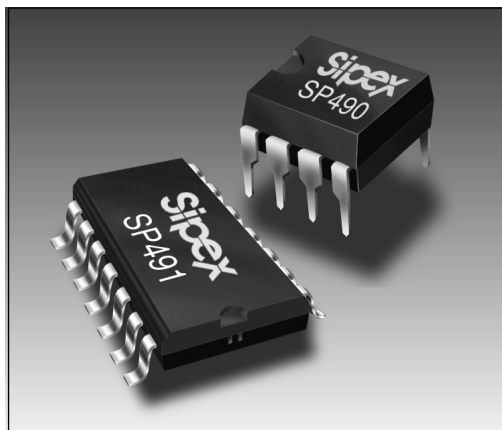
SP490 and SP491

Full Duplex RS-485 Transceivers

FEATURES

- +5V Only
- Low Power BiCMOS
- Driver/Receiver Enable (SP491)
- RS-485 and RS-422 Drivers/Receivers
- Pin Compatible with LTC490 and SN75179 (SP490)
- Pin Compatible with LTC491 and SN75180 (SP491)

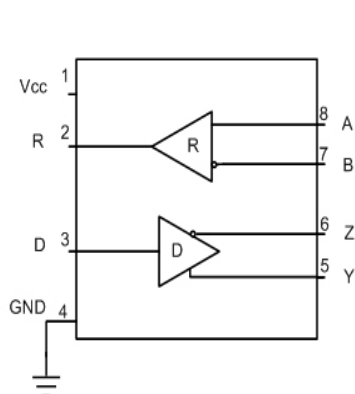
Now Available in Lead Free Packaging



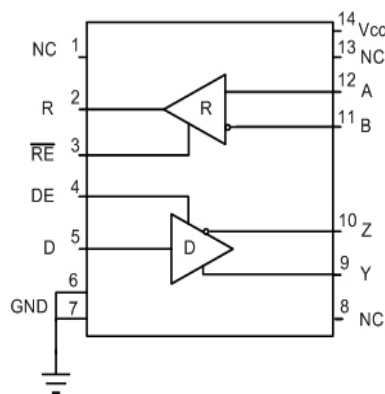
DESCRIPTION

The **SP490** is a low power differential line driver/receiver meeting RS-485 and RS-422 standards up to 5Mbps. The **SP491** is identical to the **SP490** with the addition of driver and receiver tri-state enable lines. Both products feature $\pm 200\text{mV}$ receiver input sensitivity, over wide common mode range. The **SP490** is available in 8-pin plastic DIP and 8-pin NSOIC packages for operation over the commercial and industrial temperature ranges. The **SP491** is available in 14-pin DIP and 14-pin NSOIC packages for operation over the commercial and industrial temperature ranges.

BLOCK DIAGRAMS



SP490



SP491

ABSOLUTE MAXIMUM RATINGS

These are stress ratings only and functional operation of the device at these ratings or any other above those indicated in the operation sections of the specifications below is not implied. Exposure to absolute maximum rating conditions for extended periods of time may affect reliability.

V _{CC}	+7V
Input Voltages	
Drivers.....	-0.5V to (V _{CC} +0.5V)
Receivers.....	±14V
Output Voltages	
Drivers.....	±14V
Receivers.....	-0.5V to (V _{CC} +0.5V)
Storage Temperature.....	-65°C to +150°
Power Dissipation.....	1000mW

ELECTRICAL CHARACTERISTICS

T_{MIN} to T_{MAX} and V_{CC} = 5V ± 5% unless otherwise noted.

PARAMETERS	MIN.	TYP.	MAX.	UNITS	CONDITIONS
SP490 DRIVER					
DC Characteristics					
Differential Output Voltage	GND		V _{CC}	Volts	Unloaded; R = ∞ ; see figure 1
Differential Output Voltage	2		V _{CC}	Volts	With Load; R = 50Ω; (RS422); see figure 1
Differential Output Voltage	1.5		V _{CC}	Volts	With Load; R = 27Ω; (RS485); see figure 1
Change in Magnitude of Driver Differential Output Voltage for Complimentary States			0.2	Volts	R = 27Ω or R = 50Ω; see figure 1
Driver Common-Mode Output Voltage			3	Volts	R = 27Ω or R = 50Ω; see figure 1
Input High Voltage	2.0			Volts	Applies to D
Input Low Voltage			0.8	Volts	Applies to D
Input Current			±10	μA	Applies to D
Driver Short-Circuit Current					
V _{OUT} = HIGH	35		250	mA	-7V ≤ V _O ≤ +12V
V _{OUT} = LOW	35		250	mA	-7V ≤ V _O ≤ +12V
SP490 DRIVER					
AC Characteristics					
Maximum Data Rate	5			Mbps	
Driver Input to Output		30	60	ns	t _{PLH} ; R _{DIFF} = 54Ω, C _{L1} = C _{L2} = 100pF; see figures 3 and 6
Driver Input to Output		30	60	ns	t _{PHL} ; R _{DIFF} = 54Ω, C _{L1} = C _{L2} = 100pF; see figures 3 and 6
Driver Skew		5		ns	see figures 3 and 6;
Driver Rise or Fall Time		15	40	ns	t _{SKEW} = t _{DPLH} - t _{DPHL} From 10% to 90%; R _{DIFF} = 54Ω, C _{L1} = C _{L2} = 100pF; see figures 3 and 6
SP490 RECEIVER					
DC Characteristics					
Differential Input Threshold	0.2		+0.2	Volts	-7V ≤ V _{CM} ≤ 12V
Input Hysteresis		70		mV	V _{CM} = 0V
Output Voltage High	3.5			Volts	I _O = -4mA, V _{ID} = +200mV
Output Voltage Low			0.4	Volts	I _O = +4mA, V _{ID} = -200mV
Input Resistance	12	15		kΩ	-7V ≤ V _{CM} ≤ 12V
Input Current (A, B); V _{IN} = 12V			±1.0	mA	V _{IN} = 12V
Input Current (A, B); V _{IN} = -7V			-0.8	mA	V _{IN} = -7V
Short-Circuit Current			85	mA	0V ≤ V _O ≤ V _{CC}

ELECTRICAL CHARACTERISTICS

T_{MIN} to T_{MAX} and $V_{CC} = 5V \pm 5\%$ unless otherwise noted.

PARAMETERS	MIN.	TYP.	MAX.	UNITS	CONDITIONS
SP490 RECEIVER					
AC Characteristics					
Maximum Data Rate	5			Mbps	
Receiver Input to Output		90	150	ns	$t_{PLH}, R_{DIFF} = 54\Omega$, $C_{L1} = C_{L2} = 100pF$; Figures 3 & 8
Receiver Input to Output		90	150	ns	$t_{PHL}, R_{DIFF} = 54\Omega$, $C_{L1} = C_{L2} = 100pF$; Figures 3 & 8
Diff. Receiver Skew $ t_{PLH} - t_{PHL} $		13		ns	$R_{DIFF} = 54\Omega$; $C_{L1} = C_{L2} = 100pF$; Figures 3 & 8
POWER REQUIREMENTS					
Supply Voltage	+4.75		+5.25	Volts	
Supply Current		900		μA	
ENVIRONMENTAL AND MECHANICAL					
Operating Temperature					
Commercial (C_)	0		+70	$^{\circ}C$	
Industrial (E_)	-40		+85	$^{\circ}C$	
Storage Temperature	-65		+150	$^{\circ}C$	
Package					
Plastic DIP (_S)					
NSOIC (_N)					

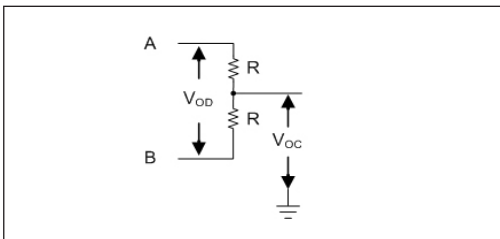


Figure 1. Driver DC Test Load Circuit

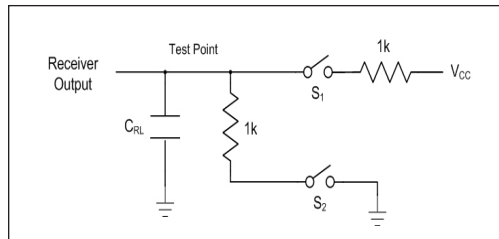


Figure 2. Receiver Timing Test Load Circuit

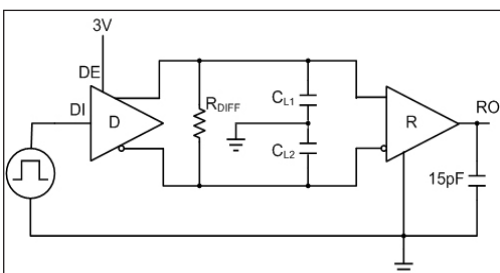


Figure 3. Driver/Receiver Timing Test Circuit

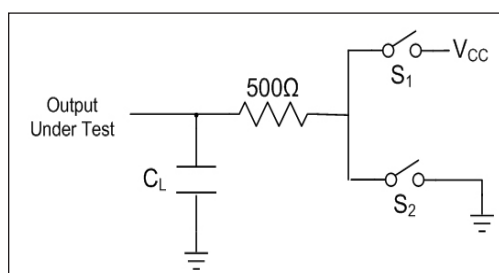


Figure 4. Driver Timing Test Load #2 Circuit

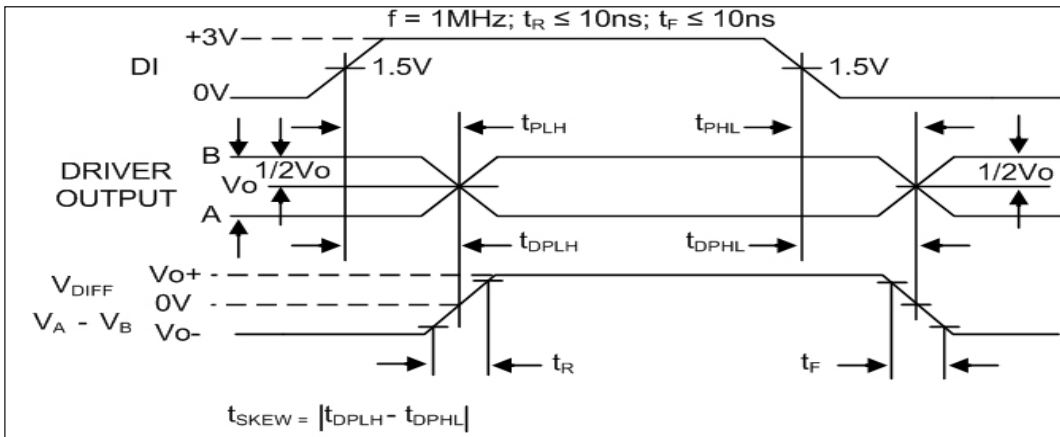


Figure 6. Driver Propagation Delays

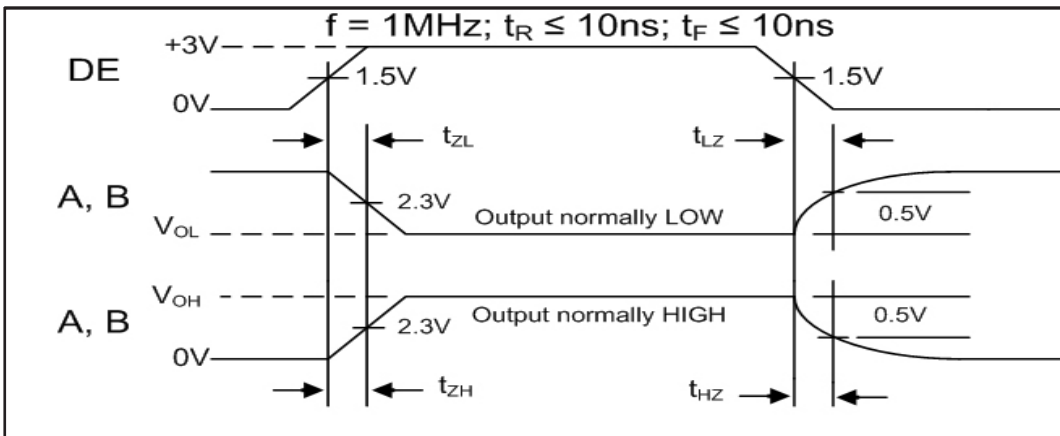


Figure 7. Driver Enable and Disable Times

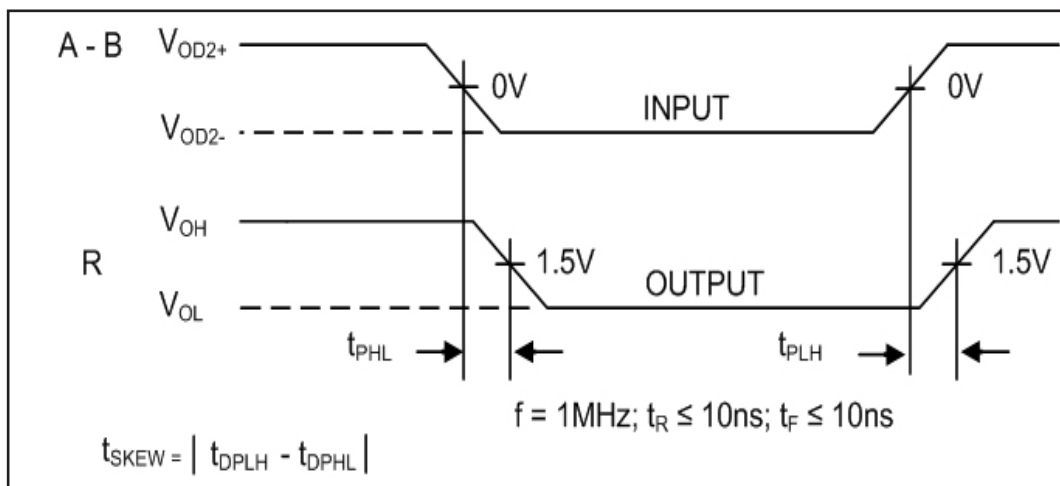


Figure 8. Receiver Propagation Delays

ABSOLUTE MAXIMUM RATINGS

These are stress ratings only and functional operation of the device at these ratings or any other above those indicated in the operation sections of the specifications below is not implied. Exposure to absolute maximum rating conditions for extended periods of time may affect reliability.

V _{CC}	+7V
Input Voltages	
Logic.....	-0.5V to (V _{CC} +0.5V)
Drivers.....	-0.5V to (V _{CC} +0.5V)
Receivers.....	±14V
Output Voltages	
Logic.....	-0.5V to (V _{CC} +0.5V)
Drivers.....	±14V
Receivers.....	-0.5V to (V _{CC} +0.5V)
Storage Temperature.....	-65°C to +150
Power Dissipation.....	1000mW

ELECTRICAL CHARACTERISTICS

T_{MIN} to T_{MAX} and V_{CC} = 5V ± 5% unless otherwise noted.

PARAMETERS	MIN.	TYP.	MAX.	UNITS	CONDITIONS
SP491 DRIVER					
DC Characteristics					
Differential Output Voltage	GND		V _{CC}	Volts	Unloaded; R = ∞ ; see figure 1
Differential Output Voltage	2		V _{CC}	Volts	With Load; R = 50Ω; (RS422); see figure 1
Differential Output Voltage figure 1	1.5		V _{CC}	Volts	With Load; R = 27Ω; (RS485); see figure 1
Change in Magnitude of Driver Differential Output Voltage for Complimentary States			0.2	Volts	R = 27Ω or R = 50Ω; see figure 1
Driver Common-Mode Output Voltage			3	Volts	R = 27Ω or R = 50Ω; see figure 1
Input High Voltage	2.0			Volts	Applies to D, REB, DE
Input Low Voltage			0.8	Volts	Applies to D, REB, DE
Input Current			±10	µA	Applies to D, REB, DE
Driver Short-Circuit Current					
V _{OUT} = HIGH	35		250	mA	-7V ≤ V _O ≤ 12V
V _{OUT} = LOW	35		250	mA	-7V ≤ V _O ≤ 12V
SP491 DRIVER					
AC Characteristics					
Maximum Data Rate	5			Mbps	REB = 5V, DE = 5V
Driver Input to Output	20	30	60	ns	t _{PLH} ; R _{DIFF} = 54Ω, C _{L1} = C _{L2} = 100pF; see figures 3 and 6
Driver Input to Output	20	30	60	ns	t _{PHL} ; R _{DIFF} = 54Ω, C _{L1} = C _{L2} = 100pF; see figures 3 and 6
Driver Skew		5	10	ns	see figures 3 and 6, t _{SKREW} = t _{DPLH} - t _{DPHL}
Driver Rise or Fall Time	3	15	40	ns	From 10% to 90%; R _{DIFF} = 54Ω, C _{L1} = C _{L2} = 100pF; see figures 3 and 6
Driver Enable to Output High		40	70	ns	C _{L1} = C _{L2} = 100pF; see figures 4 and 7; S ₂ closed
Driver Enable to Output Low		40	70	ns	C _{L1} = C _{L2} = 100pF; see figures 4 and 7; S ₁ closed
Driver Disable Time from Low		40	70	ns	C _{L1} = C _{L2} = 100pF; see figures 4 and 7; S ₁ closed
Driver Disable Time from High		40	70	ns	C _{L1} = C _{L2} = 100pF; see figures 4 and 7; S ₂ closed

ELECTRICAL CHARACTERISTICS

T_{MIN} to T_{MAX} and $V_{CC} = 5V \pm 5\%$ unless otherwise noted.

PARAMETERS	MIN.	TYP.	MAX.	UNITS	CONDITIONS
SP491 RECEIVER					
DC Characteristics					
Differential Input Threshold	-0.2		+0.2	Volts	$-7V \leq V_{CM} \leq 12V$
Input Hysteresis		70		mV	$V_{CM} = 0V$
Output Voltage High	3.5			Volts	$I_O = -4mA, V_{ID} = +200mV$
Output Voltage Low			0.4	Volts	$I_O = +4mA, V_{ID} = -200mV$
Three State (high impedance)					
Output Current			± 1	μA	$0.4V \leq V_O \leq 2.4V; \overline{REB} = 5V$
Input Resistance		15		k Ω	$-7V \leq V_{CM} \leq 12V$
Input Current (A, B); $V_{IN} = 12V$			± 1.0	mA	$DE = 0V, V_{CC} = 0V$ or $5.25V, V_{IN} = 12V$
Input Current (A, B); $V_{IN} = -7V$			-0.8	mA	$DE = 0V, V_{CC} = 0V$ or $5.25V, V_{IN} = -7V$
Short-Circuit Current	7		85	mA	$0V \leq V_O \leq V_{CC}$
SP491 RECEIVER					
AC Characteristics					
Maximum Data Rate	5			Mbps	$\overline{REB} = 0V$
Receiver Input to Output	60	90	150	ns	$t_{PLH}; R_{DIFF} = 54\Omega,$ $C_{L1} = C_{L2} = 100pF$; Figures 3 & 8
Receiver Input to Output	60	90	150	ns	$t_{PHL}; R_{DIFF} = 54\Omega,$ $C_{L1} = C_{L2} = 100pF$; Figures 3 & 8
Diff. Receiver Skew $ t_{PLH} - t_{PHL} $		13		ns	$R_{DIFF} = 54\Omega; C_{L1} = C_{L2} = 100pF$; Figures 3 & 8
Receiver Enable to Output Low		20	50	ns	$C_{RL} = 15pF$; Figures 2 and 9; S_1 closed
Receiver Enable to Output High		20	50	ns	$C_{RL} = 15pF$; Figures 2 and 9; S_2 closed
Receiver Disable from Low		20	50	ns	$C_{RL} = 15pF$; Figures 2 and 9; S_1 closed
Receiver Disable from High		20	50	ns	$C_{RL} = 15pF$; Figures 2 and 9; S_2 closed
POWER REQUIREMENTS					
Supply Voltage	+4.75		+5.25	Volts	
Supply Current		600		μA	$\overline{REB}, D = 0V$ or $V_{CC}; DE = V_{CC}$
SP491 ENVIRONMENTAL AND MECHANICAL					
Operating Temperature					
Commercial (C __)	0		+70	$^{\circ}C$	
Industrial (E __)	-40		+85	$^{\circ}C$	
Storage Temperature	-65		+150	$^{\circ}C$	
Package					
Plastic DIP (_S)					
NSOIC (_N)					

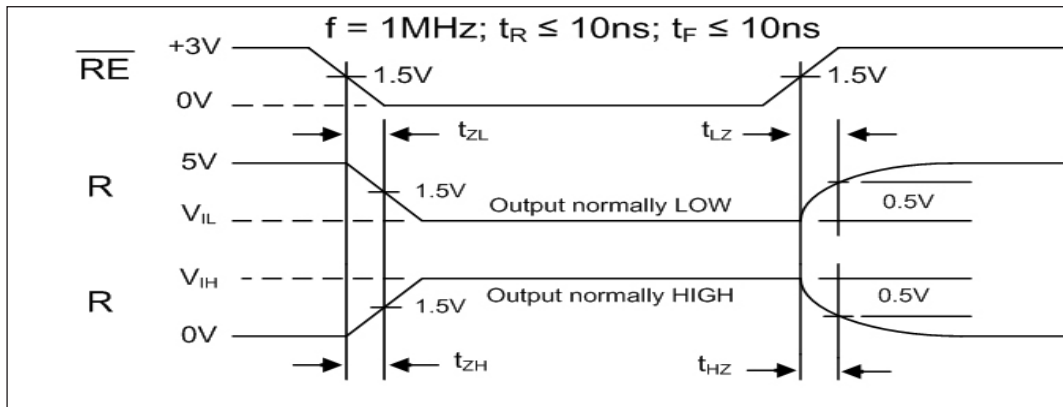


Figure 9. Receiver Enable and Disable Times

DESCRIPTION

The **SP490** and **SP491** are full-duplex differential transceivers that meet the requirements of RS-485 and RS-422. Fabricated with a **Sipex** proprietary BiCMOS process, both products require a fraction of the power of older bipolar designs.

The RS-485 standard is ideal for multi-drop applications or for long-distance interfaces. RS-485 allows up to 32 drivers and 32 receivers to be connected to a data bus, making it an ideal choice for multi-drop applications. Since the cabling can be as long as 4,000 feet, RS-485 transceivers are equipped with a wide (-7V to +12V) common mode range to accommodate ground potential differences. Because RS-485 is a differential interface, data is virtually immune to noise in the transmission line.

Driver...

The drivers for both the **SP490** and **SP491** have differential outputs. The typical voltage output swing with no load will be 0 volts to +5 volts. With worst case loading of 54 Ω across the differential outputs, the driver can maintain greater than 1.5V voltage levels.

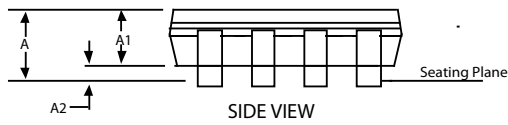
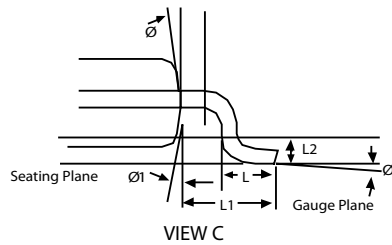
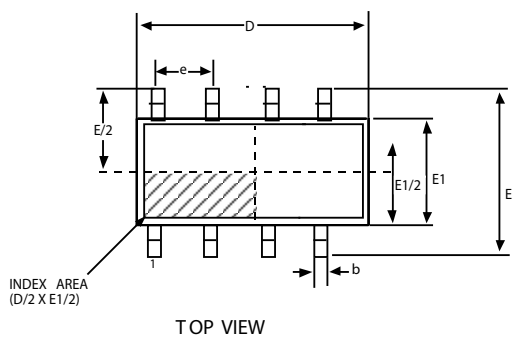
The driver of the **SP491** has a driver enable control line which is active high. A logic high on DE (pin 4) of the **SP491** will enable the differential driver outputs. A logic low on DE (pin 4) of the **SP491** will tri-state the driver outputs. The **SP490** does not have a driver enable.

Receiver...

The receivers for both the **SP490** and **SP491** have differential inputs with an input sensitivity as low as ± 200 mV. Input impedance of the receivers is typically 15k Ω (12k Ω minimum). A wide common mode range of -7V to +12V allows for large ground potential differences between systems. The receivers for both the **SP490** and **SP491** are equipped with the fail-safe feature. Fail-safe guarantees that the receiver output will be in a high state when the input is left unconnected.

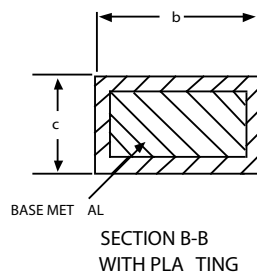
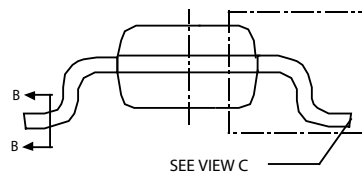
The receiver of the **SP491** has a receiver enable control line which is active low. A logic low on $\overline{\text{REB}}$ (pin 3) of the **SP491** will enable the differential receiver. A logic high on $\overline{\text{REB}}$ (pin 3) of the **SP491** will tri-state the receiver.

PACKAGE: 8 PIN NSOIC

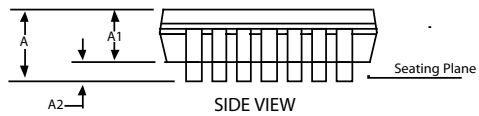
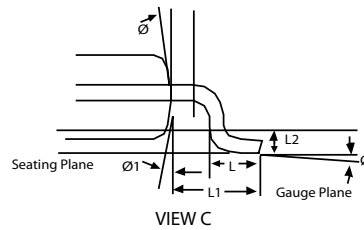
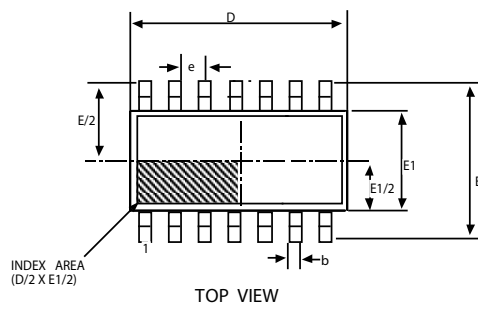


8 Pin NSOIC JEDEC MO-012 (AA) Variation			
SYMBOL	MIN	NOM	MAX
A	1.35	-	1.75
A1	0.1	-	0.25
A2	1.25	-	1.65
b	0.31	-	0.51
c	0.17	-	0.24
D	4.90 BSC		
E	6.00 BSC		
E1	3.90 BSC		
e	1.27 BSC		
L	0.4	-	1.27
L1	1.04 REF		
L2	0.25 BSC		
Ø	0°	-	8°
Ø1	5°	-	15°

Note: Dimensions in (mm)

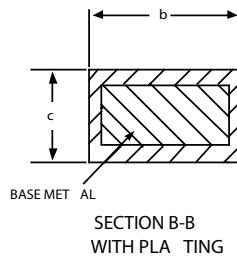
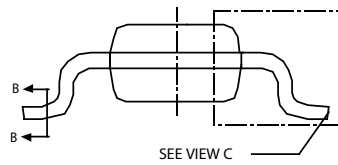


PACKAGE: 14 PIN NSOIC

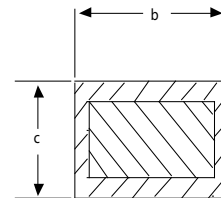
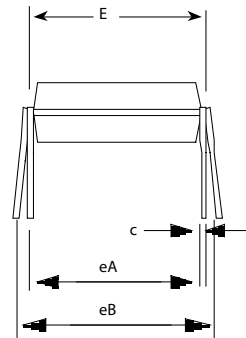
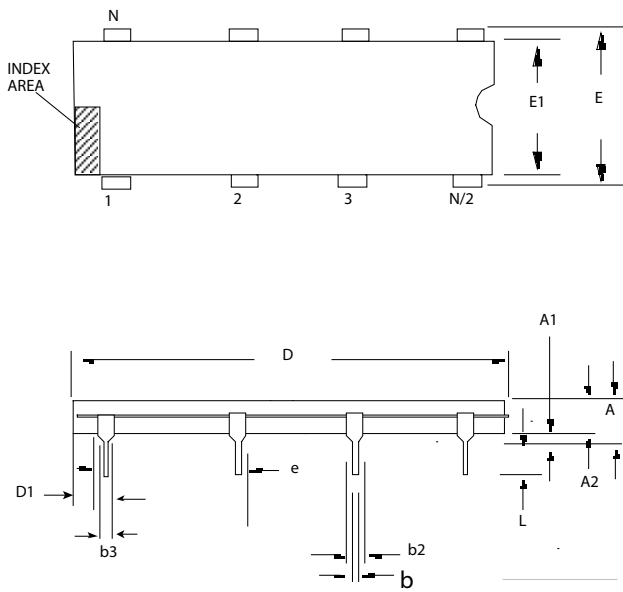


14 Pin NSOIC JEDEC MO-012 (AB) Variation			
SYMBOL	MIN	NOM	MAX
A	1.35	-	1.75
A1	0.1	-	0.25
A2	1.25	-	1.65
b	0.31	-	0.51
c	0.17	-	0.25
D	8.65 BSC		
E	6.00 BSC		
E1	3.90 BSC		
e	1.27 BSC		
L	0.4	-	1.27
L1	1.04 REF		
L2	0.25 BSC		
Ø	0°	-	8°
Ø1	5°	-	15°

Note: Dimensions in (mm)



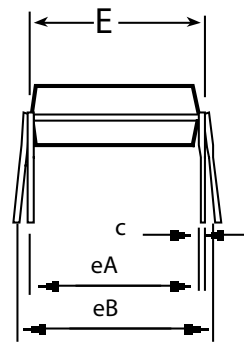
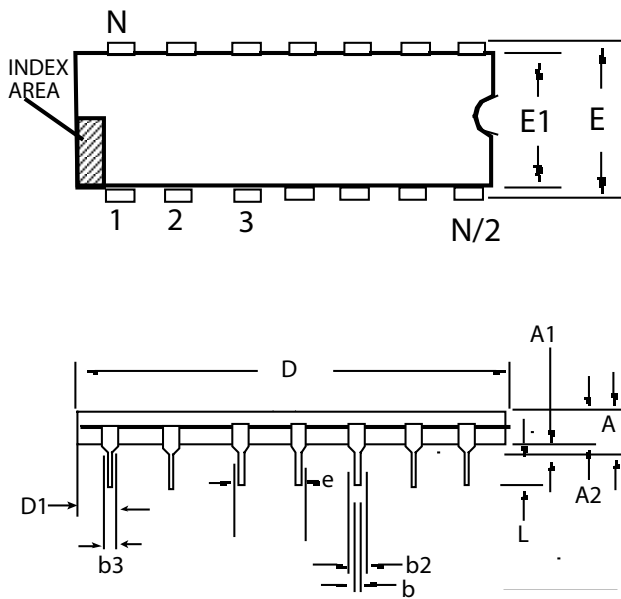
PACKAGE: 8 PIN PDIP



8 PIN PDIP JEDEC MS-001 (BA) Variation			
SYMBOL	MIN	NOM	MAX
A	-	-	0.21
A1	0.15	-	-
A2	0.115	0.13	0.195
b	0.014	0.018	0.022
b2	0.045	0.06	0.07
b3	0.3	0.039	0.045
c	0.008	0.01	0.014
D	0.355	0.365	0.4
D1	0.005	-	-
E	0.3	0.31	0.325
E1	0.24	0.25	0.28
e	.100 BSC		
eA	.300 BSC		
eB	-	-	0.43
L	0.115	0.13	0.15

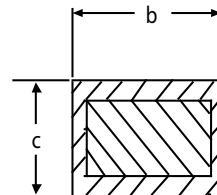
Note: Dimensions in (mm)

PACKAGE: 14 PIN PDIP



14 PIN PDIP JEDEC MS-001 (AA) Variation			
SYMBOL	MIN	NOM	MAX
A	-	-	0.21
A1	0.15	-	-
A2	0.115	0.13	0.195
b	0.014	0.018	0.022
b2	0.045	0.06	0.07
b3	0.3	0.039	0.045
c	0.008	0.01	0.014
D	0.735	0.75	0.755
D1	0.005	-	-
E	0.3	0.31	0.325
E1	0.24	0.25	0.28
e	.100 BSC		
eA	.300 BSC		
eB	-	-	0.43
L	0.115	0.13	0.15

Note: Dimensions in (mm)



ORDERING INFORMATION

Model	Temperature Range	Package
SP490CN	0°C to +70°C	8-Pin NSOIC
SP490CN/TR	0°C to +70°C	8-Pin NSOIC
SP490CS	0°C to +70°C	8-Pin PDIP
SP490EN	-40°C to +85°C	8-Pin NSOIC
SP490EN/TR	-40°C to +85°C	8-Pin NSOIC
SP490ES	-40°C to +85°C	8-Pin PDIP
SP491CN	0°C to +70°C	14-Pin NSOIC
SP491CN/TR	0°C to +70°C	14-Pin NSOIC
SP491CS	0°C to +70°C	14-Pin PDIP
SP491EN	-40°C to +85°C	14-Pin NSOIC
SP491EN/TR	-40°C to +85°C	14-Pin NSOIC
SP491ES	-40°C to +85°C	14-Pin PDIP

Available in lead free packaging. To order add "-L" suffix to part number.

Example: SP491CN/TR = standard; SP491CN-L/TR = lead free

/TR = Tape and Reel

Pack quantity is 2500 for NSOIC.

REVISION HISTORY

Date	Revision	Description
02/24/05	-	Sipex Legacy Data Sheet
07/14/08	1.0.0	Convert to Exar format.

Notice

EXAR Corporation reserves the right to make changes to any products contained in this publication in order to improve design, performance or reliability. EXAR Corporation assumes no representation that the circuits are free of patent infringement. Charts and schedules contained herein are only for illustration purposes and may vary depending upon a user's specific application. While the information in this publication has been carefully checked; no responsibility, however, is assumed for inaccuracies.

EXAR Corporation does not recommend the use of any of its products in life support applications where the failure or malfunction of the product can reasonably be expected to cause failure of the life support system or to significantly affect its safety or effectiveness. Products are not authorized for use in such applications unless EXAR Corporation receives, in writing, assurances to its satisfaction that: (a) the risk of injury or damage has been minimized; (b) the user assumes all such risks; (c) potential liability of EXAR Corporation is adequately protected under the circumstances.

Copyright 2008 EXAR Corporation

Datasheet June 2008

Send your Interface technical inquiry with technical details to: uarttechsupport@exar.com

Reproduction, in part or whole, without the prior written consent of EXAR Corporation is prohibited.