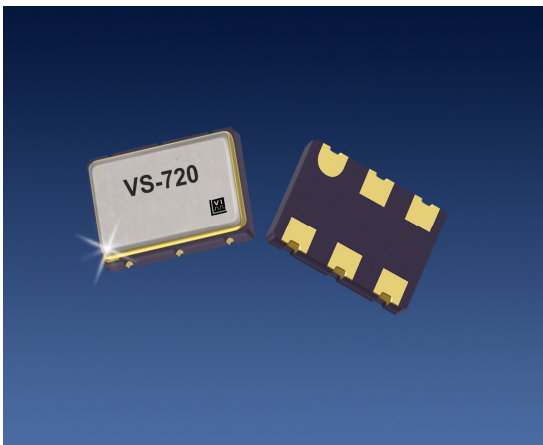





VS-720 Voltage Controlled SAW Oscillator



Features

- Industry Standard Package, 5.0 x 7.5 x 2.0 mm
- ASIC Technology For Ultra Low Jitter
 - 0.100 ps-rms typical across 12 kHz to 20 MHz BW
 - 0.120 ps-rms typical across 50 kHz to 80 MHz BW
- Output Frequencies from 150 MHz to 800 MHz
- Absolute Pull Range (APR) up to ± 100 ppm
- 3.3 V Operation
- LV-PECL or LVDS Configuration with Fast Transition Times
- Complementary Outputs
- Output Disable Feature
- Improved Temperature Stability over Standard VCSCO

 Product is free of lead and compliant to EC RoHS Directive

Applications

PLL circuits for Clock Smoothing and Frequency Translation

<u>Description</u>	<u>Standard</u>
• 1-2-4 Gigabit Fibre Channel	INCITS 352-2002
• 10 Gigabit Fibre Channel	INCITS 364-2003
• 10GbE LAN / WAN	IEEE 802.3ae
• OC-192	ITU-T G.709
• SONET / SDH	GR-253-CORE Issue3

Description

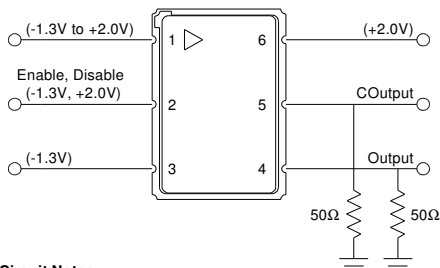
The VS-720 is a Voltage Controlled SAW Oscillator that achieves low phase noise and very low jitter performance. The VS-720 is housed in an industry standard 6-Pad leadless ceramic package that is hermetically sealed. Packaging options include bulk or tape and reel

VS-720 Voltage Controlled SAW Oscillator

Electrical Performance

Parameter	Symbol	Minimum	Typical	Maximum	Units	Notes
Frequency						
Nominal Frequency	f_N	150		800	MHz	1,2,3
Absolute Pull Range	APR	± 50			ppm	1,2,8
Linearity	Lin			± 10	%	2,4,8
Gain Transfer (See Pg 5)	K_V		+100		ppm/V	2,8
Temperature Stability	f_{STAB}		± 20		ppm	1
Supply						
Voltage	V_{CC}	2.97	3.3	3.63	V	2,3
Current (No Load)	I_{CC}		70	90	mA	3
Outputs						
Mid Level - LVPECL		$V_{CC}-1.4$	$V_{CC}-1.25$	$V_{CC}-1.0$	V	2,3
Swing – LVPECL		450	600	750	mV-pp	2,3
Mid Level - LVDS		$V_{CC}-2.4$	$V_{CC}-2.3$	$V_{CC}-2.5$	V	2,3
Swing – LVDS		250	350	450	mV-pp	2,3
Current	I_{OUT}			20	mA	6
Rise Time	t_R		250	500	ps	5,6
Fall Time	t_F		250	500	ps	5,6
Symmetry	SYM	45	50	55	%	2,3
Jitter (12 kHz – 20 MHz BW) 622.08 MHz	ϕ_J		0.100	0.250	ps-rms	6,7
Jitter (50 kHz – 80 MHz BW) 622.08 MHz	ϕ_J		0.120	0.300	ps-rms	6,7
Period Jitter, RMS (622.08 MHz)	ϕ_J		3.0	4.0	ps-rms	9
Period Jitter, Peak - Peak (622.08 MHz)	ϕ_J		20	30	ps pk-pk	9
Harmonic Suppression		50	60		dBc	6
Control Voltage						
Control Voltage Range for APR	V_C	0.3		3.0	V	2,8
Control Voltage Input Impedance	Z_{IN}	75			K Ω	6
Control Voltage Modulation BW	BW	50			KHz	6
Operating Temp. (Ordering Option)	T_{OP}	0/70,-20/70 or -40/85			$^{\circ}C$	1,3
Package Size		5.0 x 7.5 x 2.0			mm	

1. See Standard Frequencies and Ordering Information tables (Pg 7) for more specific information
2. Parameters are tested with production test circuit below (Fig 1).
3. Parameters are tested at ambient temperature with test limits guard-banded for specified operating temperature.
4. Measured as the maximum deviation from the best straight-line fit, per MIL-0-55310.
5. Measured from 20% to 80% of a full output swing (Fig 2).
6. Not tested in production, guaranteed by design, verified at qualification.
7. Integrated across stated bandwidth per GR-253-CORE Issue3.
8. Tested with $V_C = 0.3V$ to $3.0V$ unless otherwise stated in part description
9. Broadband Period Jitter measured using Lecroy Wavemaster 8600A 6 GHz Oscilloscope, 250K samples taken



Test Circuit Notes:
 1) To Permit 50 Ω Measurement of Outputs, all DC Inputs are Biased Down 1.3V.
 2) All Voltage Sources Contain Bypass Capacitors to Minimize Supply Noise.
 3) 50 Ω Terminations are Within Test Equipment.

Figure 1. Test Circuit

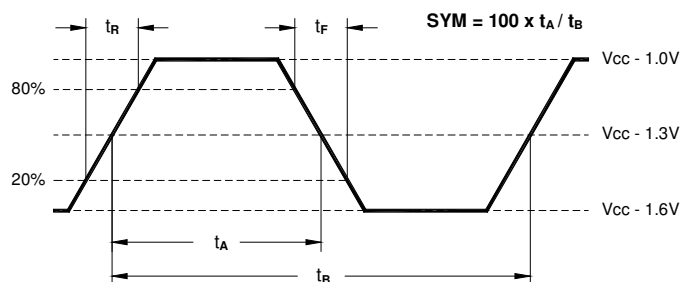
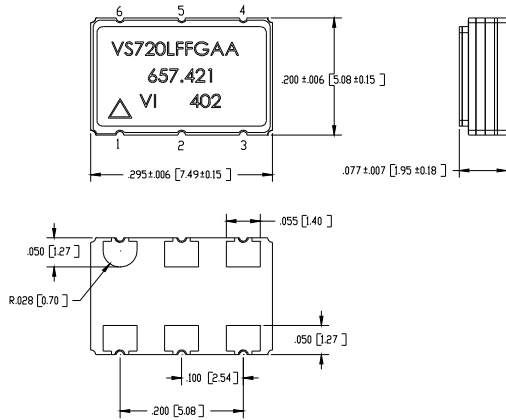


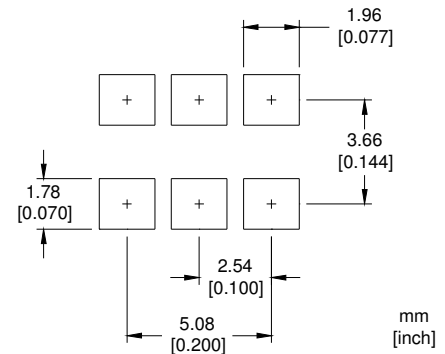
Figure 2. 10K LV-PECL Waveform

VS-720 Voltage Controlled SAW Oscillator

Outline Diagram



Suggested Pad Layout

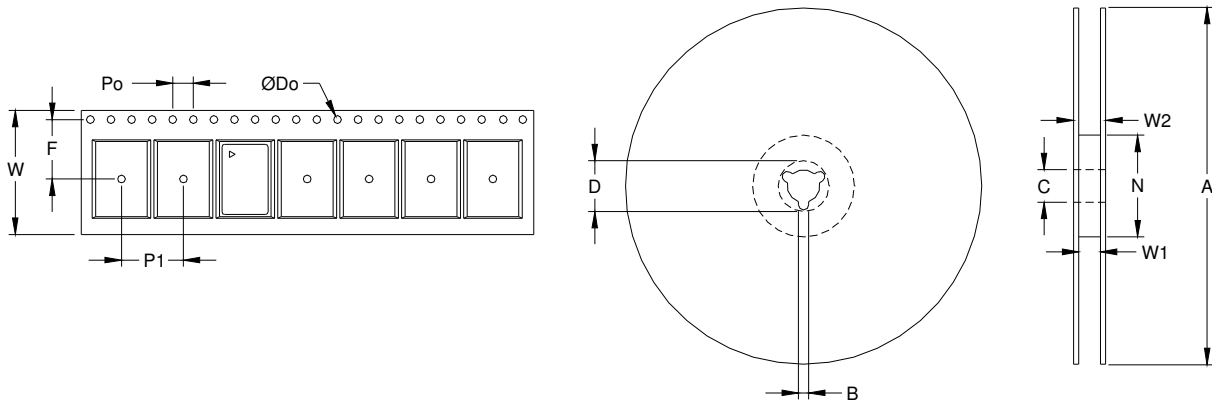


Standard Pin Out

Pin	Symbol	Function
1	V _C	VCXO
2	OE ¹	Enable = LV-CMOS logic 0 or Ground, Disable = LV-CMOS logic 1
3	GND	Case and Electrical Ground
4	Output	Output
5	COutput	Complementary Output
6	V _{CC}	Power Supply Voltage (3.3V ±10%)

Note 1: For proper operation disable pin can not be left floating. [See page 7 for alternative input logic option](#)

Tape and Reel (EIA-481-2-A)



Tape Dimensions (mm)						Reel Dimensions (mm)							
Dimension	W	F	Do	Po	P1	A	B	C	D	N	W1	W2	# Per Reel
Tolerance	Typ	Typ	Typ	Typ	Typ	Typ	Min	Typ	Min	Min	Typ	Max	
VS-720	16	7.5	1.5	4	8	178	1.5	13	20.2	50	16.4	22.4	200

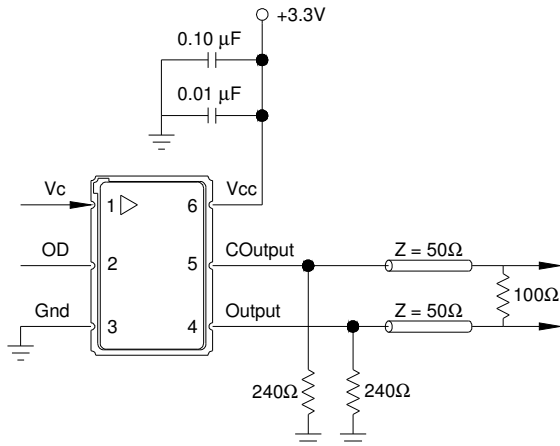
VS-720 Voltage Controlled SAW Oscillator

Absolute Maximum Ratings

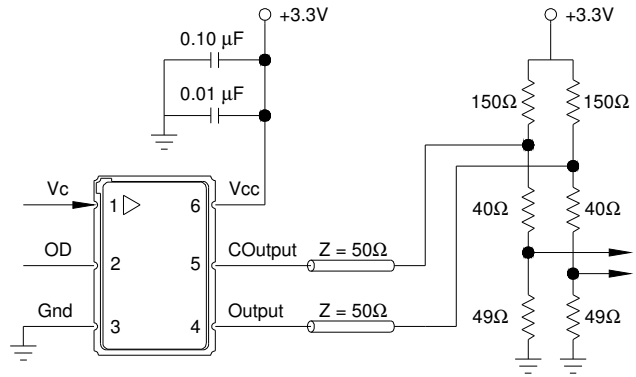
Parameter	Symbol	Ratings	Unit
Power Supply	V_{CC}	0 to 4	V
Output Current	I_{out}	25	mA
Voltage Control Range	V_C	0 to V_{CC}	V
Storage Temperature	TS	-55 to 125	°C
Soldering Temp/Time	T_{LS}	260/40	°C/sec

Stresses in excess of the absolute maximum ratings can permanently damage the device. Functional operation is not implied at these or any other conditions in excess of conditions represented in the operational sections of this datasheet. Exposure to absolute maximum ratings for extended periods may adversely affect device reliability. Permanent damage is also possible if OD or V_C is applied before V_{CC} .

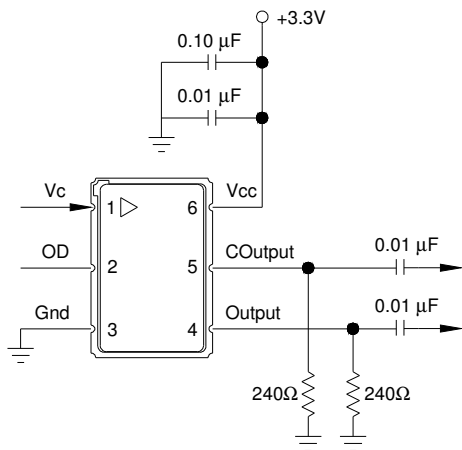
Suggested Output Load Configurations



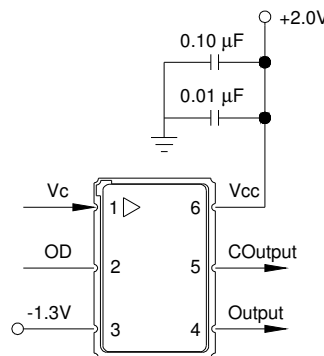
LV-PECL to LV-PECL: For short transmission lengths, the power consumption could be reduced by removing the 100Ω resistor and doubling the value of the pull down resistors.



LV-PECL to LVDS: Restricted for short transmission lengths. Configuration may require modification depending on LVDS receiver.



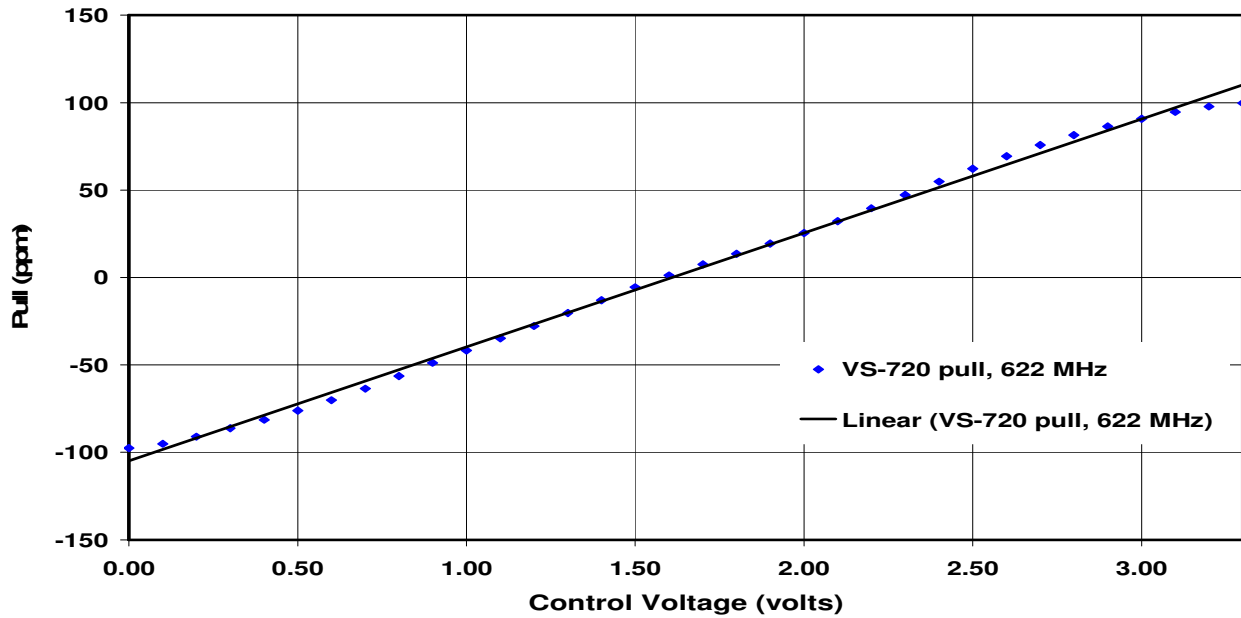
Functional Test: Allows standard power supply configuration. Since AC coupled, the LV-PECL levels cannot be measured.



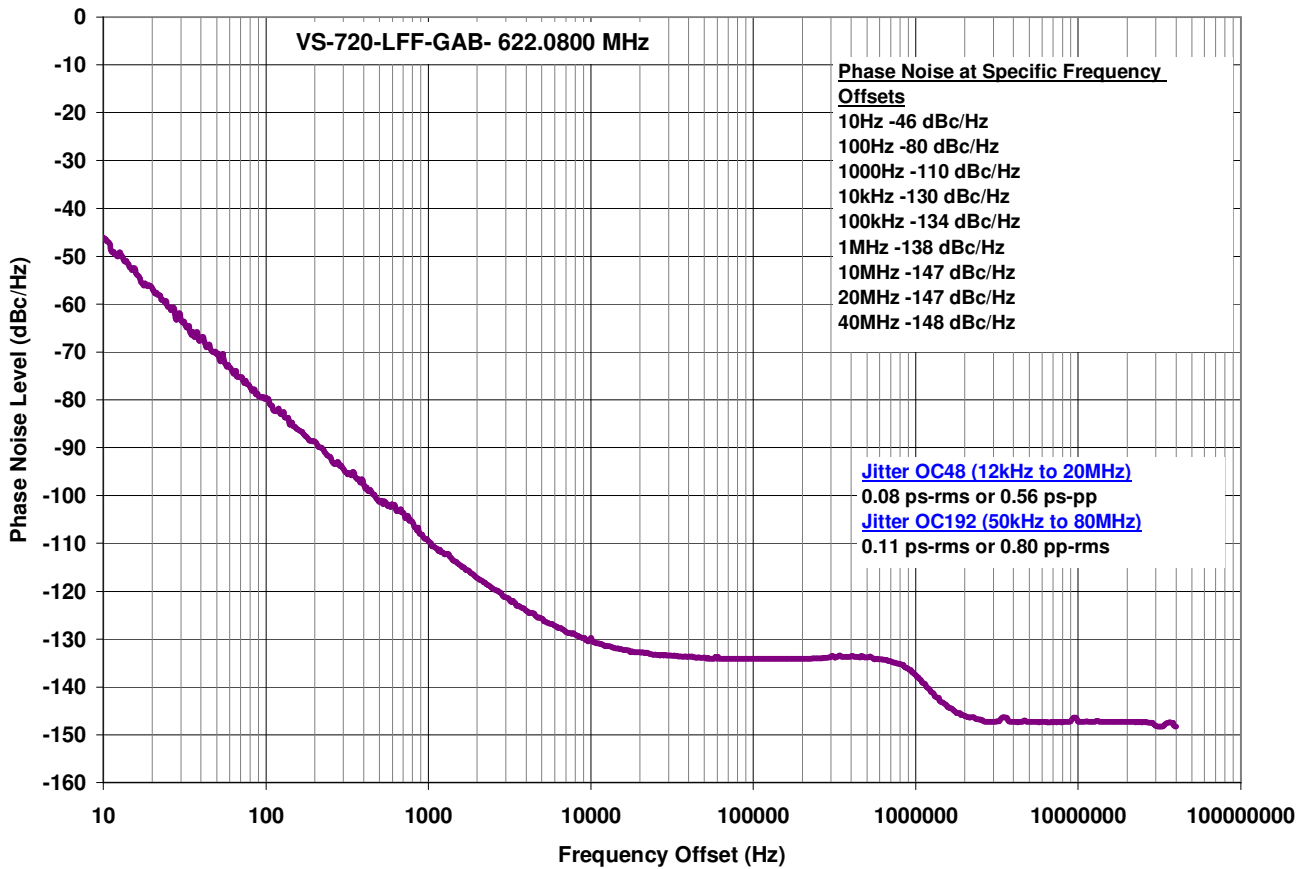
Production Test: Allows direct DC coupling into 50Ω measurement equipment. Must bias the power supply as shown. Similar to Figure 1.

VS-720 Voltage Controlled SAW Oscillator

Typical Gain Transfer



Typical Phase Noise



VS-720 Voltage Controlled SAW Oscillator

Reliability

VI qualification includes aging at various extreme temperatures, shock and vibration, temperature cycling, and IR reflow simulation. The VS-720 family is capable of meeting the following qualification tests:

Environmental Compliance

Parameter	Conditions
Mechanical Shock	MIL-STD-883, Method 2002
Mechanical Vibration	MIL-STD-883, Method 2007
Solderability	MIL-STD-883, Method 2003
Gross and Fine Leak	MIL-STD-883, Method 1014
Resistance to Solvents	MIL-STD-883, Method 2016

Handling Precautions

Although ESD protection circuitry has been designed into the VS-720 proper precautions should be taken when handling and mounting. VI employs a human body model (HBM) and a Man Man method (MM) for ESD susceptibility testing and design protection evaluation.

ESD Ratings

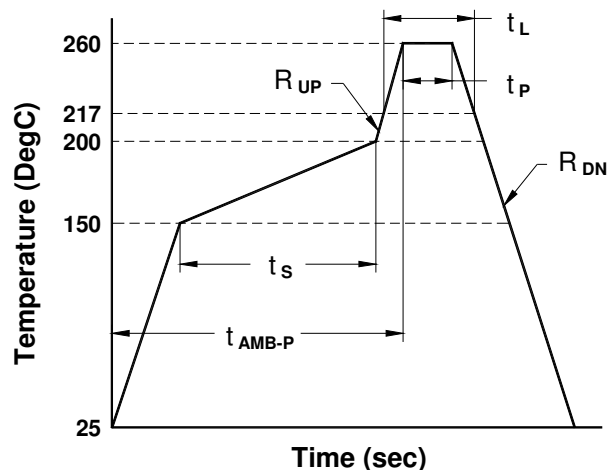
Model	Minimum	Conditions
Human Body Model	1500 V	MIL-STD 883, Method 3015
Man Man Model	200 V	V/JESD22-A115-A

Reflow Profile (IPC/JEDEC J-STD-020C)

Parameter	Symbol	Value
PreHeat Time	t_s	60 sec Min, 180 sec Max
Ramp Up	R_{UP}	3 °C/sec Max
Time Above 217 °C	t_L	60 sec Min, 150 sec Max
Time To Peak Temperature	t_{AMB-P}	480 sec Max
Time At 260 °C	t_P	20 sec Min, 40 sec Max
Ramp Down	R_{DN}	6 °C/sec Max

The device is qualified to meet the JEDEC standard for Pb-Free assembly. The temperatures and time intervals listed are based on the Pb-Free small body requirements. The VS-720 device is hermetically sealed so an aqueous wash is not an issue.

Termination Plating: Electroless Gold Plate over Nickel Plate



VS-720 Voltage Controlled SAW Oscillator

Standard Output Frequencies (MHz)

*155.5200	*156.2500	*160.0000	*175.0000	*187.5000	*194.8000	*200.0000	212.5000
240.0000	245.7600	250.0000	311.0400	312.5000	320.0000	324.0000	350.0000
375.0000	389.6000	400.0000	425.0000	480.0000	491.5200	500.0000	531.2500
537.6000	600.0000	622.0800	625.0000	644.5313	657.4219	666.5143	669.3266
672.1627	690.5692	693.4830	704.3806	707.3527	720.0000	768.0000	796.8750

Frequencies not shown are available upon request. *VC-710 is preferred VCXO for frequencies \leq 200 MHz

Revision Control

A	6/28/06	Vectron Prod Mgt.	Release of VS-720 Datasheet
B	4/03/07	Vectron Prod Mgt.	Updates to APR, Freq, & Harmonic Spec
C	7/07/15	Vectron Prod Mgt.	Updated current spec.

Ordering Information

VS - 720 - L F F - G A A - xxx.xxx

Product Family

VS = VCSO

Package

720 = 5.0 x 7.5 x 2.0 mm
6 Pad Ceramic SMD

Input

L = 3.3 Vdc \pm 10%

Output

F = LVPECL (45/55% Symmetry)
P = LVDS (45/55% Symmetry)

Operating Temperature

C = 0°C to 70°C
D = -20°C to 70°C
F = -40°C to 85°C

Frequency

150 - 800 MHz

Performance Options

A = Default Option
B = Lowest Phase Noise
C = \pm 5% maximum Linearity
D = \pm 20 ppm maximum
Temperature Stability

Enable/Disable Input Logic (LV-CMOS)

A = Pin 2: Enable Low (or Gnd)/Disable High
B = Pin 2: Enable High (or Vcc)/Disable Low

Absolute Pull Range Options

C = \pm 20 ppm minimum
F = \pm 32 ppm minimum
G = \pm 50 ppm minimum (default value)
N = \pm 80 ppm minimum
H = \pm 100 ppm minimum

Not all combinations are possible

For Additional Information, Please Contact:



USA: Vectron International, 267 Lowell Rd, Hudson, NH 03051 Tel: 1-88-VECTRON-1

Fax: 1-888-FAX-VECTRON

EUROPE: Tel: +49 (0) 3328-4784-17

Fax: +49 (0) 3328-4784-30

ASIA: Tel: +86-21-6194-6886

Fax: +86-21-6194-6699

Vectron International reserves the right to make changes to the product(s) and or information contained herein without notice.
No liability is assumed as a result of their use or application. No rights under any patent accompany the sale of any such product(s) or information.