

PLEASE CHECK WWW.MOLEX.COM FOR LATEST PART INFORMATION

Part Number: [51-24-1041](#)
Status: **Active**
Overview: [LFH™](#)
Description: 1.27mm Pitch LFH™ Matrix 50 Receptacle, Shielded, 160 Circuits, Right Angle, PC Tail Length 2.01mm

Documents:

[3D Model](#) [Product Specification PS-71626 \(PDF\)](#)
[Drawing \(PDF\)](#) [RoHS Certificate of Compliance \(PDF\)](#)

Agency Certification

CSA LR19980
 UL E29179

General

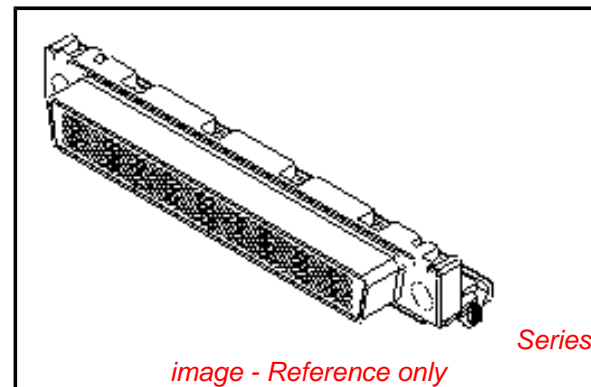
Product Family I/O Connectors
 Series [71626](#)
 Application Board-to-Board, Wire-to-Board
 Component Type Receptacle
 Overview [LFH™](#)
 Product Name LFH™
 Type N/A
 UPC 800755008272

Physical

Circuits (Loaded) 160
 Circuits (maximum) 160
 Color - Resin Black
 Flammability 94V-0
 Keying to Mating Part None
 Lock to Mating Part Yes
 Material - Metal Beryllium Copper
 Material - Plating Mating Gold
 Material - Plating Termination Tin
 Material - Resin High Temperature Thermoplastic
 Net Weight 13.055/g
 Orientation Right Angle
 PC Tail Length 2.01mm
 PCB Retention Yes
 PCB Thickness - Recommended 2.40mm
 Packaging Type Tube
 Panel Mount Yes
 Pitch - Mating Interface 1.27mm
 Plating min - Mating 0.762µm
 Plating min - Termination 2.540µm
 Polarized to Mating Part Yes
 Surface Mount Compatible (SMC) Yes
 Temperature Range - Operating -20°C to +80°C
 Termination Interface: Style Through Hole
 Wire Size AWG N/A

Electrical

Current - Maximum per Contact 1A
 Grounding to Panel Yes
 Shielded Yes
 Voltage - Maximum 40V



EU RoHS

RoHS Compliant by Exemption
REACH SVHC
 Not Reviewed
Low-Halogen Status
Low-Halogen

China RoHS



Need more information on product environmental compliance?

Email productcompliance@molex.com
 For a multiple part number RoHS Certificate of Compliance, [click here](#)

Please visit the [Contact Us](#) section for any non-product compliance questions.

Search Parts in this Series

[71626Series](#)

Mates With

[71624 LFH™ Plug](#)

Use With

[71629 Guide Sleeve](#)

Material Info

Old Part Number

71626-2001

Reference - Drawing Numbers

Product Specification

PS-71626

Sales Drawing

SDA-71626-200*

This document was generated on 11/27/2012

PLEASE CHECK WWW.MOLEX.COM FOR LATEST PART INFORMATION