

**PLEASE CHECK WWW.MOLEX.COM FOR LATEST PART INFORMATION**

**Part Number:** **0190190015**  
**Status:** **Active**  
**Overview:** Standard Quick-Disconnect Terminals  
**Description:** Avikrimp Quick Disconnect, Female, for 18-22 (0.80-0.35mm<sup>2</sup>) Wire, Box, Tab 5.21 x 0.81mm

**Documents:**

[Drawing \(PDF\)](#) [Product Specification PS-19902-014-001 \(PDF\)](#)  
[Product Specification PS-19902-011-001 \(PDF\)](#) [RoHS Certificate of Compliance \(PDF\)](#)  
[Product Specification PS-19902-013-001 \(PDF\)](#)

**General**

Product Family	Quick Disconnects
Series	<u>19019</u>
Crimp Quality Equipment	Yes
Insulated	Partial
Overview	<u>Standard Quick-Disconnect Terminals</u>
Product Name	Avikrimp
Type	Quick Disconnect
UPC	800753037984

**Physical**

Barrel Type	Closed
Color - Resin	Red
Gender	Female
Glow-Wire Capable	No
Insulation	Nylon (PA)
Lock to Mating Part	None
Material - Metal	Brass
Material - Plating Mating	Tin
Material - Plating Termination	Tin
Net Weight	0.731/g
Orientation	Straight
Packaging Type	Bag
Polarized to Mating Part	No
Tab Thickness	0.81mm
Tab Width	5.21mm
Temperature Range - Operating	-65° to +105°C
Wire Insulation Diameter	2.90mm max.
Wire Size AWG	18, 20, 22

**Electrical**

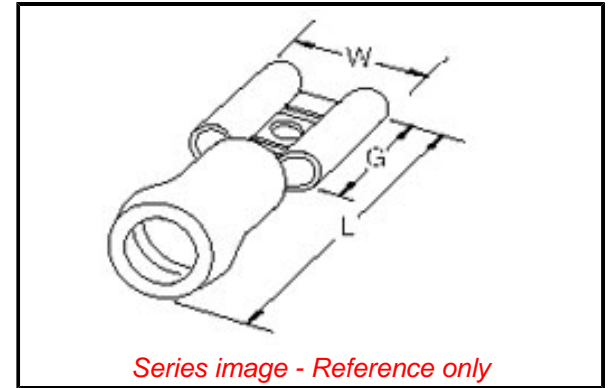
Voltage - Maximum	300V
-------------------	------

**Material Info**

Engineering Number	AA-8190-032
--------------------	-------------

**Reference - Drawing Numbers**

Product Specification	PS-19902-011-001, PS-19902-013-001, PS-19902-014-001
Sales Drawing	AACD80501, SD-19019-001



**EU ELV**

**Not Relevant**

**EU RoHS**

**Compliant**

**REACH SVHC**

Not Contained Per -  
ECHA\_01\_2020 (16  
January 2020

**Halogen-Free**

**Status**

**Low-Halogen**

For more information, please visit [Contact US](#)

China ROHS

Not Relevant

ELV

Not Relevant

RoHS Phthalates

Not Contained

**Search Parts in this Series**

19019 Series

**Application Tooling | FAQ**

*Tooling specifications and manuals are found by selecting the products below. Crimp Height Specifications are then contained in the Application Tooling Specification document.*

**Global**

Description	Product #
PremiumGrade Hand Crimp Tool	<u>640010200</u>
Crimp Head for the AT-200 Pneumatic Hand Tool	<u>640050200</u>