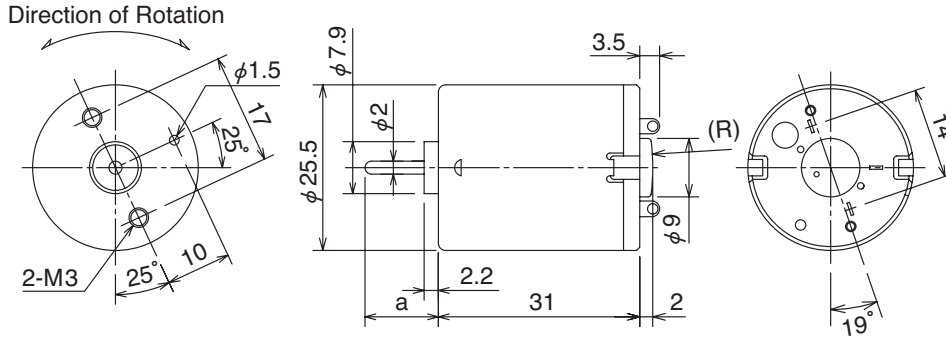




Weight:52.0g

## Outline UNIT:mm



## Specifications

Model	Operating Voltage (V)	Rated Voltage (V)	No Load Speed ( $\text{min}^{-1}$ )	No Load Current (mA)	Rated Load		Rated Load Speed ( $\text{min}^{-1}$ )	Rated Load Current (mA)	Starting Torque		Starting Current (mA)	Shaft Length (mm)
					( $\text{gf}\cdot\text{cm}$ )	( $\text{mN}\cdot\text{m}$ )			( $\text{gf}\cdot\text{cm}$ )	( $\text{mN}\cdot\text{m}$ )		
MXN12FB12F	5 to 16	12.0	2922	15	15.0	1.47	2261	56	66.3	6.50	198	a=11.3
MXN12FB24C	18 to 24.5	24.0	8098	33	55.0	5.39	5586	242	177.3	17.38	707	a=11.3

## Characteristics

