

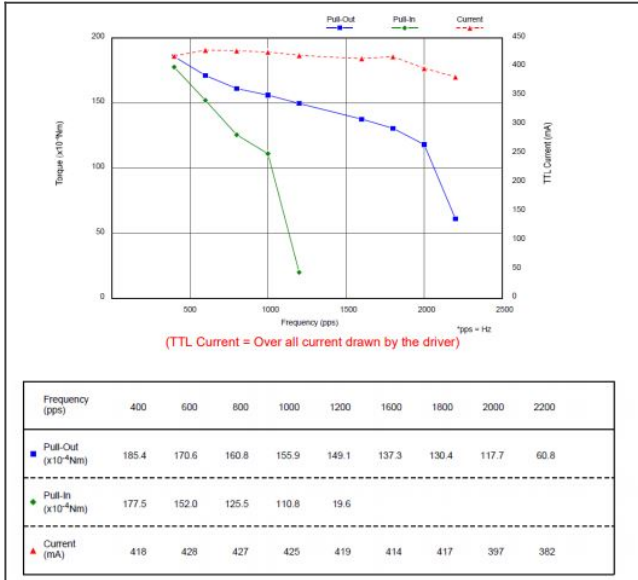
PM25L-024-HHC5 product picture



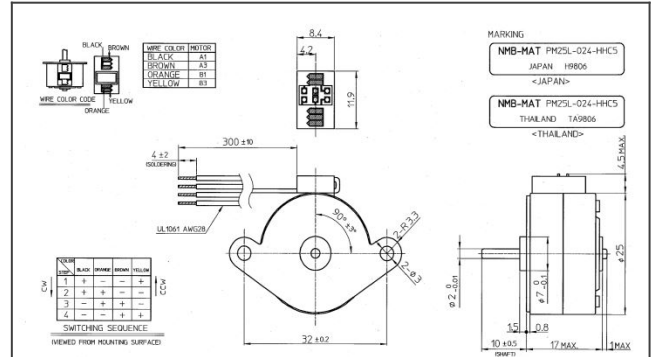
PM25L-024 product picture



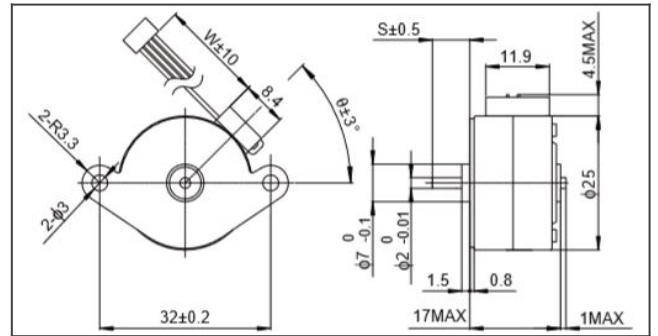
PM25L-024-HHC5 graph



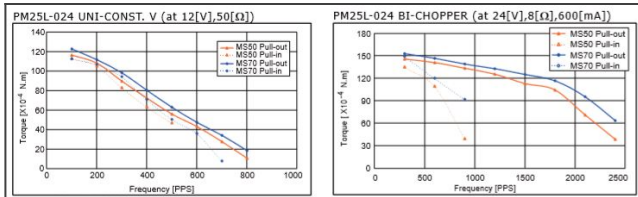
PM25L-024-HHC5 product drawing



PM25L-024 product drawing



PM25L-024 graph



PM

Detailed Specifications

PM Type:	Standard
Motor Size:	25
Drive Method:	2 - 2 phase
Drive Circuit:	Bipolar Chopper
Drive Voltage:	24
Current / Phase:	600
Coil Resistance / Phase:	8
Drive IC:	UDN2917EB
Magnet Material:	MS70A
Step Angle:	15

PM