

Distributed by:

JAMECO[®]
ELECTRONICS

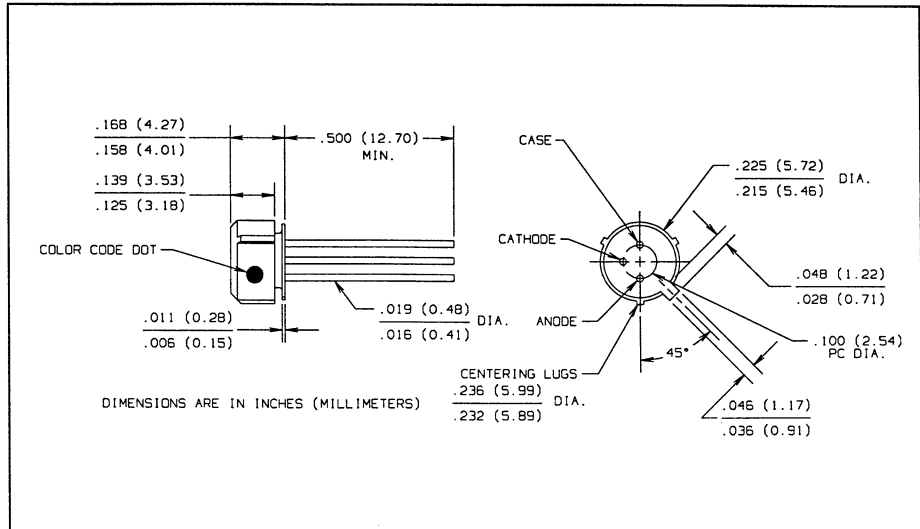
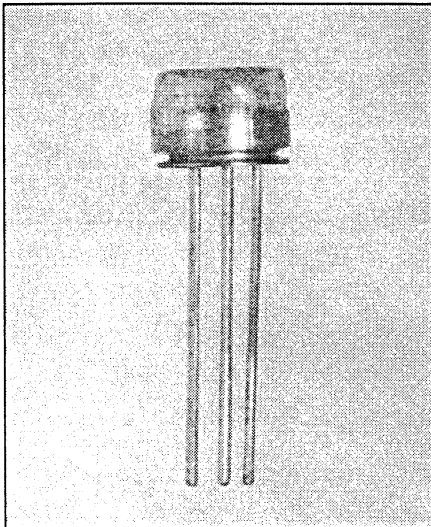
www.Jameco.com ♦ 1-800-831-4242

The content and copyrights of the attached
material are the property of its owner.

Jameco Part Number 1873778

Fiber Optic GaAlAs LED

Types OPF370A, OPF370B, OPF370C, OPF370D



Features

- Electrically isolated plastic cap package
- High radiant output for fiber optic applications
- High speed
- Designed to self align in the 0.228 inch diameter bore of standard fiber optic receptacles. Press fit simplifies component installation.

Description

The OPF370 series LED provides fiber optic users with high coupled power and wide bandwidth in a low cost package.

The LED's are designed to interface with multimode optical fibers from 50/125 to 200/300 microns.

Absolute Maximum Ratings ($T_A = 25^\circ\text{C}$ unless otherwise noted)

Reverse Voltage	1.0 V
Continuous Forward Current	100 mA ⁽⁴⁾
Storage Temperature Range	-55° C to +115° C
Operating Temperature Range	-40° C to +100° C
Lead Soldering Temperature [1/16 inch (1.6 mm) from case for 5 sec. with soldering iron]	240° C ⁽¹⁾

Notes:

- (1) RMA flux is recommended. Duration can be extended to 10 sec. max when flow soldering.
- (2) Graded index fiber, 50 μm core, N.A. = 0.20.
- (3) To convert radiant power output to dBm, use the following expression: $\text{dBm} = 10 \log (\mu\text{W}/1000)$.
- (4) Derate linearly @ 1.0 mA/° C above 25° C.
- (5) Prebias @ 5 mA current.

LED Burn-in

All LED's are subject to 100% burn-in testing. Test conditions are 96 hours at 100 mA continuous current in 25° C ambient.

TYPICAL COUPLED POWER into OPTICAL FIBER

Typical Coupled Power $I_F = 100 \text{ mA} @ 25^\circ\text{C}$						
Fiber	Refractive Index	N.A.	OPF370D	OPF370C	OPF370B	OPF370A
50/125 μm	Graded	0.20	7.5 μW	12.5 μW	19 μW	29 μW
62.5/125 μm	Graded	0.28	27 μW	35 μW	51 μW	89 μW
100/140 μm	Graded	0.29	60 μW	87 μW	129 μW	200 μW
200/300 μm^*	Step	0.41	320 μW	463 μW	606 μW	750 μW

*PCS - Plastic Clad Silica

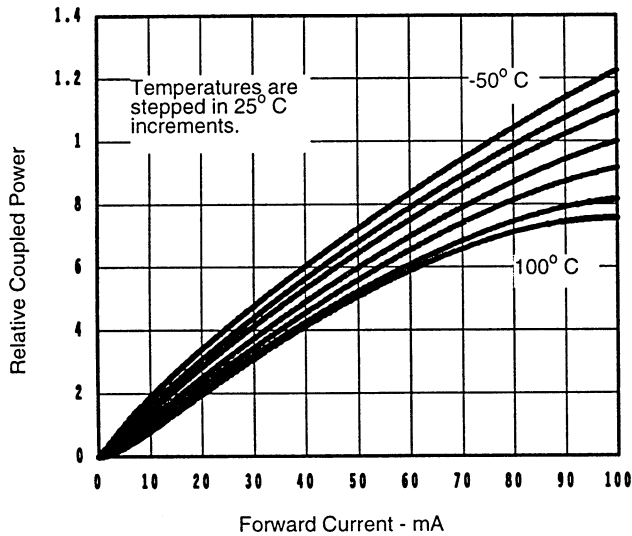
Types OPF370A, OPF370B, OPF370C, OPF370D

Electrical Characteristics ($T_A = 25^\circ\text{C}$ unless otherwise noted)

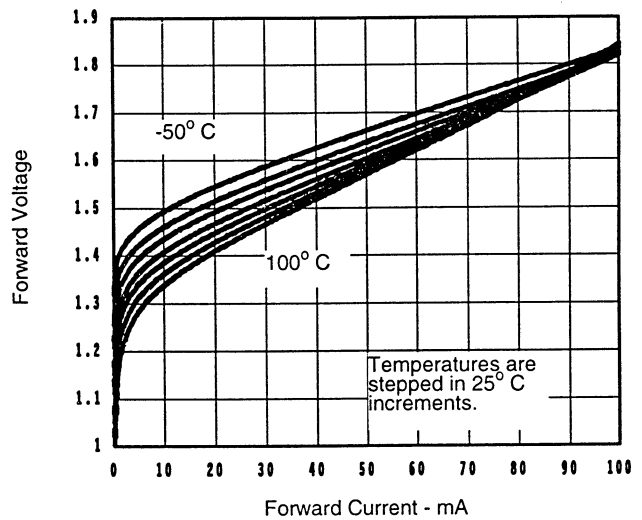
SYMBOL	PARAMETER	DOT	MIN	TYP	MAX	UNITS	TEST CONDITIONS
P_o	Radiant Power Output	OPF370D (No Dot)	5.0	7.5		μW	$I_F = 100\text{ mA}^{(2)}$
		OPF370C (Blue)	10.0	12.5			
		OPF370B (Yellow)	15.0	19.0			
		OPF370A (Red)	25.0	29.0			
V_F	Forward Voltage			1.8	2.0	V	$I_F = 100\text{ mA}$
λ_p	Peak Output Wavelength		830	850	870	nm	$I_F = 50\text{ mA}$
B	Spectral Band Width Between Half Power Points			35		nm	$I_F = 50\text{ mA}$
t_r	Output Rise Time			6.0	8.0	ns	$I_F = 100\text{ mA}, 10\%-90\%^{(5)}$
t_f	Output Fall Time			6.0	10.0	ns	$I_F = 100\text{ mA}, 90\%-10\%^{(5)}$

Typical Performance Curves

Relative Coupled Power vs. Forward Current



Forward Voltage vs. Forward Current



FIBER OPTIC COMPONENTS