

1-ch motor driver IC

■ Overview

AN41406A is a 1-ch motor driver IC. This IC features a low ON resistance and a wide operating supply voltage range of power supply for motor drive. Adopting an wafer level chip size package (WLCSP) makes it possible to shrink the mounting area.

■ Features

- 1-ch motor driver IC
- Forward reverse drive is possible
- It is possible to drive not only a motor but also an actuator
- Low ON resistance:
 - 0.19 Ω (upper and lower)
- Operating supply voltage range:
 - Supply voltage range for control 2.7 V to 5.5 V,
 - Supply voltage range for drive 4.0 V to 13.8 V
- Downsizing by adopting an wafer level chip size package
- Additional features:
 - Built-in stand-by function
 - Thermal shutdown circuit
 - Low voltage detection circuit

■ Applications

- DC brush motor, actuator, etc.

■ Package

- 17 pin wafer level chip size package (WLCSP)
 - Size: 2.41 x 1.91 mm
 - Pitch: 0.5 mm

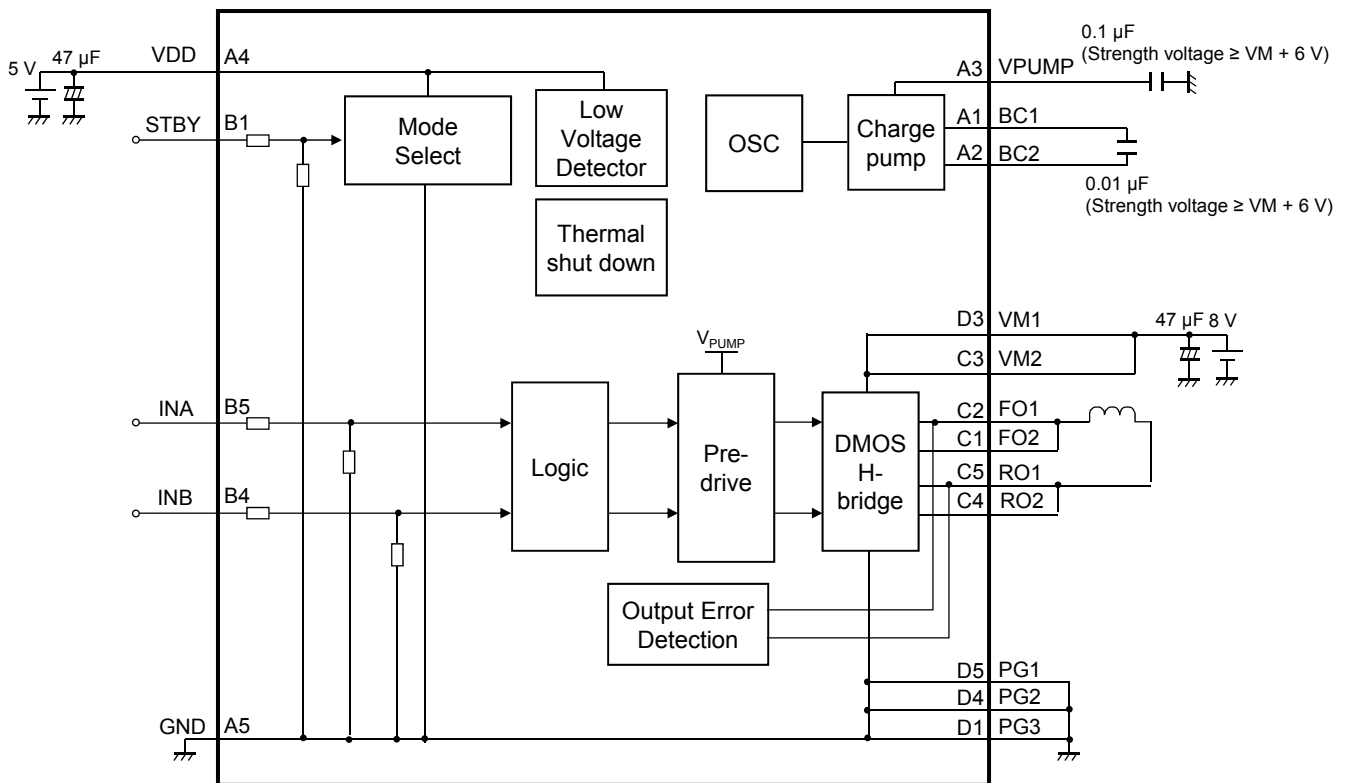
■ Type

- Bi-CDMOS IC

Contents

■ Overview	1
■ Features	1
■ Applications	1
■ Package	1
■ Type	1
■ Application Circuit Example (Block Diagram)	3
■ Pin Descriptions	4
■ Pin Configuration	4
■ Absolute Maximum Ratings	5
■ Operating Supply Voltage Range	5
■ Allowable Current and Voltage Range	6
■ Electrical Characteristics	7
■ Electrical Characteristics (Reference values for design)	8
■ Control Pin Mode Table	9
■ Test Circuit Diagram	10
■ Electrical Characteristics Test Procedures	13
■ Technical Data	16
• I/O block circuit diagrams and pin function descriptions	16
• Reference data	18
■ Package information	19
■ Usage Notes	20
• Special attention and precaution in using	20
• Notes of Power IC	21
• Notes of this IC	22

■ Application Circuit Example (Block Diagram)



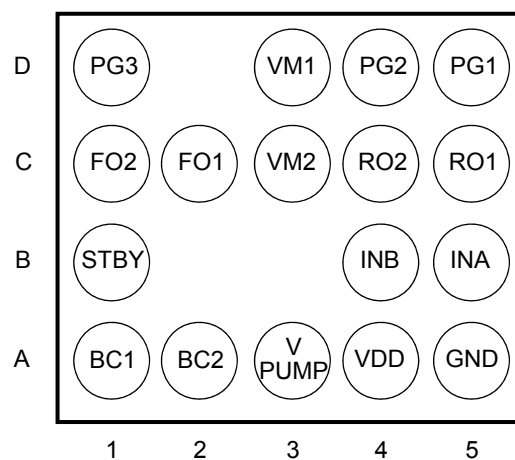
Notes:

- This block diagram is for explaining functions. Part of the block diagram may be omitted, or it may be simplified.
- This application circuit is shown as an example but does not guarantee the design for mass production set.

■ Pin Descriptions

Pin No.	Pin name	Type	Description
A1	BC1	Output	Charge pump capacitor connection 1
A2	BC2	Output	Charge pump capacitor connection 2
A3	VPUMP	Output	Charge pump output
A4	VDD	Power supply	Power supply for control circuit
A5	GND	Ground	Ground for control circuit
B1	STBY	Input	Total shutdown input
B4	INB	Input	Inverting input
B5	INA	Input	Non-inverting input
C1	FO2	Output	Non-inverting output 2
C2	FO1	Output	Non-inverting output 1
C3	VM2	Power supply	Power supply 2 for motor drive
C4	RO2	Output	Inverting output 2
C5	RO1	Output	Inverting output 1
D1	PG3	Ground	Ground 3 for motor drive
D3	VM1	Power supply	Power supply 1 for motor drive
D4	PG2	Ground	Ground 2 for motor supply
D5	PG1	Ground	Ground 1 for motor supply

■ Pin Configuration (Bottom View)



■ Absolute Maximum Ratings

A No.	Parameter	Symbol	Rating	Unit	Appropriate Pin No.	Notes
1	Supply voltage	V_{DD}	6.0	V	—	*1
		V_M	14.0			
2	Supply current	I_{DD}	100	mA	—	—
		I_M	1 200			
3	Power dissipation	P_D	93	mW	—	*2
4	Operating ambient temperature	T_{opr}	-30 to +85	°C	—	*3
5	Storage temperature	T_{stg}	-55 to +150	°C	—	*3
6	Drive output current	$I_{(p)DC}$	±1 200 (DC)	mA	p = C1, C2, C4, C5	*4 *5
		$I_{(p)peak1}$	±6 000 (1 ms)	mA		
		$I_{(p)peak2}$	±3 500 (10 ms)	mA		
		$I_{(p)peak3}$	±2 000 (100 ms)	mA		
7	Drive output voltage	$V_{(m)}$	14.7	V	m = C1, C2, C4, C5	*5
8	Control signal input voltage	$V_{(n)}$	GND to V_{DD}	V	n = B1, B4, B5	—

Notes:

- *1 : The values under the condition not exceeding the above absolute maximum ratings and the power dissipation.
The voltage of the charge pump circuit voltage will exceed the supply voltage. The limit voltage of the charge pump is shown on page 7.
- *2 : The power dissipation shown is the value at $T_a = 85^\circ\text{C}$ for the independent (unmounted) IC package without a heat sink.
When using this IC, refer to the P_D - T_a diagram of the package standard and design the heat radiation with sufficient margin so that the allowable value might not be exceeded based on the conditions of power supply voltage, load, and ambient temperature.
- *3 : Except for the power dissipation, operating ambient temperature, and storage temperature, all ratings are for $T_a = 25^\circ\text{C}$.
- *4 : Design the heat radiation with sufficient margin so that the allowable value might not be exceeded based on the time conditions which the drive output current ±6 000 mA is allowed within 1 ms and ±3 500 mA is allowed within 10 ms and ±2 000 mA is allowed within 100 ms. However, the output frequency f requires that $f \leq 5$ Hz.
- *5 : Do not apply voltage or current from outside to these pin. The setting not exceeding the rating, even transiently, is required.
For the circuit currents, "+" denotes current flowing into the IC, and "-" denotes current flowing out of the IC.

■ Operating supply voltage range

Parameter	Symbol	Min	Typ	Max	Unit	Notes
Supply voltage range	V_{DD}	2.7	3.3	5.5	V	*1
	V_M	4.0	7.4	13.8		

Note:

- *1: The values under the condition not exceeding the above absolute maximum ratings and the power dissipation.

■ Allowable Current and Voltage Range

Notes:

- Allowable current and voltage ranges are limit ranges which do not result in damages to this IC, and IC operation is not guaranteed within these limit ranges.
- Voltage values, unless otherwise specified, are with respect to GND. GND is voltage for GND, PG1, PG2 and PG3.
GND = PG1 = PG2 = PG3
- V_{DD} is voltage for VDD.
- V_M is voltage for VM1 and VM2. $V_M = V_{M1} = V_{M2}$
- Do not apply external currents or voltages to any pin not specifically mentioned.
- For the circuit currents, "+" denotes current flowing into the IC, and "-" denotes current flowing out of the IC.

Pin No.	Pin name	Rating	Unit	Notes
A1	BC1	GND to V_M	V	*1
A2	BC2	GND to 19.5	V	*1
A3	VPUMP	GND to 19	V	*1
B1	STBY	GND to V_{DD}	V	—
B4	INB	GND to V_{DD}	V	—
B5	INA	GND to V_{DD}	V	—
C1	FO2	-1.0 to 14.7	V	*1
C2	FO1	-1.0 to 14.7	V	*1
C4	RO2	-1.0 to 14.7	V	*1
C5	RO1	-1.0 to 14.7	V	*1

Note:

- *1: Do not apply external voltage to this pin. The setting not exceeding the rating, even transiently, is required.

■ **Electrical Characteristics** at $V_{DD} = 3.3\text{ V}$, $V_M = 7.4\text{ V}$, $STBY = 3.3\text{ V}$

Note: $T_a = 25\text{ }^\circ\text{C} \pm 2\text{ }^\circ\text{C}$ unless otherwise specified.

B No.	Parameter	Symbol	Test circuits	Conditions	Limits			Unit	Notes
					Min	Typ	Max		
COMMON BLOCK									
Supply Current									
1	Drive power supply current in standby mode	I_{VM}	1	STBY = Low	—	—	800	nA	—
2	Control power supply current in standby mode	I_{DDS}	1	STBY = Low	—	—	800	nA	—
3	Control power supply current under no input	I_{DDA}	1	INA = INB = Low	—	1.4	2.0	mA	—
Standby Operation									
4	STBY high level input voltage	V_{SBH}	1	—	2.2	—	—	V	*1
5	STBY low level input voltage	V_{SBL}	1	—	—	—	0.5	V	*1
6	STBY pull-down resistance	R_{STBY}	1	—	100	200	300	k Ω	—
Charge Pump Circuit									
7	Charge pump voltage	V_{PUMP}	1	$I_{PUMP} = 0\text{ A}$	11.4	12.4	13.4	V	—
8	Charge pump current capability	V_{PUMPL}	1	$I_{PUMP} = -500\text{ }\mu\text{A}$	10.4	11.4	13.4	V	—
Driver Block									
9	INA, INB high level input voltage	V_{INH}	1	—	2.2	—	—	V	*1
10	INA, INB low level input voltage	V_{INL}	1	—	—	—	0.5	V	*1
11	INA, INB high level input current	I_{INH}	1	INA = INB = 3.3 V	8.3	16.5	33	μA	—
12	INA, INB low level input current	I_{INL}	1	—	-1.0	—	—	μA	—
13	Output ON resistance (Upper and Lower)	R_{ON}	2	$I_{out} = \pm 500\text{ mA}$	—	0.19	0.24	Ω	—
14	Rise time	T_R	3	—	—	0.1	0.2	μs	—
15	Fall time	T_F	3	—	—	0.1	0.2	μs	—
16	Turn on time	T_{PLH}	3	—	—	0.4	1.0	μs	—
17	Turn off time	T_{PHL}	3	—	—	0.2	0.5	μs	—

Note: *1: Refer to page 9 for the mode setting.

■ **Electrical Characteristics (Reference values for design)** at $V_{DD} = 3.3\text{ V}$, $V_M = 7.4\text{ V}$, $STBY = 3.3\text{ V}$

Notes: $T_a = 25\text{ °C} \pm 2\text{ °C}$ unless otherwise specified.

The characteristics listed below are reference values derived from the design of the IC and are not guaranteed by inspection. If a problem does occur related to these characteristics, we will respond in good faith to user concerns.

B No.	Parameter	Symbol	Test circuits	Conditions	Reference values			Unit	Notes
					Min	Typ	Max		
18	Input signal frequency	f_{max}	—	—	—	—	300	kHz	—
Operation of low voltage detection									
19	Operating voltage of low voltage detection	V_{LVD}	—	—	—	2.4	—	V	—
20	Hysteresis width	ΔV_{LVD}	—	—	—	0.2	—	V	—
Thermal Shutdown									
21	Thermal shutdown operating temperature	T_{TSD}	—	—	—	160	—	°C	—
22	Thermal shutdown hysteresis temperature	ΔT_{TSD}	—	—	—	35	—	°C	—

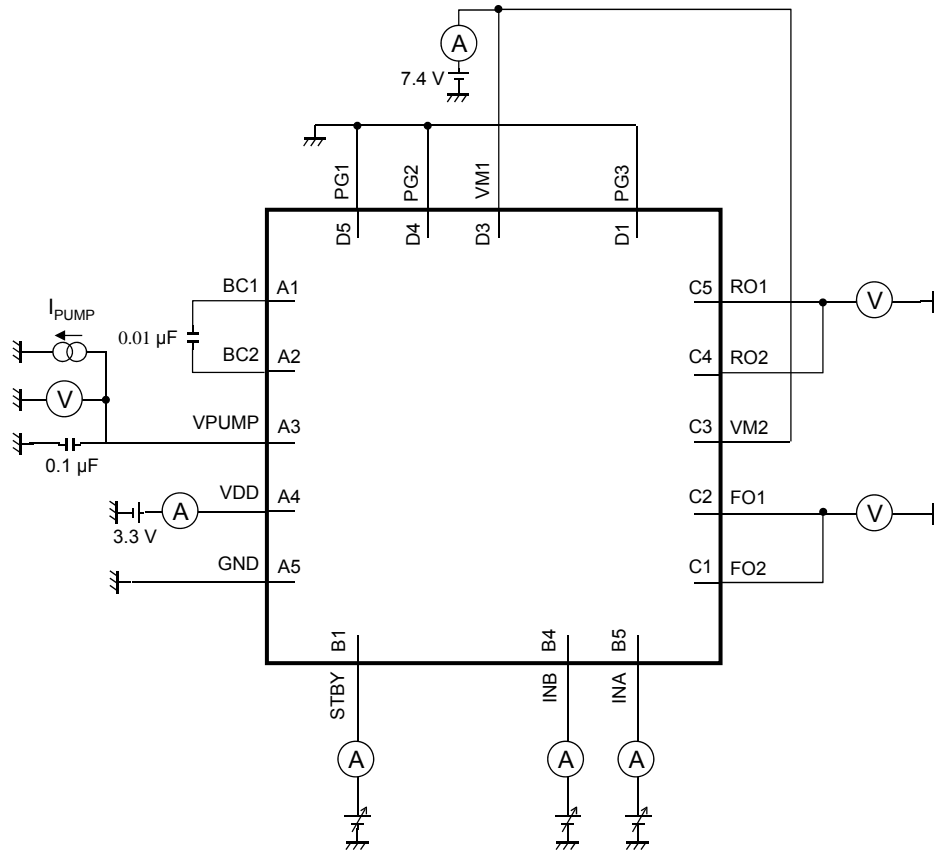
■ Control Pin Mode Table

STBY	VDD	Temperature	Input Logic		Output State		Charge Pump Circuit	Mode
			INA	INB	FO	RO		
High	> 2.4 V	< 160°C	High	High	Low	Low	Active	Brake
			High	Low	High	Low		Normal rotation
			Low	High	Low	High		Reverse rotation
			Low	Low	Z *	Z *		Mute
	≤ 2.4 V			Low voltage detection				
> 2.4 V	≥ 160°C	—	—			Thermal shutdown		
Low	—	—					Mute	Standby

Note *: Z means that output is Hi-Z

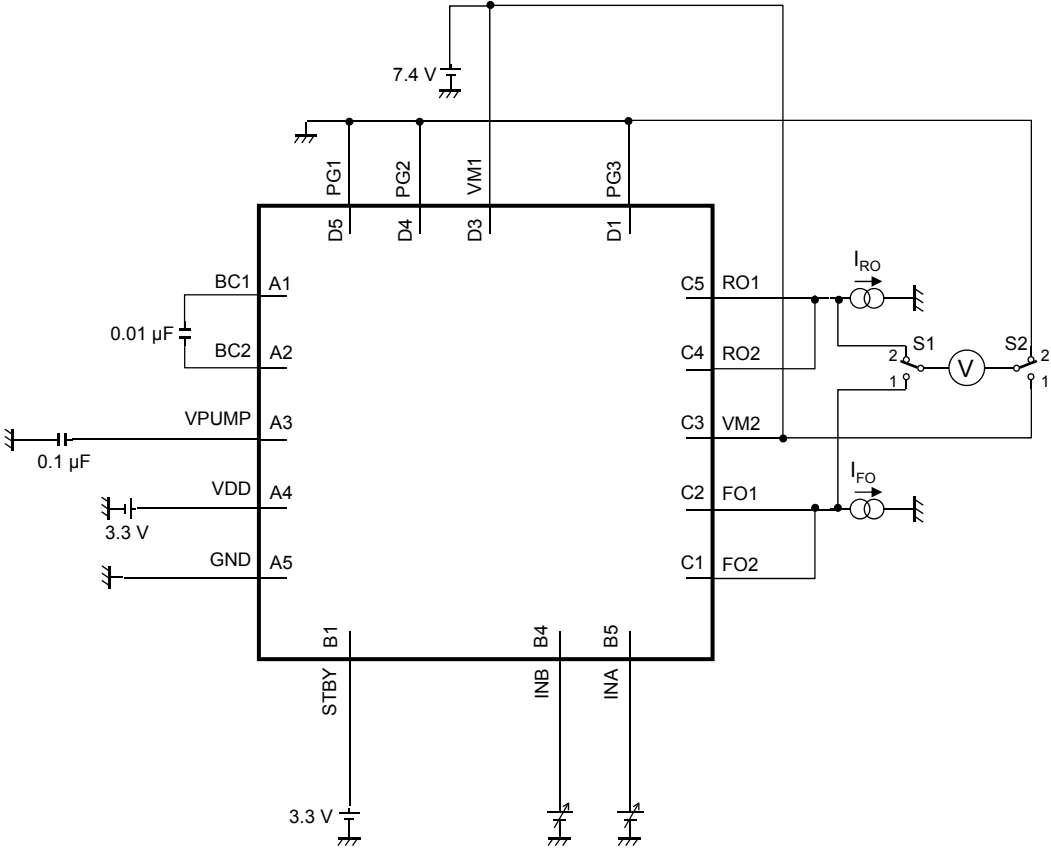
■ Test Circuit Diagram

1. Test Circuit 1



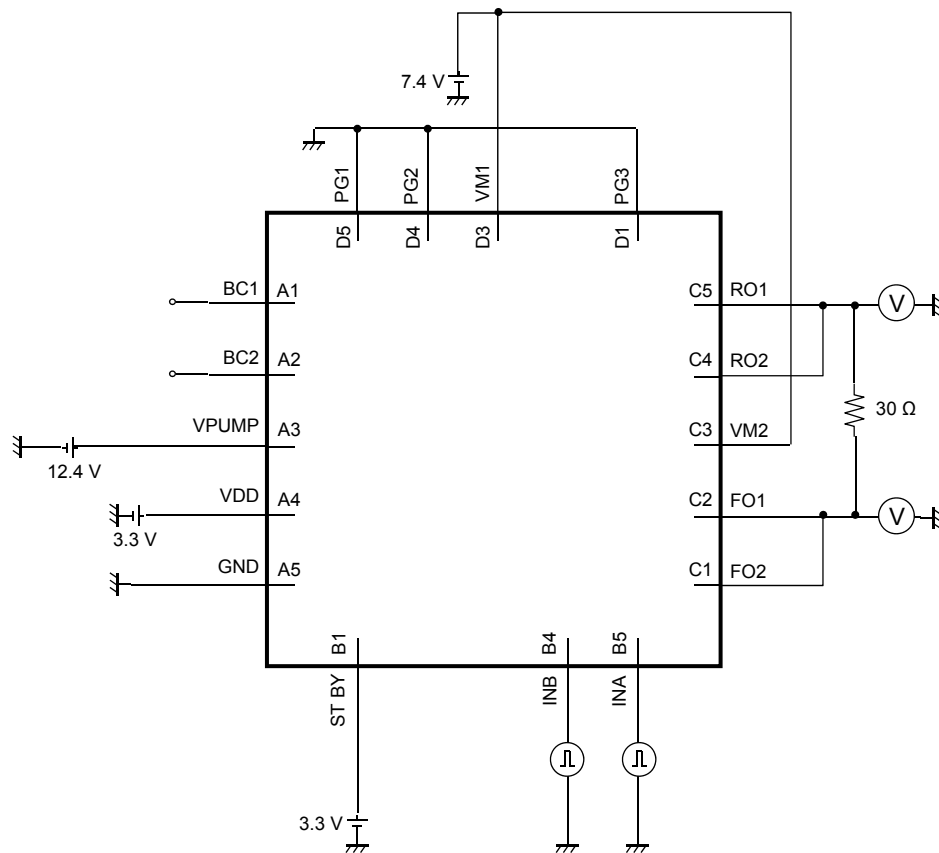
■ Test Circuit Diagram (continued)

2. Test Circuit 2



■ Test Circuit Diagram (continued)

3. Test Circuit 3



■ Electrical Characteristics Test Procedures

1. Test Circuit 1

C No.	Parameter	Input		Output	
		Pin No.	Conditions	Pin No.	Conditions
COMMON BLOCK					
Supply Current					
1	Drive power supply current in standby mode	B1	STBY = 0 V	C3, D3	—
2	Control power supply current in standby mode	B1	STBY = 0 V	A4	—
3	Control power supply current under no input	B1	STBY = 3.3 V	A4	—
Standby Operation					
4	STBY high level input voltage	B1	STBY = variable	—	Refer to remarks 1.
5	STBY low level input voltage	B1	STBY = variable	—	Refer to remarks 2.
6	STBY pull-down resistance	B1	STBY = 3.3V	B1	3.3 V / STBY pin current
Charge Pump Circuit					
7	Charge pump voltage	—	$I_{PUMP} = 0 \text{ mA}$	A3	Output DC voltage
8	Charge pump current capability	—	$I_{PUMP} = -500 \mu\text{A}$	A3	Output DC voltage
Driver Block					
9	INA, INB high level input voltage	B4, B5	INA = variable, INB = variable	—	Refer to remarks 1.
10	INA, INB low level input voltage	B4, B5	INA = variable, INB = variable	—	Refer to remarks 1.
11	INA, INB high level input current	B4, B5	INA = INB = 3.3 V	B4, B5	INA, INB pin current
12	INA, INB low level input current	B4, B5	INA = INB = 0 V	B4, B5	INA, INB pin current

Remarks:

- 1: No.4 STBY high level input voltage
 No.9 INA, INB high level input voltage
 No.10 INA, INB low level input voltage

The conditions of following (1) and (2) must be satisfied when STBY = 2.2 V.

- (1) Under the conditions that INA = 2.2 V, INB = 0.5 V,
 FO1, FO2 pin voltage $\geq 6.4 \text{ V}$ AND RO1, RO2 pin voltage $\leq 1 \text{ V}$
 (2) Under the conditions that INA = 0.5 V, INB = 2.2 V,
 RO1, RO2 pin voltage $\geq 6.4 \text{ V}$ AND FO1, FO2 pin voltage $\leq 1 \text{ V}$

- 2: No.5 STBY low level input voltage

Go through change the condition of No.4, STBY = 0.5 V. Each output pin gets into Hi-Z.

■ Electrical Characteristics Test Procedures (continued)

2. Test Circuit 2

C No.	Parameter	Input		Output	
		Pin No.	Conditions	Pin No.	Conditions
Driver Block (continued)					
13	Output ON resistance (Upper and Lower)	C1, C2, C4, C5	$I_{FO} = \pm 500 \text{ mA}$, $I_{RO} = \pm 500 \text{ mA}$	C1, C2, C4, C5	Refer to remarks 3.

Remarks:

3: No.13 Output ON resistance (Upper and Lower)

Operate Setting1, 3 in the following table.

Calculate R_{ONU} from the differential voltage between FO, RO pin and VM pin.

$$R_{ONFU} = |V_M - FO| / |I_{FO}|$$

$$R_{ONRU} = |V_M - RO| / |I_{RO}|$$

In the same way, operate Setting 2, 4 in the following table. Calculate R_{OND} from the differential voltage between FO, RO pin and PG pin.

$$R_{ONFD} = |FO - PG| / |I_{FO}|$$

$$R_{ONRD} = |RO - PG| / |I_{RO}|$$

Due to the above parameters, calculate

$$R_{ON} = R_{ONFU} + R_{ONRD}$$

$$R_{ON} = R_{ONRU} + R_{ONFD}$$

Setting	Parameter	Symbol	INA	INB	I_{FO}	I_{RO}	S1	S2
Setting 1	FO Upper-side output ON resistance	R_{ONFU}	3.3 V	0 V	-500 mA	—	1	1
Setting 2	FO Lower-side output ON resistance	R_{ONFD}	0 V	3.3 V	+500 mA	—	1	2
Setting 3	RO Upper-side output ON resistance	R_{ONRU}	3.3 V	0 V	—	-500 mA	2	1
Setting 4	RO Lower-side output ON resistance	R_{ONRD}	0 V	3.3 V	—	+500 mA	2	2

■ Electrical Characteristics Test Procedures (continued)

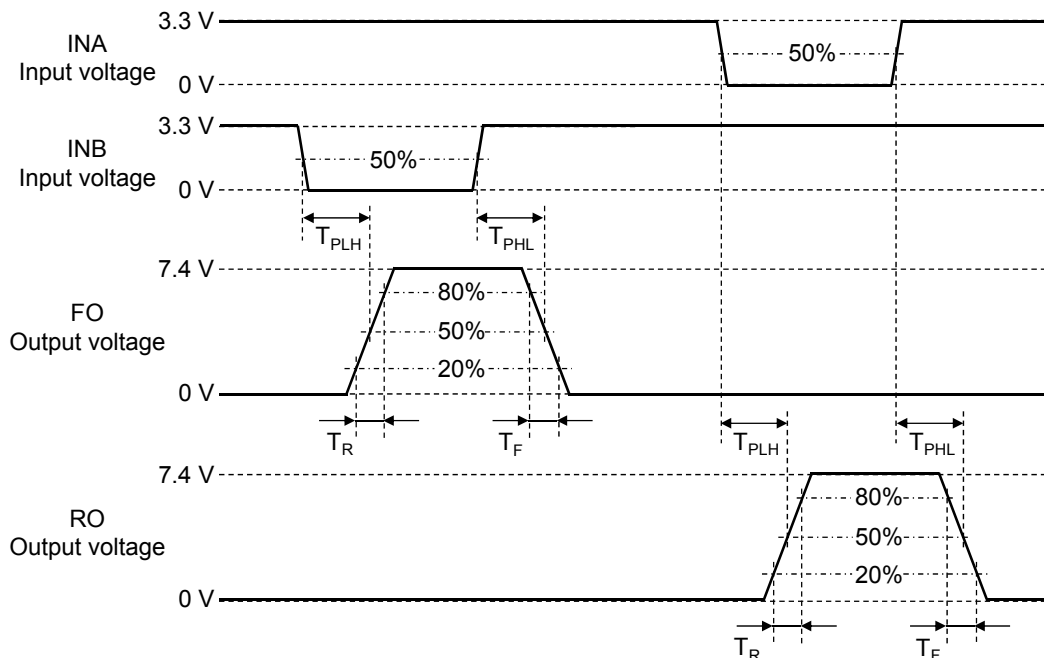
3. Test Circuit 3

C No.	Parameter	Input		Output	
		Pin No.	Conditions	Pin No.	Conditions
Driver Block (continued)					
14	Rise time	B4, B5	INA = variable, INB = variable	C1, C2, C4, C5	Load resistance 30 Ω Refer to remarks 4.
15	Fall time	B4, B5	INA = variable, INB = variable	C1, C2, C4, C5	Load resistance 30 Ω Refer to remarks 4.
16	Turn on time	B4, B5	INA = variable, INB = variable	C1, C2, C4, C5	Load resistance 30 Ω Refer to remarks 4.
17	Turn off time	B4, B5	INA = variable, INB = variable	C1, C2, C4, C5	Load resistance 30 Ω Refer to remarks 4.

Remarks:

- 4: No.14 Rise time (T_R)
- No.15 Fall time (T_F)
- No.16 Turn on time (T_{PLH})
- No.17 Turn off time (T_{PHL})

Measure the periods as shown in the following chart.



■ Technical Data

- I/O block circuit diagrams and pin function descriptions

Note: The characteristics listed below are reference values derived from the design of the IC and are not guaranteed.

Pin No.	Waveform and voltage	Internal circuit	Impedance	Description
A1	—		—	Charge pump capacitor connection 1
A2	—		—	Charge pump capacitor connection 2
A3	DC approx. 12.4 V		—	Charge pump output
A4	DC (Typ. 3.3 V)		—	Power supply for control circuit VDD
A5, D1, D4, D5	DC 0 V		—	A5: Ground for control circuit D1: Ground 3 for motor drive D4: Ground 2 for motor drive D5: Ground 1 for motor drive
B1	—		200 kΩ	Total shutdown input

■ Technical Data (continued)

- I/O block circuit diagrams and pin function descriptions (continued)

Note: The characteristics listed below are reference values derived from the design of the IC and are not guaranteed.

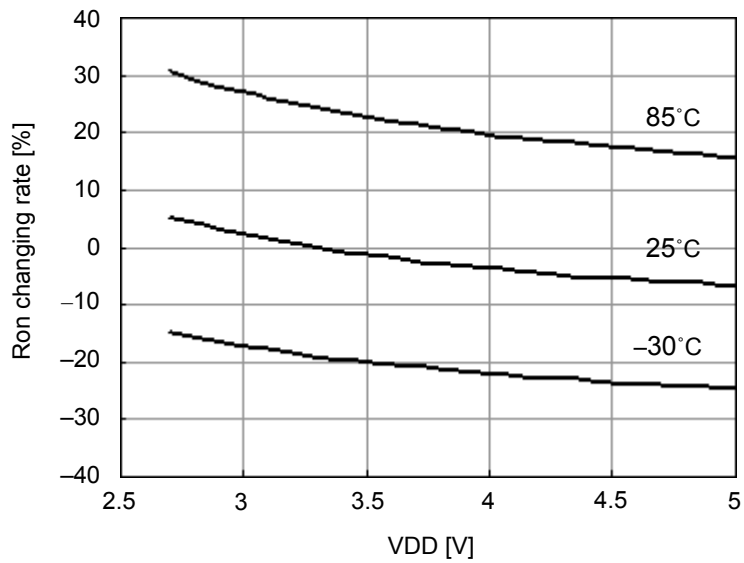
Pin No.	Waveform and voltage	Internal circuit	Impedance	Description
B4, B5	—		200 kΩ	B4: Inverting input B5: Non-inverting input
C1, C2, C4, C5	—		—	C1: Non-inverting output 2 C2: Non-inverting output 1 C4: Inverting output 2 C5: Inverting output 1
C3, D3	DC (Typ. 7.4 V)		—	C3: Power supply 2 for motor drive D3: Power supply 1 for motor drive

■ Technical Data (continued)

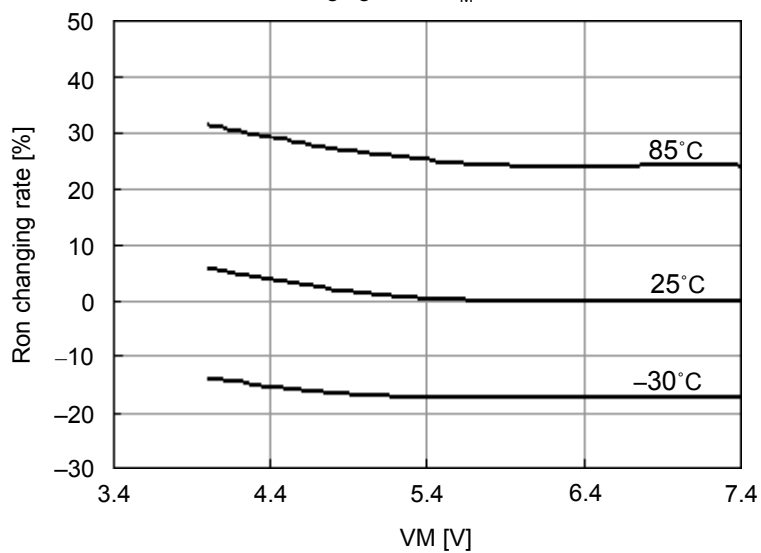
- Reference data

Note: The characteristics listed below are reference values derived from the design of the IC and are not guaranteed.

Ron changing rate— V_{DD} Characteristics



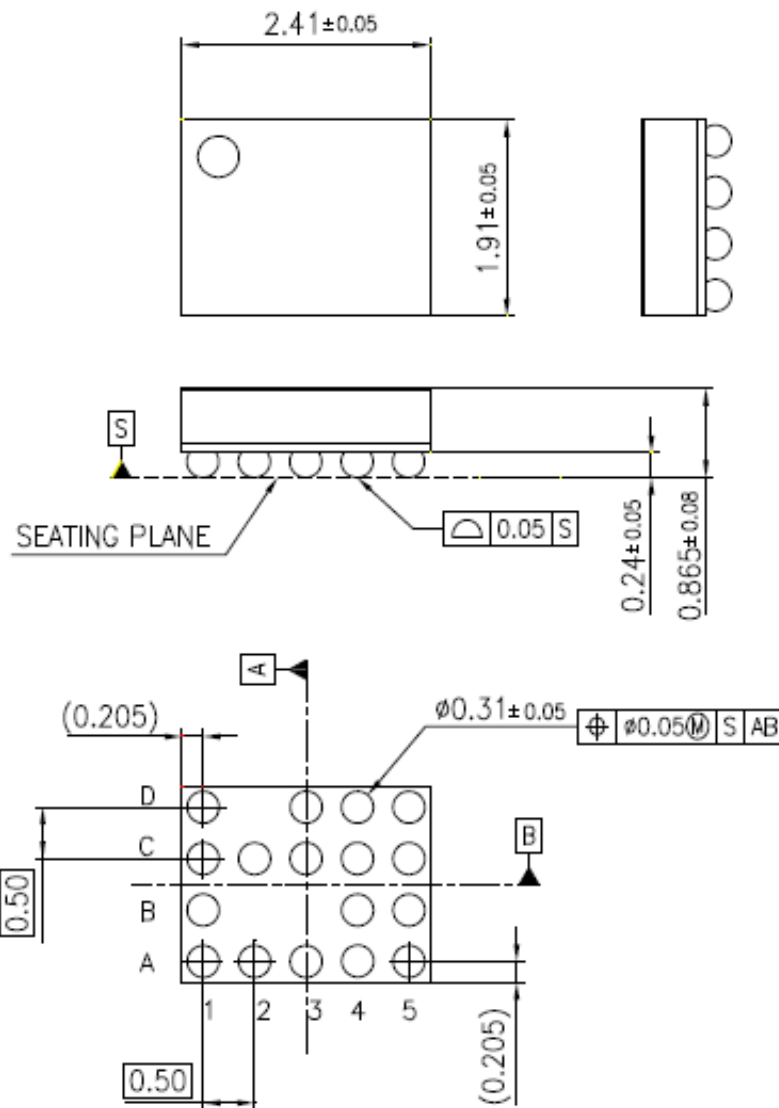
Ron changing rate— V_M Characteristics



PACKAGE INFORMATION (Reference Data)

Package Code : UBGA017-W-2025AEL

unit : mm



Body Material	: Br/Sb Free Epoxy Resin
Reroute Material	: Cu
Bump	: SnAgCu

■ Usage Notes

- Special attention and precaution in using

1. This IC is intended to be used for general electronic equipment [for DC motor for brush, actuator, etc.]. Consult our sales staff in advance for information on the following applications:
 - Special applications in which exceptional quality and reliability are required, or if the failure or malfunction of this IC may directly jeopardize life or harm the human body.
 - Any applications other than the standard applications intended.
 - (1) Space appliance (such as artificial satellite, and rocket)
 - (2) Traffic control equipment (such as for automobile, airplane, train, and ship)
 - (3) Medical equipment for life support
 - (4) Submarine transponder
 - (5) Control equipment for power plant
 - (6) Disaster prevention and security device
 - (7) Weapon
 - (8) Others: Applications of which reliability equivalent to (1) to (7) is required
2. Pay attention to the direction of IC. When mounting it in the wrong direction onto the printed-circuit-board (PCB), it might smoke or ignite.
3. Pay attention in the PCB pattern layout in order to prevent damage due to short circuit between pins. In addition, refer to the *Pin Description* for the pin configuration.
4. Perform a visual inspection on the PCB before applying power, otherwise damage might happen due to problems such as a solder-bridge between the pins of the semiconductor device. Also, perform a full technical verification on the assembly quality, because the same damage possibly can happen due to conductive substances, such as solder ball, that adhere to the IC during transportation.
5. Take notice in the use of this product that it might break or occasionally smoke when an abnormal state occurs such as output pin-VCC short (Power supply fault), output pin-GND short (Ground fault), or output-to-output-pin short (load short) .
And, safety measures such as an installation of fuses are recommended because the extent of the above-mentioned damage and smoke emission will depend on the current capability of the power supply.
6. When designing your equipment, comply with the range of absolute maximum rating and the guaranteed operating conditions (operating power supply voltage and operating environment etc.). Especially, be careful not to exceed the range of absolute maximum rating on the transient state, such as power-on, power-off and mode-switching. Otherwise, we will not be liable for any defect which may arise later in your equipment. Even when the products are used within the guaranteed values, take into the consideration of incidence of break down and failure mode, possible to occur to semiconductor products. Measures on the systems such as redundant design, arresting the spread of fire or preventing glitch are recommended in order to prevent physical injury, fire, social damages, for example, by using the products.
7. When using the IC for new models, verify the safety including the long-term reliability for each product.
8. When the application system is designed by using this IC, be sure to confirm notes in this book. Be sure to read the notes to descriptions and the usage notes in the book.
9. Due to unshielded structure of this IC, under exposure of light, function and characteristic of the product cannot be guaranteed. During normal operation or even under testing condition, ensure that IC is not exposed to light.
10. Basically, chip surface is ground potential. Design to ensure no contact between chip surface and metal shielding.

■ Usage Notes (continued)

- Notes of Power IC

1. The protection circuit is for maintaining safety against abnormal operation. Therefore, the protection circuit should not work during normal operation.
Especially for the thermal protection circuit, if the area of safe operation (ASO) or the absolute maximum rating is momentarily exceeded due to output pin to VCC short (Power supply fault), or output pin to GND short (Ground fault), the IC might be damaged before the thermal protection circuit could operate.
2. Unless specified in the product specifications, make sure that negative voltage or excessive voltage are not applied to the pins because the device might be damaged, which could happen due to negative voltage or excessive voltage generated during the ON and OFF timing when the inductive load of a motor coil or actuator coils of optical pick-up is being driven.
3. The product which has specified ASO should be operated in ASO.
4. Verify the risks which might be caused by the malfunctions of external components.

■ Usage Notes (continued)

• Notes of this IC

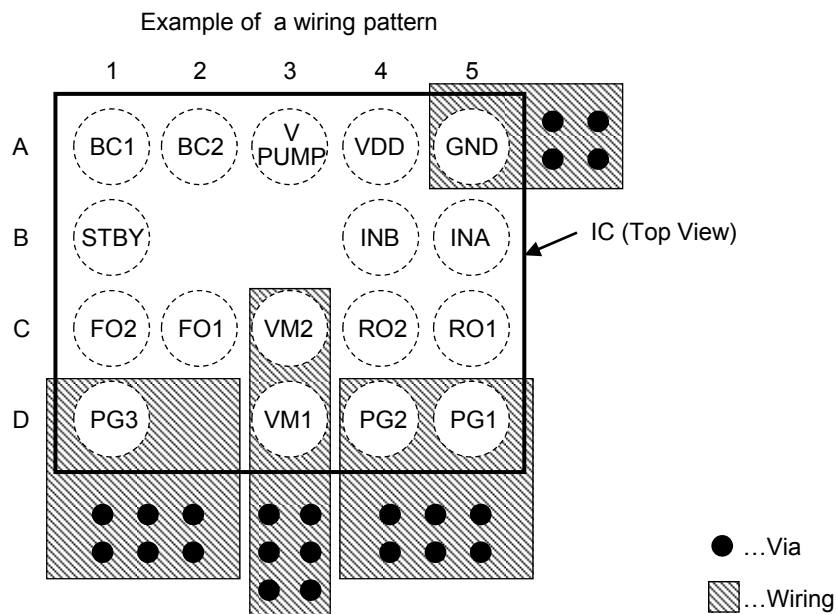
1. Make sure to power on, off, and switching under the standby mode (STBY = Low).
2. Apply voltage from a low-impedance source to VDD and VM. Connect a bypass capacitor to each as near the IC as possible.
3. In case of that the output is changed into Hi-Z (INA = INB = Low) in the rotation of motor, due to the motor current to flow back into a power source, the supply voltage might rise.
4. If the error detection circuit is active, all outputs are fixed in Hi-Z during the specified time (470 μ s \pm 30%). The function is for safety improvements and is not guaranteed nondestructive control.
5. Check the characteristics carefully before using this IC.
Preserve sufficient margin in consideration of dispersion of external components and our ICs including not only static characteristics but transition characteristics when using this IC changing external circuit constants.
6. Prohibit mounting with solder dipping and mounting to a flexible cable.
7. The heat thermal resistance is variable due to the mounted status of this IC. To reduce the heat thermal resistance, it is recommended that the power supply and GND pins are connected to a wide metal layer as short as possible.
Refer to the following figure shown an example of a wiring pattern.

Reference value:

The heat thermal resistance value (for simulation) in case of the following wiring pattern example

$$R_{th(j-a)} = 97^{\circ}\text{C} / \text{W}$$

Condition: Glass-epoxy PWB, 50 × 50 × 0.8t (mm), 4-ply



Request for your special attention and precautions in using the technical information and semiconductors described in this book

- (1) If any of the products or technical information described in this book is to be exported or provided to non-residents, the laws and regulations of the exporting country, especially, those with regard to security export control, must be observed.
- (2) The technical information described in this book is intended only to show the main characteristics and application circuit examples of the products. No license is granted in and to any intellectual property right or other right owned by Panasonic Corporation or any other company. Therefore, no responsibility is assumed by our company as to the infringement upon any such right owned by any other company which may arise as a result of the use of technical information described in this book.
- (3) The products described in this book are intended to be used for general applications (such as office equipment, communications equipment, measuring instruments and household appliances), or for specific applications as expressly stated in this book.
Please consult with our sales staff in advance for information on the following applications, moreover please exchange documents separately on terms of use etc.: Special applications (such as for in-vehicle equipment, airplanes, aerospace, automotive equipment, traffic signaling equipment, combustion equipment, medical equipment and safety devices) in which exceptional quality and reliability are required, or if the failure or malfunction of the products may directly jeopardize life or harm the human body.
Unless exchanging documents on terms of use etc. in advance, it is to be understood that our company shall not be held responsible for any damage incurred as a result of or in connection with your using the products described in this book for any special application.
- (4) The products and product specifications described in this book are subject to change without notice for modification and/or improvement. At the final stage of your design, purchasing, or use of the products, therefore, ask for the most up-to-date Product Standards in advance to make sure that the latest specifications satisfy your requirements.
- (5) When designing your equipment, comply with the range of absolute maximum rating and the guaranteed operating conditions (operating power supply voltage and operating environment etc.). Especially, please be careful not to exceed the range of absolute maximum rating on the transient state, such as power-on, power-off and mode-switching. Otherwise, we will not be liable for any defect which may arise later in your equipment.
Even when the products are used within the guaranteed values, take into the consideration of incidence of break down and failure mode, possible to occur to semiconductor products. Measures on the systems such as redundant design, arresting the spread of fire or preventing glitch are recommended in order to prevent physical injury, fire, social damages, for example, by using the products.
- (6) Comply with the instructions for use in order to prevent breakdown and characteristics change due to external factors (ESD, EOS, thermal stress and mechanical stress) at the time of handling, mounting or at customer's process. We do not guarantee quality for disassembled products or the product re-mounted after removing from the mounting board.
When using products for which damp-proof packing is required, satisfy the conditions, such as shelf life and the elapsed time since first opening the packages.
- (7) When reselling products described in this book to other companies without our permission and receiving any claim of request from the resale destination, please understand that customers will bear the burden.
- (8) This book may be not reprinted or reproduced whether wholly or partially, without the prior written permission of our company.