

# Panel feed-through terminal block - HDFK 25-DP-PE - 0707798

Please be informed that the data shown in this PDF Document is generated from our Online Catalog. Please find the complete data in the user's documentation. Our General Terms of Use for Downloads are valid (<http://phoenixcontact.com/download>)




Panel feed-through terminal block, connection method: Screw connection, Screw connection, number of positions: 1, load current: 125 A, cross section: 6 mm<sup>2</sup> - 35 mm<sup>2</sup>, AWG 10 - 2, width: 15.1 mm, color: green-yellow

The figure shows version HDFK 25 PE



## Key Commercial Data

Packing unit	50 pc
GTIN	 4 017918 004248
GTIN	4017918004248

## Technical data

### General

Number of levels	1
Number of connections	2
Nominal cross section	25 mm <sup>2</sup>
Color	green-yellow
Insulating material	PA
Flammability rating according to UL 94	V0
Rated surge voltage	6 kV
Degree of pollution	3
Overvoltage category	III
Insulating material group	I
Connection in acc. with standard	IEC 60947-7-2
Nominal current I <sub>N</sub>	101 A
Maximum load current	125 A
Nominal voltage U <sub>N</sub>	500 V
Open side panel	No
Number of positions	1

# Panel feed-through terminal block - HDFK 25-DP-PE - 0707798

## Technical data

### Dimensions

Width	15.1 mm
Pitch	15.1 mm

### Connection data

Note	Terminal sleeve
Connection side	Level 1 ext. 1
Connection method	Screw connection
Conductor cross section solid min.	6 mm <sup>2</sup>
Conductor cross section solid max.	35 mm <sup>2</sup>
Conductor cross section flexible min.	10 mm <sup>2</sup>
Conductor cross section flexible max.	25 mm <sup>2</sup>
Conductor cross section AWG min.	10
Conductor cross section AWG max.	2
Conductor cross section flexible, with ferrule without plastic sleeve min.	4 mm <sup>2</sup>
Conductor cross section flexible, with ferrule without plastic sleeve max.	25 mm <sup>2</sup>
Conductor cross section flexible, with ferrule with plastic sleeve min.	4 mm <sup>2</sup>
Conductor cross section flexible, with ferrule with plastic sleeve max.	25 mm <sup>2</sup>
2 conductors with same cross section, solid min.	2.5 mm <sup>2</sup>
2 conductors with same cross section, solid max.	10 mm <sup>2</sup>
2 conductors with same cross section, stranded min.	4 mm <sup>2</sup>
2 conductors with same cross section, stranded max.	10 mm <sup>2</sup>
2 conductors with same cross section, stranded, ferrules without plastic sleeve, min.	2.5 mm <sup>2</sup>
2 conductors with same cross section, stranded, ferrules without plastic sleeve, max.	10 mm <sup>2</sup>
2 conductors with same cross section, stranded, TWIN ferrules with plastic sleeve, min.	2.5 mm <sup>2</sup>
2 conductors with same cross section, stranded, TWIN ferrules with plastic sleeve, max.	10 mm <sup>2</sup>
Stripping length	19 mm
Internal cylindrical gage	B8
Screw thread	M5
Tightening torque, min	4 Nm
Tightening torque max	4.5 Nm
Connection side	Level 1 int. 1
Connection method	Screw connection
Conductor cross section solid min.	6 mm <sup>2</sup>
Conductor cross section solid max.	35 mm <sup>2</sup>
Conductor cross section flexible min.	10 mm <sup>2</sup>
Conductor cross section flexible max.	25 mm <sup>2</sup>
Conductor cross section AWG min.	10
Conductor cross section AWG max.	2

# Panel feed-through terminal block - HDFK 25-DP-PE - 0707798

## Technical data

### Connection data

Internal cylindrical gage	B8
---------------------------	----

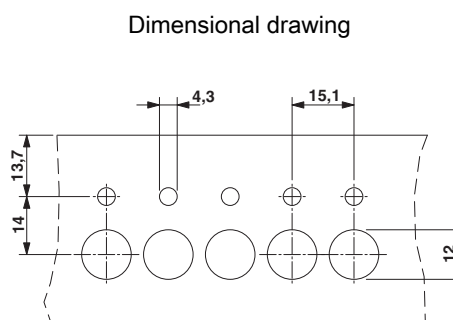
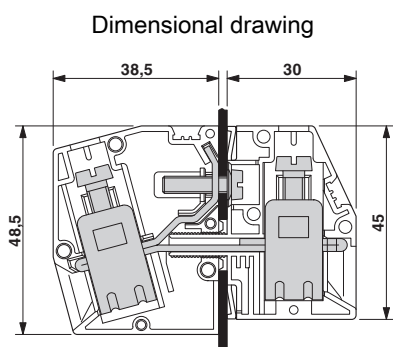
### Standards and Regulations

Connection in acc. with standard	CSA
	IEC 60947-7-2
	IEC / EN
Flammability rating according to UL 94	V0

### Environmental Product Compliance

China RoHS	Environmentally friendly use period: unlimited = EFUP-e
	No hazardous substances above threshold values

## Drawings



## Approvals

### Approvals

Approvals

CSA / UL Recognized / EAC

Ex Approvals


### Approval details

CSA		<a href="http://www.csagroup.org/services-industries/product-listing/">http://www.csagroup.org/services-industries/product-listing/</a>	13631
	B	C	
Nominal voltage UN	600 V	600 V	
Nominal current IN	100 A	100 A	

## Panel feed-through terminal block - HDFK 25-DP-PE - 0707798

### Approvals

	B	C
mm <sup>2</sup> /AWG/kcmil	8-4	8-4

UL Recognized		<a href="http://database.ul.com/cgi-bin/XYV/template/LISEXT/1FRAME/index.htm">http://database.ul.com/cgi-bin/XYV/template/LISEXT/1FRAME/index.htm</a> E60425-19890329
	B	C
Nominal voltage UN	600 V	600 V
Nominal current IN	115 A	115 A
mm <sup>2</sup> /AWG/kcmil	8-2	8-2

EAC		B.01742
-----	---	---------

Phoenix Contact 2019 © - all rights reserved  
<http://www.phoenixcontact.com>

PHOENIX CONTACT GmbH & Co. KG  
Flachsmarktstr. 8  
32825 Blomberg  
Germany  
Tel. +49 5235 300  
Fax +49 5235 3 41200  
<http://www.phoenixcontact.com>