

DIN rail mounting frame - HC-CIF-2B6-BFFD-FH-AL - 1404214

Please be informed that the data shown in this PDF Document is generated from our Online Catalog. Please find the complete data in the user's documentation. Our General Terms of Use for Downloads are valid (<http://phoenixcontact.com/download>)



HEAVYCON DIN rail mounting frame, lower part for double locking latch, for housing with double locking latch or HC-CIF..HFFD..., for two type B6 contact inserts, for NS35/7,5 DIN rails

Your advantages

- ✓ Sturdy metal version
- ✓ Open base, pre-assembled cable harnesses can be used
- ✓ Standardized design; both PE sheets for inserts are connected conductively
- ✓ Safe capacitive PE even when connected slightly askew

Key Commercial Data

Packing unit	1 pc
GTIN	
GTIN	4046356680264

Technical data

Dimensions

Length	120 mm
Width	56 mm
Height	85 mm

Ambient conditions

Ambient temperature (operation)	-40 °C ... 125 °C
---------------------------------	-------------------

General

Size	For 2xB6
Material	Cast aluminum, uncoated
Mounting type	DIN rail: 35 mm

Environmental Product Compliance

China RoHS	Environmentally Friendly Use Period = 50
------------	--

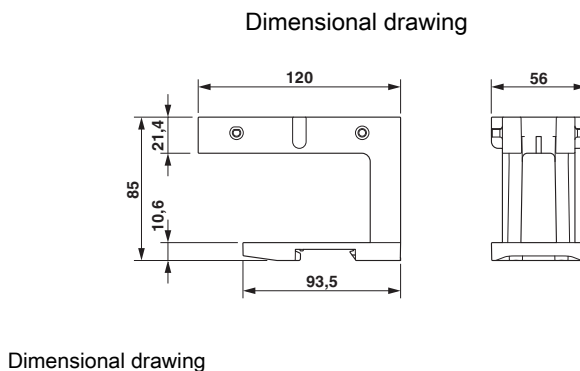
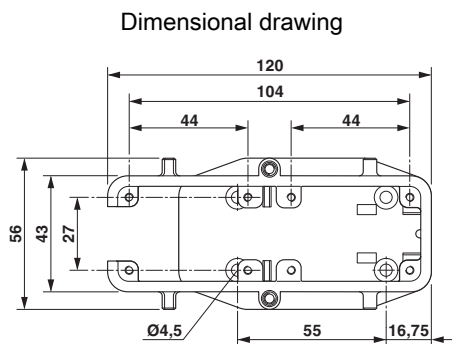
DIN rail mounting frame - HC-CIF-2B6-BFFD-FH-AL - 1404214

Technical data

Environmental Product Compliance

	For details about hazardous substances go to tab "Downloads", Category "Manufacturer's declaration"
--	---

Drawings



Dimensional drawing top view

Approvals

Approvals

Approvals

EAC

Ex Approvals

Approval details

EAC		RU C- DE.AI30.B.01102
-----	--	--------------------------

Phoenix Contact 2019 © - all rights reserved
<http://www.phoenixcontact.com>

PHOENIX CONTACT GmbH & Co. KG
Flachsmarktstr. 8
32825 Blomberg
Germany
Tel. +49 5235 300
Fax +49 5235 3 41200
<http://www.phoenixcontact.com>