


VS-TO-RO-MCBK-F1418/1418

Order No.: 1404278

Illustration similar to terminal outlet 2 x RJ45

<http://eshop.phoenixcontact.de/phoenix/treeViewClick.do?UID=1404278>Terminal outlet RJ45 IP65/67, 2 slots version 6, with protective plugs,
2 cable entries

Commercial data

GTIN (EAN)	 4 046356 305372
sales group	D551
Pack	1 pcs.
Customs tariff	85369085
Catalog page information	Page 328 (PC-2011)

Product notes

WEEE/RoHS-compliant since:
07/25/2007

<http://www.download.phoenixcontact.com>
Please note that the data given here has been taken from the online catalog. For comprehensive information and data, please refer to the user documentation. The General Terms and Conditions of Use apply to Internet downloads.

Technical data

Mechanical characteristics

Number of slots	2
Color	black
Ambient temperature (operation)	-40 °C ... 70 °C

Material data

Housing material	Aluminum cast alloy, powder-coated
Degree of protection	IP65/67

Electrical characteristics

Transmission characteristics (category)	CAT6
---	------

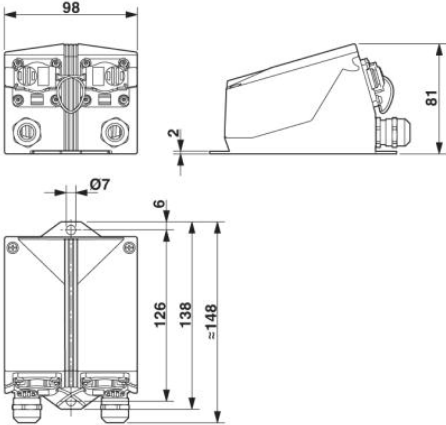
Accessories

Item	Designation	Description
General		
1656990	VS-08-RJ45-5-Q/IP67	RJ45 connector, IP67, CAT5e, 8-pos., with QUICKON fast connection technology, for 1-wire and 7-wire conductors AWG 26 ... 22, for cable diameter of 5.0 mm ... 8.0 mm, TIA 568 B labeling, color: gray
1658493	VS-08-RJ45-5-Q/IP67-BK	RJ45 connector, IP67, CAT5e, 8-pos., with QUICKON fast connection technology, for 1-wire and 7-wire conductors AWG 26 ... 22, for cable cross section 5.0 mm ... 8.0 mm, color: black
1652729	VS-08-ST-H21-RJ45	RJ45 male insert, CAT6, 8-pos., shielded, IDC displacement connection, for litz wire AWG 25 ... 24 and solid wires AWG 24, with strain relief
1688573	VS-08-ST-RJ45	RJ45 pin insert, CAT5e, 8-pos., shielded, IDC connection method, for litz wires AWG 26 and solid wires AWG 26 ... 24
Tools		
1657407	VS-CABLE-STRIP-VARIO	Stripping tool, for the multi-level stripping of shielded cables
1653265	VS-CT-RJ45-H	Crimp tool, pliers with die, for RJ45 pin inserts VS-08-ST-H...-RJ45 and VS-08-RJ45-10G/C

Diagrams/Drawings

Dimensioned drawing

Terminal outlet 2 x RJ45



Address

PHOENIX CONTACT Inc., USA
586 Fulling Mill Road
Middletown, PA 17057, USA
Phone (800) 888-7388
Fax (717) 944-1625
<http://www.phoenixcon.com>



© 2011 Phoenix Contact
Technical modifications reserved;