



Extract from the online catalog

# VS-TO-RO-MCBK-F1421/1421

Order No.: 1404294

Terminal outlet 2xM12 4-pos.



<http://eshop.phoenixcontact.de/phoenix/treeViewClick.do?UID=1404294>

Terminal outlet M12 IP65/67, 2 slots 4-pos. D-coded, with protective plugs, 2 cable entries

Commercial data	
GTIN (EAN)	4046356305396
sales group	D551
Pack	1 pcs.
Customs tariff	85369085
Weight/Piece	0.7192 KG
Catalog page information	Page 232 (PC-2009)

#### Product notes

WEEE/RoHS-compliant since:  
07/25/2007



<http://www.download.phoenixcontact.com>  
Please note that the data given here has been taken from the online catalog. For comprehensive information and data, please refer to the user documentation. The General Terms and Conditions of Use apply to Internet downloads.

## Technical data

Mechanical characteristics	
Number of slots	2
Color	black
Ambient temperature (operation)	-40 °C ... 70 °C

VS-TO-RO-MCBK-F1421/1421 Order No.: 1404294  
<http://eshop.phoenixcontact.de/phoenix/treeViewClick.do?UID=1404294>

**Material data**

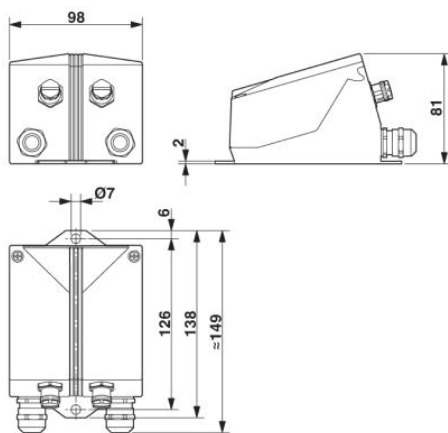
Housing material	Aluminum cast alloy, powder-coated
Degree of protection	IP65/67

**Electrical characteristics**

Transmission characteristics (category)	CAT5 (IEC 11801:2002), CAT5e (TIA 568B:2001)
---	--

**Diagrams/Drawings**

Dimensioned drawing



Terminal outlet 2xM12 4-pos.

onlinecomponents.com

VS-TO-RO-MCBK-F1421/1421 Order No.: 1404294  
<http://eshop.phoenixcontact.de/phoenix/treeViewClick.do?UID=1404294>

---

**Address**

PHOENIX CONTACT Deutschland GmbH  
Flachmarktstr. 8  
32825 Blomberg, Germany  
Phone +49 5235 3 12000  
Fax +49 5235 3 41200  
<http://www.phoenixcontact.de>



© 2010 Phoenix Contact  
Technical modifications reserved;

onlinecomponents.com