

Terminal outlet - VS-TO-RO-MCBK-F1421/1421 - 1404294

Please be informed that the data shown in this PDF Document is generated from our Online Catalog. Please find the complete data in the user's documentation. Our General Terms of Use for Downloads are valid (<http://phoenixcontact.com/download>)



Terminal outlet M12 IP65/67, 2 slots 4-pos. D-coded, with protective plugs, 2 cable entries


Terminal outlet 2xM12 4-pos.

Why buy this product

- Easy installation, thanks to captive cover screws
- Robust design
- Integrated cable management system



Key Commercial Data

| | |
|--------------|---------------------------------------------------------------------------------------------------------|
| Packing unit | 1 STK |
| GTIN |  4 046356 305396 |
| GTIN | 4046356305396 |

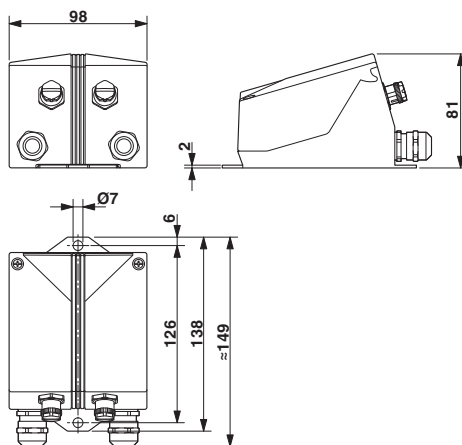
Technical data

| | |
|--------------|-------------------------|
| Product type | Network distributor box |
| Approval | EAC |

Drawings

Terminal outlet - VS-TO-RO-MCBK-F1421/1421 - 1404294

Dimensional drawing



Terminal outlet 2xM12 4-pos.

Approvals

Approvals

Approvals

EAC

Ex Approvals

Approval details

| | | |
|-----|--|---------|
| EAC | | B.01742 |
|-----|--|---------|

Phoenix Contact 2018 © - all rights reserved
<http://www.phoenixcontact.com>

PHOENIX CONTACT GmbH & Co. KG
Flachsmarktstr. 8
32825 Blomberg
Germany
Tel. +49 5235 300
Fax +49 5235 3 41200
<http://www.phoenixcontact.com>