


VS-TO-RO-MCBK-F1417/1413

Order No.: 1404346

Terminal outlet 1xSCRJ; 1xPower

<http://eshop.phoenixcontact.de/phoenix/treeViewClick.do?UID=1404346>Terminal outlet SCRJ/Power IP65/67 Push-Pull, 2 slots version 14,
with protective plugs, 2 cable entries

Commercial data

GTIN (EAN)	 4 046356 303163
sales group	D551
Pack	1 pcs.
Customs tariff	85369085
Catalog page information	Page 338 (PC-2011)

Product notes

WEEE/RoHS-compliant since:
07/25/2007

<http://www.download.phoenixcontact.com>
Please note that the data given here has been taken from the online catalog. For comprehensive information and data, please refer to the user documentation. The General Terms and Conditions of Use apply to Internet downloads.

Technical data

Mechanical characteristics

Number of slots	2
Color	black
Ambient temperature (operation)	-40 °C ... 70 °C

Material data

Housing material	Aluminum cast alloy, powder-coated
Degree of protection	IP65/67

Accessories

Item	Designation	Description
------	-------------	-------------

General

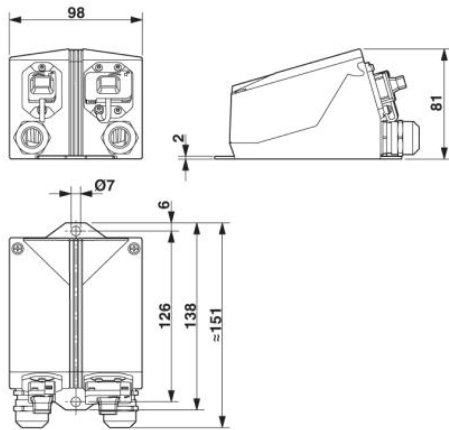
1657863	VS-PPC-C1-SCRJ-POBK-PG9-A3C-C	SCRJ fiber optic connector, IP67, with push-pull interlocking, plastic housing, duplex, with fast connection technology, for HCS fiber 200/230 µm, for individual wire diameter 2.2 mm, for cable cross section 6.5 mm ... 9.5 mm
1657850	VS-PPC-C1-SCRJ-POBK-PG9-A4D-C	SCRJ fiber optic connector, IP67, with push-pull interlocking, plastic housing, duplex, with fast connection technology, for polymer fiber 980/1000 µm, for individual wire diameter 2.2 mm, for cable cross section 6.5 mm ... 9.5 mm
1404087	VS-SCRJ-HCS-FA-IP20-PN	Fiber optic connector SCRJ, IP20, duplex, with fast connection technology, for PROFINET, for HCS fiber 200/230 µm, for individual wire diameter 2.2 mm
1654879	VS-SCRJ-POF-FA-IP20	SCRJ fiber optic connector, IP20, duplex, with fast connection technology, for polymer fiber 980/1000 µm, for individual wire diameter 2.2 mm

Tools

2708876	PSM-HCS-KONFTOOL/SC-RJ	HCS assembly kit for SCRJ quick mounting connectors, including stripping blade, stripping pliers, aramide yarn scissors, fiber stripper, microscope, fiber cleaving tool for standard HCS and HCS GI fibers, and documentation
1657096	VS-SCRJ-POF-KONFTOOL-CUT	SCRJ cutting tool set, for polymer fiber, for field assembly of SCRJ/IP20 and SCRJ/IP67 Push-Pull connectors with fast connection technology, consisting of stripping tool, aramid scissors, SCRJ cutting tool, microscope, 2x SCRJ connectors IP20

Diagrams/Drawings

Dimensioned drawing



Terminal outlet 1xSCRJ; 1xPower

Address

PHOENIX CONTACT Inc., USA
586 Fulling Mill Road
Middletown, PA 17057, USA
Phone (800) 888-7388
Fax (717) 944-1625
<http://www.phoenixcon.com>



© 2011 Phoenix Contact
Technical modifications reserved;