

Sensor/actuator box - SACB-6/12-L- 5,0PUR SCO P NPN - 1405735

Please be informed that the data shown in this PDF Document is generated from our Online Catalog. Please find the complete data in the user's documentation. Our General Terms of Use for Downloads are valid (<http://phoenixcontact.com/download>)




Sensor/actuator box, connection method: M12-SPEEDCON-socket Plastic, number of slots: 6, number of positions: 5, coding: A - standard, slot assignment: Double, status display: yes, npn; master cable connection: Fixed connection 180°, PUR/PVC, cable length: 5 m, shielding: no

Your advantages

- ✓ Safety in the field, thanks to molded housing and high degree of protection
- ✓ Flexible, distributed bundling of signals in one master cable
- ✓ Convenient: increased machine availability thanks to quick and easy diagnostics
- ✓ Save space: distributor box with double occupancy for two sensors in one slot
- ✓ Save time, thanks to installation with SPEEDCON fast locking system



Key Commercial Data

| | |
|--------------|---|
| Packing unit | 1 pc |
| GTIN |  4 046356 782890 |
| GTIN | 4046356782890 |

Technical data

General

| | |
|--|---------------------|
| Rated voltage | 24 V DC |
| Max. operating voltage U_{max} | 30 V DC |
| Current carrying capacity per I/O signal | 2 A |
| Current carrying capacity per slot | 4 A |
| Total rated current | 12 A |
| Number of positions | 5 |
| Number of slots | 6 |
| Sensor/actuator connection system | M12-SPEEDCON-socket |

Ambient conditions

| | |
|----------------------|------|
| Degree of protection | IP65 |
| | IP67 |

Sensor/actuator box - SACB-6/12-L- 5,0PUR SCO P NPN - 1405735

Technical data

Ambient conditions

| | |
|---------------------------------|---|
| Ambient temperature (operation) | -25 °C ... 80 °C |
| | -40 °C ... 90 °C (for fixed installation) |
| | -5 °C ... 80 °C (for flexible installation) |

Local diagnostics function

| | |
|-------------------|-------------------------------|
| Local diagnostics | Supply voltage Green LED |
| | Status display I/O Yellow LED |

Master cable connection data

| | |
|--|------------------|
| Connection method | Fixed connection |
| Length of cable | 5 m |
| Tightening torque slot sensor/actuator cable | 0.4 Nm |
| Tightening torque of mounting screw for fixing the housing | 0.5 Nm |

Insulation material

| | |
|-------------------------------|-------------|
| Housing material | PBT |
| Material of the moulding mass | PUR |
| Contact material | Cu alloy |
| Contact surface material | gold-plated |
| Contact carrier material | PA |
| Material of threaded sleeve | PBT |
| O-ring material | NBR |

Pin assignment

| | |
|--|-----------------------|
| Slot/position = Wire color or connection | 1 / 4 (A) = WH |
| | 1 / 2 (B) = GY/PK |
| | 2 / 4 (A) = GN |
| | 2 / 2 (B) = RD/BU |
| | 3 / 4 (A) = YE |
| | 3 / 2 (B) = WH/GN |
| | 4 / 4 (A) = GY |
| | 4 / 2 (B) = BN/GN |
| | 5 / 4 (A) = PK |
| | 5 / 2 (B) = WH/YE |
| | 6 / 4 (A) = RD |
| | 6 / 2 (B) = YE/BN |
| | 1-6 / 1 (+ 24 V) = BN |
| | 1-6 / 3 (0 V) = BU |
| | 1-6 / 5 (PE) = GN/YE |

Standards and Regulations

| | |
|-----------------------|-----------------|
| Standard designation | M12 connector |
| Standards/regulations | IEC 61076-2-101 |

Sensor/actuator box - SACB-6/12-L- 5,0PUR SCO P NPN - 1405735

Technical data

Standards and Regulations

| | |
|----------------------------------|-----|
| Connection in acc. with standard | CUL |
|----------------------------------|-----|

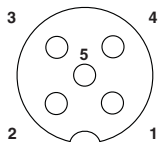
Cable

| | |
|---|---|
| Cable type | PUR/PVC black |
| Cable type (abbreviation) | PUR |
| Cable abbreviation | LiYY11Y-HF |
| UL AWM style | 20549 |
| Conductor cross section | 12x 0.5 mm ² (Signal line) |
| | 3x 1 mm ² (power line) |
| AWG signal line | 20 |
| AWG power supply | 17 |
| Conductor structure signal line | 28x 0.15 mm |
| Conductor structure, voltage supply | 56x 0.15 mm |
| Core diameter including insulation | 1.5 mm ±0.1 mm (Signal line) |
| | 2.1 mm ±0.1 mm (power line) |
| Thickness, insulation | ≥ 0.15 mm (Inner sheath) |
| | ≥ 0.76 mm (Outer cable sheath) |
| Wire colors | brown, blue, green/yellow, white, green, yellow, gray, pink, red, gray/pink, red/blue, white/green, brown/green, white/yellow, yellow/brown |
| Overall twist | Wires twisted in layers |
| External sheath, color | black RAL 9005 |
| External cable diameter D | 9.4 mm ±0.2 mm |
| Minimum bending radius, fixed installation | 7.5 x D |
| Minimum bending radius, flexible installation | 10 x D |
| Number of bending cycles | 1500000 |
| Bending radius | 94 mm |
| Traversing path | 2 m |
| Traversing rate | 2 m/s |
| Cable weight | 150.9 kg/km |
| Outer sheath, material | PUR |
| Material, inner sheath | PVC |
| Material conductor insulation | PVC |
| Conductor material | Bare Cu litz wires |
| Nominal voltage, cable | 300 V |
| Test voltage, cable | 2000 V |
| Special properties | Silicone-free |
| Flame resistance | DIN EN 50265 |
| Resistance to oil | according to VDE 0472 Part 803 |
| Other resistance | Highly resistant to acids, alkaline solutions and solvents |
| Ambient temperature (operation) | -40 °C ... 90 °C (cable, fixed installation) |
| | -5 °C ... 80 °C (cable, flexible installation) |

Sensor/actuator box - SACB-6/12-L- 5,0PUR SCO P NPN - 1405735

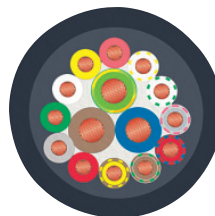
Drawings

Schematic diagram



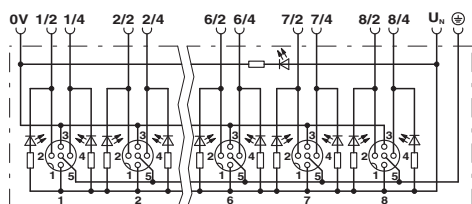
M12 slot, socket, 5-pos.

Cable cross section

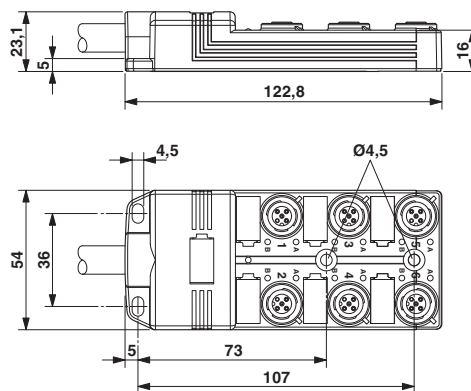


PUR/PVC black [PUR]

Circuit diagram



Dimensional drawing



Approvals

Approvals

Approvals

UL Recognized / cUL Recognized / cULus Recognized


Ex Approvals

Approval details

| | | | |
|--------------------|------|---|---------------|
| UL Recognized | | http://database.ul.com/cgi-bin/XYV/template/LISEXT/1FRAME/index.htm | File E 118976 |
| Nominal voltage UN | 24 V | | |

Sensor/actuator box - SACB-6/12-L- 5,0PUR SCO P NPN - 1405735

Approvals

| | | | |
|--------------------|---|---|---------------|
| cUL Recognized |  | http://database.ul.com/cgi-bin/XYV/template/LISEXT/1FRAME/index.htm | File E 118976 |
| Nominal voltage UN | | 24 V | |

| | |
|------------------|---|
| cULus Recognized |  |
|------------------|---|

Phoenix Contact 2018 © - all rights reserved
<http://www.phoenixcontact.com>

PHOENIX CONTACT GmbH & Co. KG
Flachsmarktstr. 8
32825 Blomberg
Germany
Tel. +49 5235 300
Fax +49 5235 3 41200
<http://www.phoenixcontact.com>