

## RJ45 connector - CUC-IND-C1ZNI-S/R4QP8:30 - 1406352

Please be informed that the data shown in this PDF Document is generated from our Online Catalog. Please find the complete data in the user's documentation. Our General Terms of Use for Downloads are valid (<http://phoenixcontact.com/download>)




RJ45 connector, degree of protection: IP20, number of positions: 8, 10 Gbps, material: Zinc die-cast, connection method: IDC, connection cross section: AWG 23- 22, cable outlet: straight, High degree of resistance to vibration; 360° shielding; one-piece design; special tool-free assembly

### Your advantages

- Value pack with 30 pcs.
- assembly without special tools
- One-Piece Design
- 360° shielding
- High shock and vibration resistance



### Key Commercial Data

Packing unit	1 pc
GTIN	 4 046356 760980
GTIN	4046356760980

### Technical data

#### Mechanical characteristics

Connection method	IDC
Minimum external conductor diameter	5 mm
Maximum external conductor diameter	9 mm
AWG solid min.	23
AWG solid max.	22
AWG multi-stranded min.	23
AWG multi-stranded max.	22
Cable outlet	straight
No. of cable outlets	1
Weight	478.8 g

#### Ambient conditions

# RJ45 connector - CUC-IND-C1ZNI-S/R4QP8:30 - 1406352

## Technical data

### Ambient conditions

Ambient temperature (operation)	-40 °C ... 70 °C
---------------------------------	------------------

### Material data

Housing material	Zinc die-cast
------------------	---------------

### Electrical characteristics

Number of positions	8
Transmission speed	10 Gbps
	10 Gbps
Frequency range	to 500 MHz

### Standards and Regulations

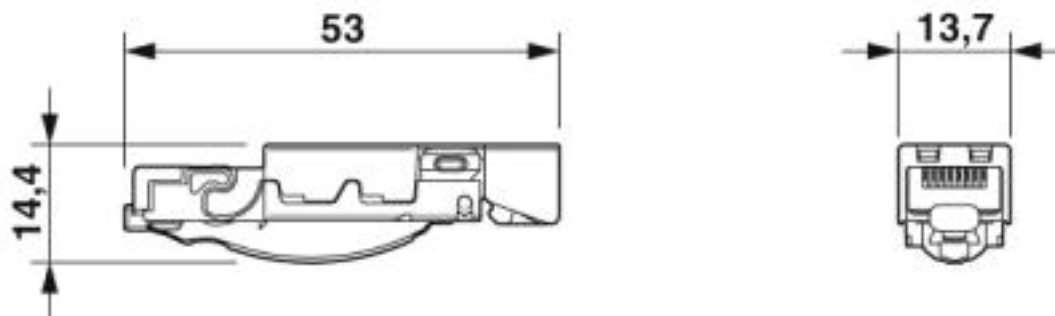
Flammability rating according to UL 94	V0
--	----

### Environmental Product Compliance

China RoHS	Environmentally Friendly Use Period = 50 years
	For details about hazardous substances go to tab "Downloads", Category "Manufacturer's declaration"

## Drawings

Dimensional drawing



## Classifications

### eCl@ss

eCl@ss 4.0	272607xx
eCl@ss 4.1	27260701
eCl@ss 5.0	27260701
eCl@ss 5.1	27260701
eCl@ss 6.0	27260704
eCl@ss 7.0	27440402
eCl@ss 8.0	27440101
eCl@ss 9.0	27440101

# RJ45 connector - CUC-IND-C1ZNI-S/R4QP8:30 - 1406352

## Classifications

### ETIM

ETIM 3.0	EC001121
ETIM 4.0	EC002643
ETIM 5.0	EC002636
ETIM 6.0	EC002636

### UNSPSC

UNSPSC 6.01	30211810
UNSPSC 7.0901	39121409
UNSPSC 11	39121409
UNSPSC 12.01	39121409
UNSPSC 13.2	39121409

## Accessories

### Accessories

#### Data cable by the meter

Network cable - VS-OE-OE-93B-100,0 - 1416389



Network cable, PROFINET CAT5 (100 Mbps), 4-position, PVC, green RAL 6018, shielded, free cable end, on free cable end, cable length: 100 m

Network cable - VS-OE-OE-93B/... - 1417362



Network cable, PROFINET CAT5 (100 Mbps), 4-position, PVC, green RAL 6018, shielded, free cable end, on free cable end, cable length: Free entry (0.5 ... 400 m)

### Electronics pliers

Diagonal cutter - MICROFOX-SP-1 - 1212487



Electronic diagonal cutter, tapered head, without chamfer, with opening spring, non-reflective phosphate-treated surface, punched version

### Terminal marking

## RJ45 connector - CUC-IND-C1ZNI-S/R4QP8:30 - 1406352

### Accessories

Marker for terminal blocks - TMT 5 R - 0816430



Marker for terminal blocks, Roll, white, unlabeled, can be labeled with: THERMOMARK ROLL 2.0, THERMOMARK ROLL, THERMOMARK ROLL X1, THERMOMARK ROLLMASTER 300/600, THERMOMARK X1.2, THERMOMARK S1.1, perforated, mounting type: snap into universal marker groove, snap into flat marker groove, for terminal block width: 5.2 mm, lettering field size: 6.4 x 5.15 mm, Number of individual labels: 19000

---

Stripping tool - VS-CABLE-STRIP-VARIO - 1657407



Stripping tool, for the multi-level stripping of shielded cables

---

Phoenix Contact 2020 © - all rights reserved  
<http://www.phoenixcontact.com>

PHOENIX CONTACT GmbH & Co. KG  
Flachsmarktstr. 8  
32825 Blomberg  
Germany  
Tel. +49 5235 300  
Fax +49 5235 3 41200  
<http://www.phoenixcontact.com>