

RJ45 connector - CUC-V14-C1ZNI-S/R4IE8 - 1407890

Please be informed that the data shown in this PDF Document is generated from our Online Catalog. Please find the complete data in the user's documentation. Our General Terms of Use for Downloads are valid (<http://phoenixcontact.com/download>)




Push-pull connector (version 14), die-cast zinc, with RJ45 connector insert, 8-pos., with IDC fast connection technology, for 1 and 7-wire cores, 26 ... 24 AWG, for cable diameter of 5.5 mm ... 10 mm

Your advantages

- ✓ Push-pull ADVANCE connector
- ✓ Locking system to prevent inadvertent removal
- ✓ Protected data transmission, thanks to 360° shielding concept
- ✓ High resistance to ESD and EMC for reliable transmission



Key Commercial Data

Packing unit	1 pc
GTIN	 4 046356 781534
GTIN	4046356781534

Technical data

Mechanical characteristics

Standards/specifications	IEC PAS 61076-3-117
Number of positions	8
Connection profile	RJ45
Locking type	Push Pull
Insertion/withdrawal cycles	≥ 750
Connection method	IDC fast connection
Connection cross section AWG	26 ... 24 (solid) 26 ... 24 (flexible)
Max. cable diameter	5.5 mm ... 10 mm
External cable diameter	5.5 mm ... 10 mm
Cable outlet	straight
Degree of protection	IP65/IP67

RJ45 connector - CUC-V14-C1ZNI-S/R4IE8 - 1407890

Technical data

Mechanical characteristics

Type	Version 14
No. of cable outlets	1
Note	This product corresponds to the PROFINET Cabling and Interconnection Technology Guideline for PROFINET regulations, version 3.01, Order No. 2252

Ambient conditions

Ambient temperature (operation)	-40 °C ... 70 °C
Ambient temperature (assembly)	-10 °C ... 40 °C
Ambient temperature (storage/transport)	-40 °C ... 70 °C

Material data

Housing material	Zinc die-cast
Housing surface material	Nickel-plated
Height	34 mm

Electrical characteristics

Number of positions	8
Transmission speed	1 Gbps
Rated current	1.75 A
Dielectric strength	800 V (In accordance with DIN/EN 60603-7)

Standards and Regulations

Standards/regulations	IEC PAS 61076-3-117
-----------------------	---------------------

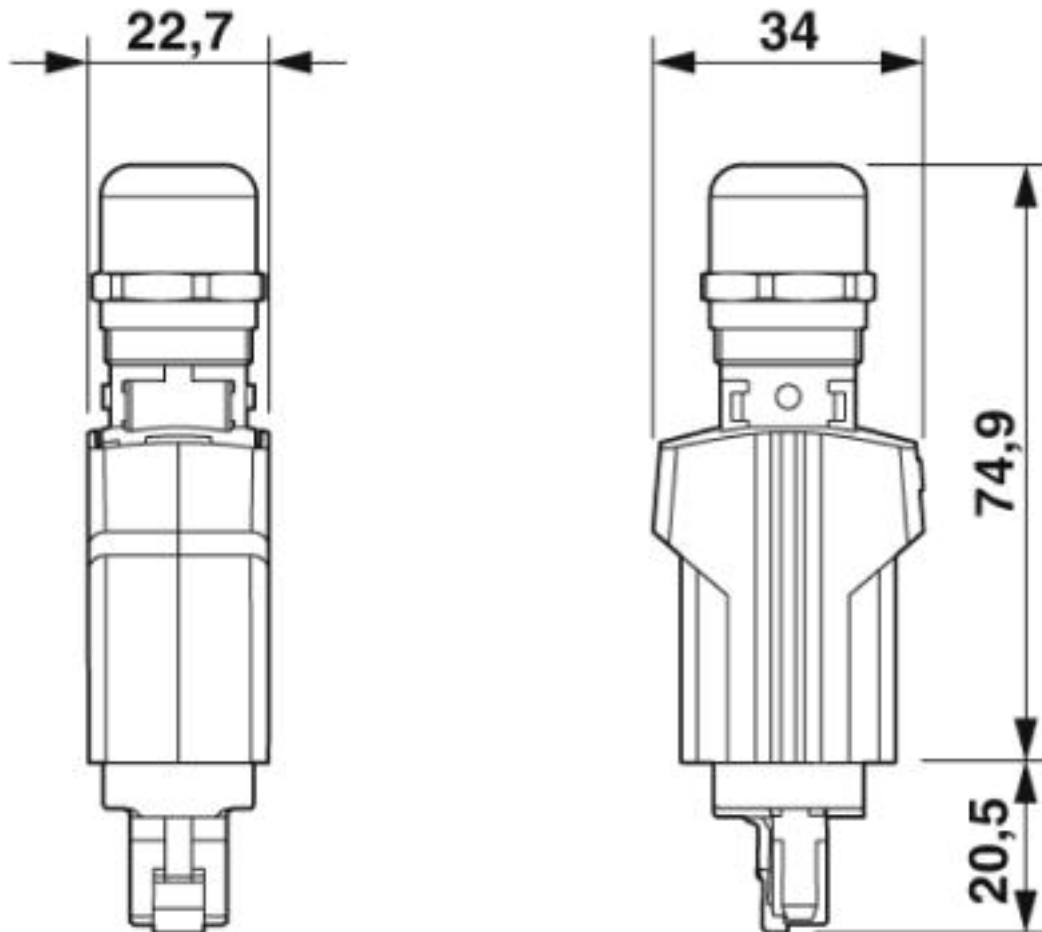
Environmental Product Compliance

China RoHS	Environmentally Friendly Use Period = 50
	For details about hazardous substances go to tab "Downloads", Category "Manufacturer's declaration"

Drawings

RJ45 connector - CUC-V14-C1ZNI-S/R4IE8 - 1407890

Dimensional drawing



Phoenix Contact 2019 © - all rights reserved
<http://www.phoenixcontact.com>

PHOENIX CONTACT GmbH & Co. KG
Flachsmarktstr. 8
32825 Blomberg
Germany
Tel. +49 5235 300
Fax +49 5235 3 41200
<http://www.phoenixcontact.com>