

# Flush-type connector - SACC-SQ-M12MS-8CON-20-L180 - 1408574

Please be informed that the data shown in this PDF Document is generated from our Online Catalog. Please find the complete data in the user's documentation. Our General Terms of Use for Downloads are valid (<http://phoenixcontact.com/download>)




Sensor/actuator flush-type connector, 8-pos. plug, M12, A-coded, front/square flange mounting, wave soldering

## Your advantages

- ✓ M12 PCB connector that can be soldered directly with integrated torsion protection and shield connection
- ✓ Easy PCB assembly: one-piece connectors for wave soldering
- ✓ Standard pin assignments for signal and power transmission with a uniform design-in design
- ✓ SPEEDCON fast locking system reduces cabling times



## Key Commercial Data

|                        |   |
|------------------------|---|
| Packing unit           | 10 pc   |
| Minimum order quantity | 10 pc   |
| GTIN                   | <br>4 046356 826457 |
| GTIN                   | 4046356826457   |

## Technical data

### Ambient conditions

|                                 |   |
|---------------------------------|---|
| Ambient temperature (operation) | -25 °C ... 85 °C (Plug / socket)                |
|                                 | -40 °C ... 85 °C (without mechanical actuation) |
| Degree of protection            | IP20  |

### General

|                       |  |
|-----------------------|--|
| Note                  | The electrical and mechanical data specified assume that the connector pair is correctly locked and mounted. If the connector is unlocked and if there is a danger of contamination, the connector must be sealed using a protective cap > IP54. Influences arising from litz wires, cables or PCB assembly must also be taken into consideration. |
| Rated current at 40°C | 2 A  |
| Rated voltage         | 30 V   |
| Rated surge voltage   | 0.8 kV   |

# Flush-type connector - SACC-SQ-M12MS-8CON-20-L180 - 1408574

## Technical data

### General

|                             |  |
|-----------------------------|--|
| Number of positions         | 8  |
| Insulation resistance       | ≥ 100 MΩ                                       |
| Coding                      | A - standard                                   |
| Standards/regulations       | M12 connector IEC 61076-2-101                  |
| Signal type/category        | Universal                                      |
| Status display              | No   |
| Overvoltage category        | III  |
| Degree of pollution         | 3  |
| Connection method           | Solder pins                                    |
| Insertion/withdrawal cycles | > 100  |
| Torque                      | 3 Nm ... 4 Nm (Installation-side)              |
| Mounting type               | Front mounting Square flange 20 mm side length |

### Material

|  |                           |
|--|---------------------------|
| Flammability rating according to UL 94 | V0                        |
| Contact material                       | CuZn                      |
| Contact surface material               | Au                        |
| Contact carrier material               | PA 6.6                    |
| Material, knurls                       | Zinc die-cast, tin-plated |
| Sealing material                       | FKM                       |

### Cable

|                                    |   |
|------------------------------------|---|
| Conductor cross section            | 0.25 mm <sup>2</sup>                            |
| Conductor structure signal line    | 14x 0.15 mm                                     |
| Core diameter including insulation | 1.15 mm ±0.07 mm                                |
| Thickness, insulation              | 0.21 mm   |
| Standards/specifications           | M12 connector IEC 61076-2-101                   |
| Insulation resistance              | ≥ 20 MΩ*km                                      |
| Conductor resistance               | ≤ 57.6 mΩ/m                                     |
| Nominal voltage, cable             | 300 V   |
| Test voltage, cable                | 2000 V AC                                       |
| Ambient temperature (operation)    | -40 °C ... 85 °C (cable, fixed installation)    |
|                                    | -25 °C ... 85 °C (cable, flexible installation) |

### Standards and Regulations

|  |                               |
|--|-------------------------------|
| Standards/specifications               | M12 connector IEC 61076-2-101 |
| Flammability rating according to UL 94 | V0                            |

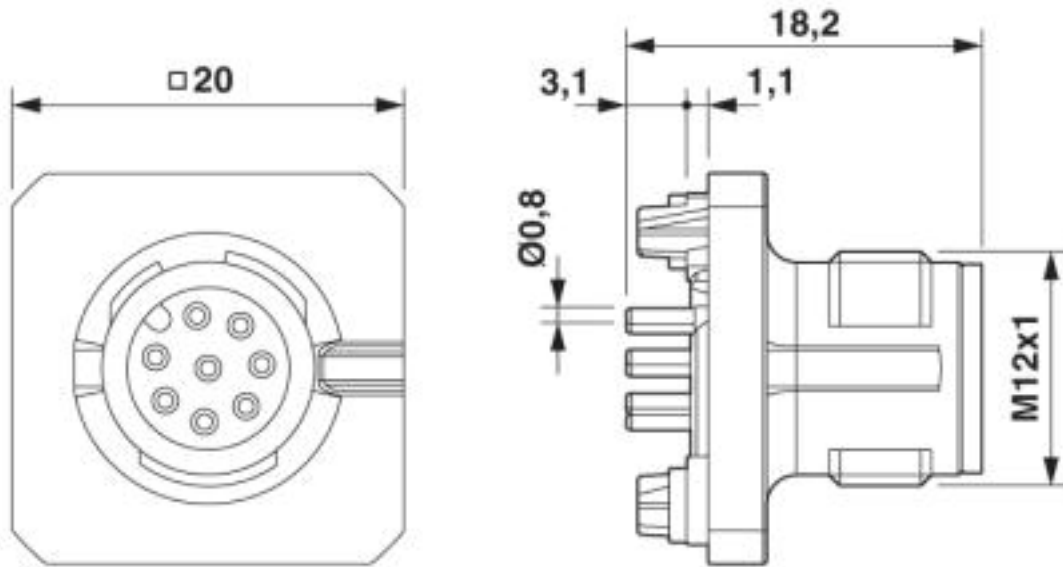
### Environmental Product Compliance

|            |   |
|------------|---|
| REACH SVHC | Lead 7439-92-1  |
| China RoHS | Environmentally Friendly Use Period = 50 years  |
|            | For details about hazardous substances go to tab "Downloads", Category "Manufacturer's declaration" |

# Flush-type connector - SACC-SQ-M12MS-8CON-20-L180 - 1408574

## Drawings

Dimensional drawing



M12 flush-type plug, square flange

## Classifications

### eCl@ss

|               |          |
|---------------|----------|
| eCl@ss 10.0.1 | 27440102 |
| eCl@ss 4.0    | 27140800 |
| eCl@ss 4.1    | 27140800 |
| eCl@ss 5.0    | 27143400 |
| eCl@ss 5.1    | 27143400 |
| eCl@ss 6.0    | 27279200 |
| eCl@ss 7.0    | 27440103 |
| eCl@ss 8.0    | 27440103 |
| eCl@ss 9.0    | 27440102 |

### ETIM

|          |          |
|----------|----------|
| ETIM 3.0 | EC002061 |
| ETIM 4.0 | EC002062 |
| ETIM 5.0 | EC002061 |
| ETIM 6.0 | EC002061 |

### UNSPSC

|               |          |
|---------------|----------|
| UNSPSC 6.01   | 31251501 |
| UNSPSC 7.0901 | 31251501 |
| UNSPSC 11     | 31251501 |

# Flush-type connector - SACC-SQ-M12MS-8CON-20-L180 - 1408574

## Classifications

### UNSPSC

|              |          |
|--------------|----------|
| UNSPSC 12.01 | 31251501 |
| UNSPSC 13.2  | 39121413 |
| UNSPSC 18.0  | 39121413 |
| UNSPSC 19.0  | 39121413 |
| UNSPSC 20.0  | 39121413 |
| UNSPSC 21.0  | 39121413 |

## Approvals

### Approvals

Approvals

UL Recognized / EAC / cULus Recognized

Ex Approvals

### Approval details

|                            |      |   |               |
|----------------------------|------|---|---------------|
| UL Recognized              |      | <a href="http://database.ul.com/cgi-bin/XYV/template/LISEXT/1FRAME/index.htm">http://database.ul.com/cgi-bin/XYV/template/LISEXT/1FRAME/index.htm</a> | FILE E 118976 |
| Nominal voltage UN         | 30 V |   |               |
| Nominal current IN         | 2 A  |   |               |
| mm <sup>2</sup> /AWG/kcmil | 24   |   |               |

|     |  |         |
|-----|--|---------|
| EAC |  | B.01687 |
|-----|--|---------|

|                            |       |   |                  |
|----------------------------|-------|---|------------------|
| cULus Recognized           |       | <a href="http://database.ul.com/cgi-bin/XYV/template/LISEXT/1FRAME/index.htm">http://database.ul.com/cgi-bin/XYV/template/LISEXT/1FRAME/index.htm</a> | E221474-20140616 |
| Nominal voltage UN         | 30 V  |   |                  |
| Nominal current IN         | 2 A   |   |                  |
| mm <sup>2</sup> /AWG/kcmil | 24-22 |   |                  |

## Accessories

### Accessories

## Flush-type connector - SACC-SQ-M12MS-8CON-20-L180 - 1408574

### Accessories

#### Protective cap

Sealing cap - PROT-M12 FS - 1560251



M12 sealing cap for unoccupied M12 plugs of the sensor/actuator cable, flush-type plugs and I/O devices in the field

---

Sealing cap - PROT-M12 FS-M - 1430488



M12 metal sealing cap for unoccupied M12 plugs of the sensor/actuator cable, flush-type plugs and I/O devices in the field

---

Phoenix Contact 2020 © - all rights reserved  
<http://www.phoenixcontact.com>

PHOENIX CONTACT GmbH & Co. KG  
Flachsmarktstr. 8  
32825 Blomberg  
Germany  
Tel. +49 5235 300  
Fax +49 5235 3 41200  
<http://www.phoenixcontact.com>