

# Housing set - HC-MOT-TML-SET - 1409066

Please be informed that the data shown in this PDF Document is generated from our Online Catalog. Please find the complete data in the user's documentation. Our General Terms of Use for Downloads are valid (<http://phoenixcontact.com/download>)



Motor connector for three-phase drive, metal housing with EMC sleeves incl. push-in contact insert, with screw connections (power and control circuit). With filler plugs in the control cable screw connection, 4-pos. control circuit, with star-delta bridge, with IP54 protective cover.

## Key Commercial Data

Packing unit	1 pc
GTIN	
GTIN	4046356619363

## Technical data

### General

Degree of pollution	3
Insertion/withdrawal cycles	≥ 100
Size	MOT
Conductor cross section	0.5 mm <sup>2</sup> ... 2.5 mm <sup>2</sup> (Power circuit)
	0.5 mm <sup>2</sup> ... 1.5 mm <sup>2</sup> (Control circuit)
Connection cross section AWG	20 ... 14
	20 ... 16
Stripping length of the individual wire	12 mm (Push-in Technology)
Minimum external conductor diameter	7 mm
Maximum external conductor diameter	14.5 mm

### Ambient conditions

Ambient temperature (operation)	-30 °C ... 100 °C
Degree of protection	IP67

### Material data

Seal material	EPDM
Housing material	GD-Zn
Contact material	Copper alloy

# Housing set - HC-MOT-TML-SET - 1409066

## Technical data

### Material data

Contact surface material	Ag (power)/Au (signal)
Material of contact surface, control contact	Au
Contact carrier material	PA

### Electrical characteristics

Rated voltage (III/3)	250 V (Signal)
Rated surge voltage	6 kV (Phase/housing power circuit)
	8 kV (Phase/phase power circuit)
	4 kV (Control circuit)
Rated current	16.5 A (power contacts)
	2.5 A (control contacts)

### Standards and Regulations

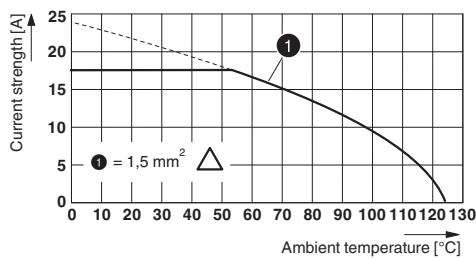
Flammability rating according to UL 94	V0
--	----

### Environmental Product Compliance

REACH SVHC	Lead 7439-92-1
China RoHS	Environmentally Friendly Use Period = 50
	For details about hazardous substances go to tab "Downloads", Category "Manufacturer's declaration"

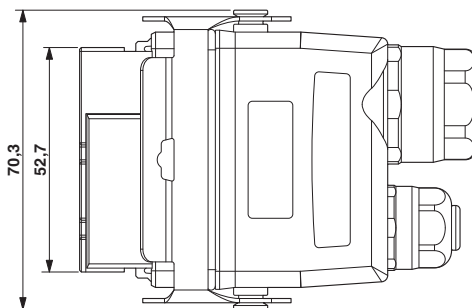
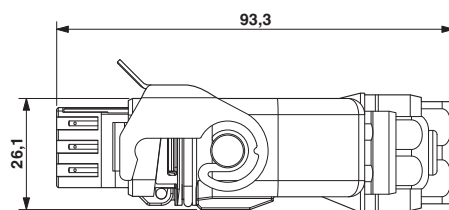
## Drawings

Diagram



Derating diagram

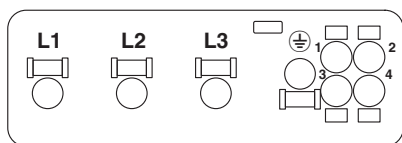
Dimensional drawing



Dimensional drawing

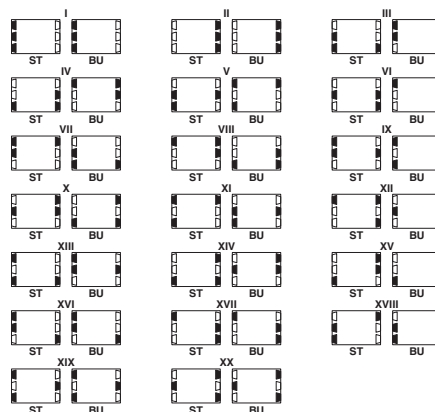
# Housing set - HC-MOT-TML-SET - 1409066

Schematic diagram



Connector pin assignment, connection side

Schematic diagram



Coding scheme

## Approvals

### Approvals

Approvals

UL Listed / cUL Listed / EAC / cULus Listed

Ex Approvals


### Approval details

UL Listed		<a href="http://database.ul.com/cgi-bin/XYV/template/LISEXT/1FRAME/index.htm">http://database.ul.com/cgi-bin/XYV/template/LISEXT/1FRAME/index.htm</a> E221474-20130720
Nominal voltage UN	600 V	
Nominal current IN	10 A	
mm <sup>2</sup> /AWG/kcmil	16	

cUL Listed		<a href="http://database.ul.com/cgi-bin/XYV/template/LISEXT/1FRAME/index.htm">http://database.ul.com/cgi-bin/XYV/template/LISEXT/1FRAME/index.htm</a> E221474-20130720
Nominal voltage UN	600 V	
Nominal current IN	10 A	
mm <sup>2</sup> /AWG/kcmil	16	

## Housing set - HC-MOT-TML-SET - 1409066

### Approvals

EAC		B.01742
-----	---	---------

cULus Listed		
--------------	---	--

Phoenix Contact 2019 © - all rights reserved  
<http://www.phoenixcontact.com>

PHOENIX CONTACT GmbH & Co. KG  
Flachsmarktstr. 8  
32825 Blomberg  
Germany  
Tel. +49 5235 300  
Fax +49 5235 3 41200  
<http://www.phoenixcontact.com>